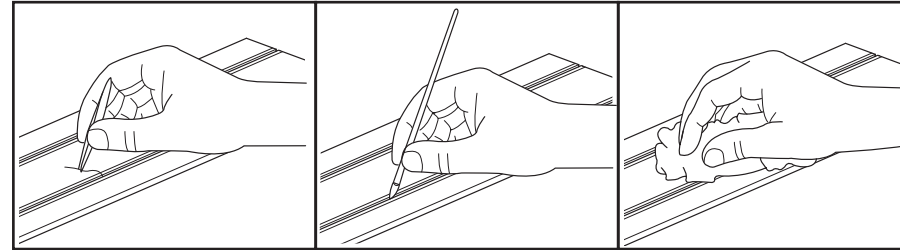




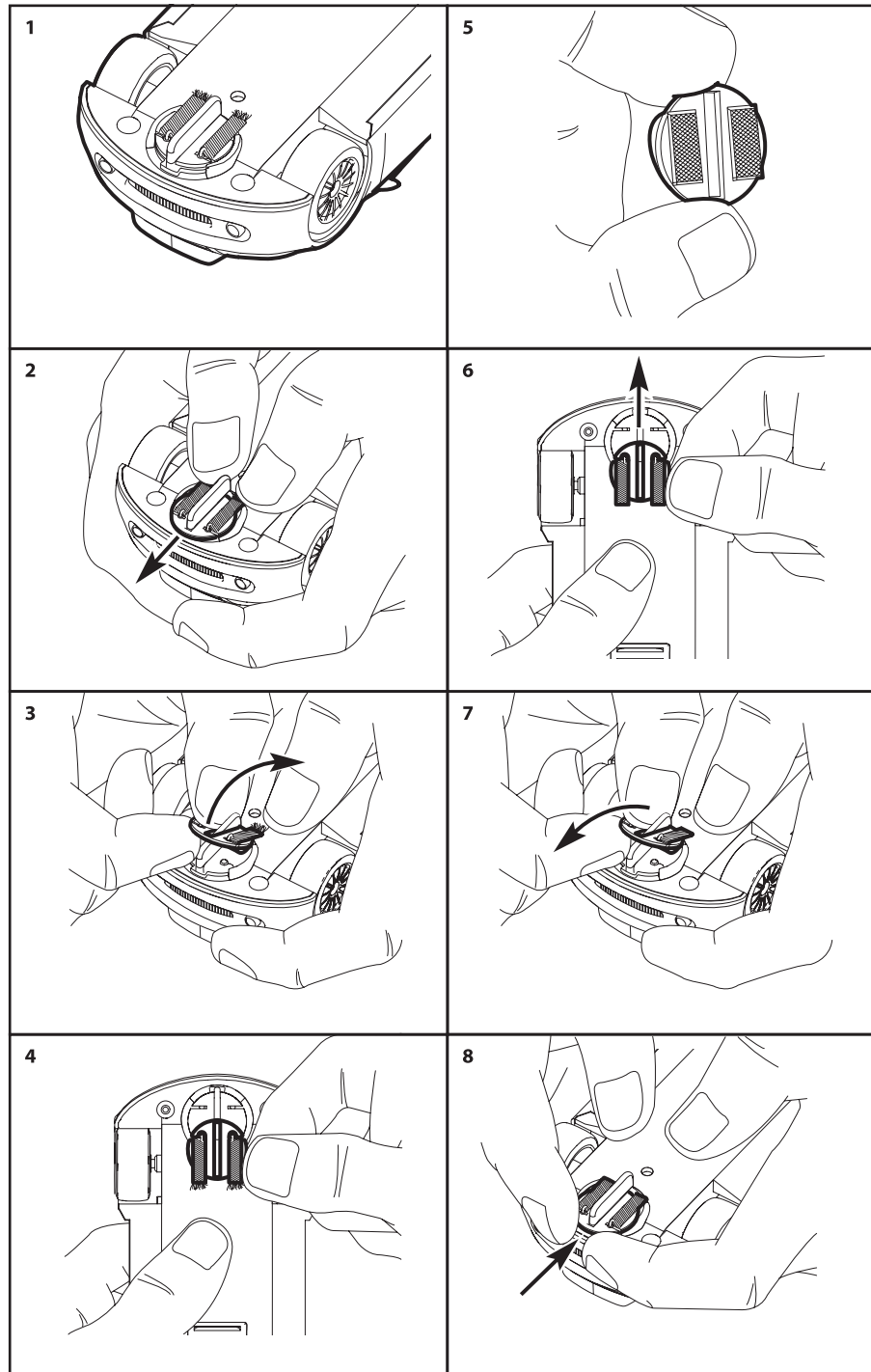
TRACK MAINTENANCE



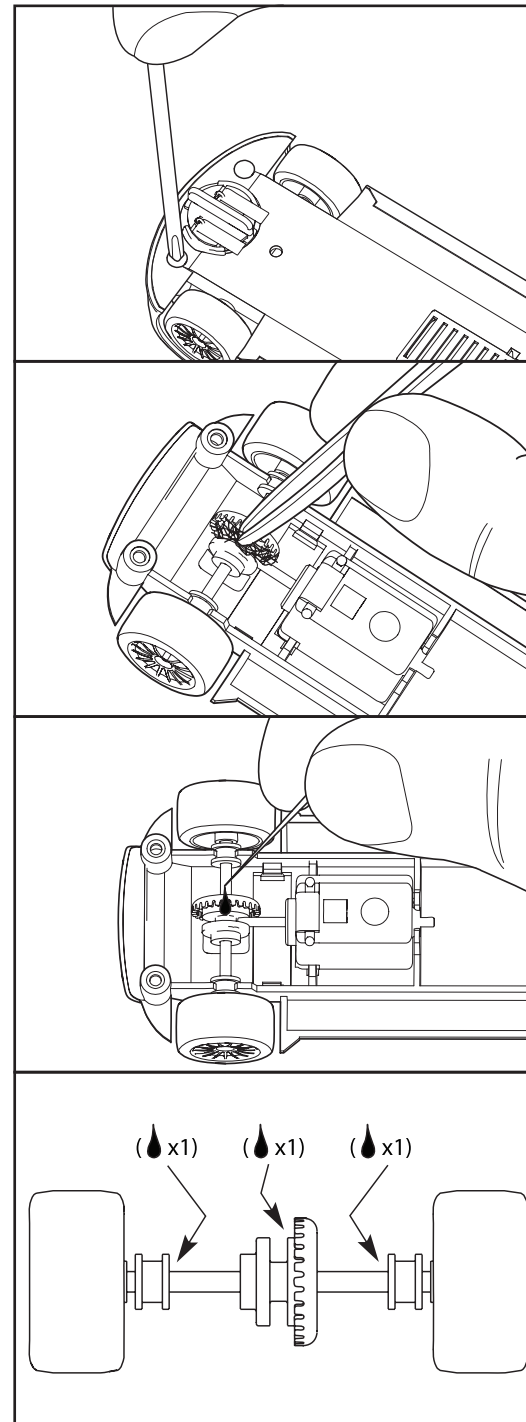
MAINTENANCE AND REPLACEMENT PARTS

Various spares and accessories are available from your Scalextric Dealer. Wheels and axles will need to be replaced as a complete assembly.
 Maintenance and replacement of worn parts must be performed by an adult. The removed parts must be kept out of the reach of children.
 A full list of Scalextric dealers is available on www.scalextric-usa.com.
 Two spare braid plates are included in this set. Further braid plates are available as spares pack C8312.

CHANGING THE BRAIDS



CAR MAINTENANCE



IMPORTANT:
 Please read "Notes to Parents"

CAUTION – ELECTRIC TOY
 NOT RECOMMENDED FOR CHILDREN UNDER 8 YEARS OF AGE. AS WITH ALL ELECTRIC PRODUCTS, PRECAUTIONS SHOULD BE OBSERVED DURING HANDLING AND USE TO PREVENT ELECTRIC SHOCK. INPUT: 120V – 60Hz – 16VA
 OUTPUT: 15VDC – 1.2A

Set Instructions

IMPORTANT – NOTES TO PARENTS

- This product is not suitable for children under 3 years of age because of small parts which can present a choking hazard. Some components have functional sharp points and edges – handle with care.
- This product is intended for indoor use only.
- **If the electric motor in the car is jammed, remove the car from the track and let it cool down. Do not touch the motor casing.**
- The transformer is not a toy. It is a "Transformer for Toys". Before use, check that the transformer is the correct voltage for your mains electricity supply. This set is only to be used with the recommended transformer. The transformer should be examined regularly for damage to the casing, plug pins and cables. **In the event of such damage, the set should not be used until the transformer is replaced with a new Hornby recommended unit. Never attempt to open the transformer yourself.**
- When new, hand controllers may become warm, emit vapour and give off a slight smell. These effects are normal due to the protective coating on internal parts and will disappear after use. However, they may return if the trigger is held continuously in a fixed position while racing.
- Before cleaning any part, disconnect the transformer from the mains electricity supply. Do not use liquid for cleaning.
- Please retain these details and the address for future reference.

LIMITED 90-DAY WARRANTY USA & CANADA

This warranty applies only to products purchased and used in the United States or Canada. To activate your warranty, please complete and return the registration card included with your set within 30 days of purchasing this product. Please retain this warranty and your receipt of purchase from an authorized Scalextric dealer.
 If the mechanisms of this product are found to be defective in materials or workmanship within 90 days from date of purchase, Hornby America shall undertake to either repair or replace the defective product free of charge. The decision whether to repair or replace the defective product is made by Hornby America at its sole discretion.
 This warranty applies only for private non-commercial use by the original registered purchaser. Tamper, accident, abuse, negligence, unauthorized repairs or other causes, unrelated to defective materials or workmanship, will void this warranty. This warranty does not cover consumable parts. The rights specified in this warranty shall be the sole and exclusive remedy of the purchaser for any claim under the warranty. Implied warranties, including the implied warranty of merchantability, are limited in duration to a 90 day period from date of purchase and are subject to the conditions set out herein. Hornby America is not liable for incidental or consequential damages resulting from the breach of any express or implied warranties.
 While this warranty gives you specific legal rights, you may also have other rights which vary from state to state and province to province.
 The answers to many technical questions can be found on the Scalextric website www.scalextric-usa.com. Please ensure that you have read the user instructions carefully. If you still have problems with your product, please contact:

HORNBY AMERICA, INC. Telephone: 877-270-9429 Toll Free
Email: technicalsupport@hornby.us

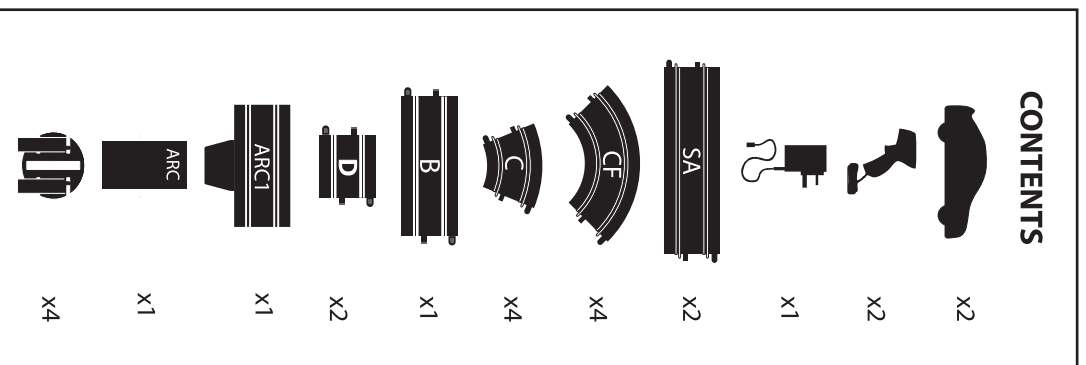
If our service representative is unable to resolve the problem by telephone or email, you may be instructed to return the product (freight prepaid) with your full details to:
HORNBY AMERICA INC, 3900-C2 INDUSTRY DRIVE EAST, FIFE, WA 98424, USA
 Prior authorization by Hornby America must be granted before returning any product. The repaired or replaced item will be returned to you freight prepaid (USA and Canada only) or made available to you for pick up at a convenient Scalextric dealer.

WARNING: CHOKING HAZARD Small parts. Not for children under 3 years.

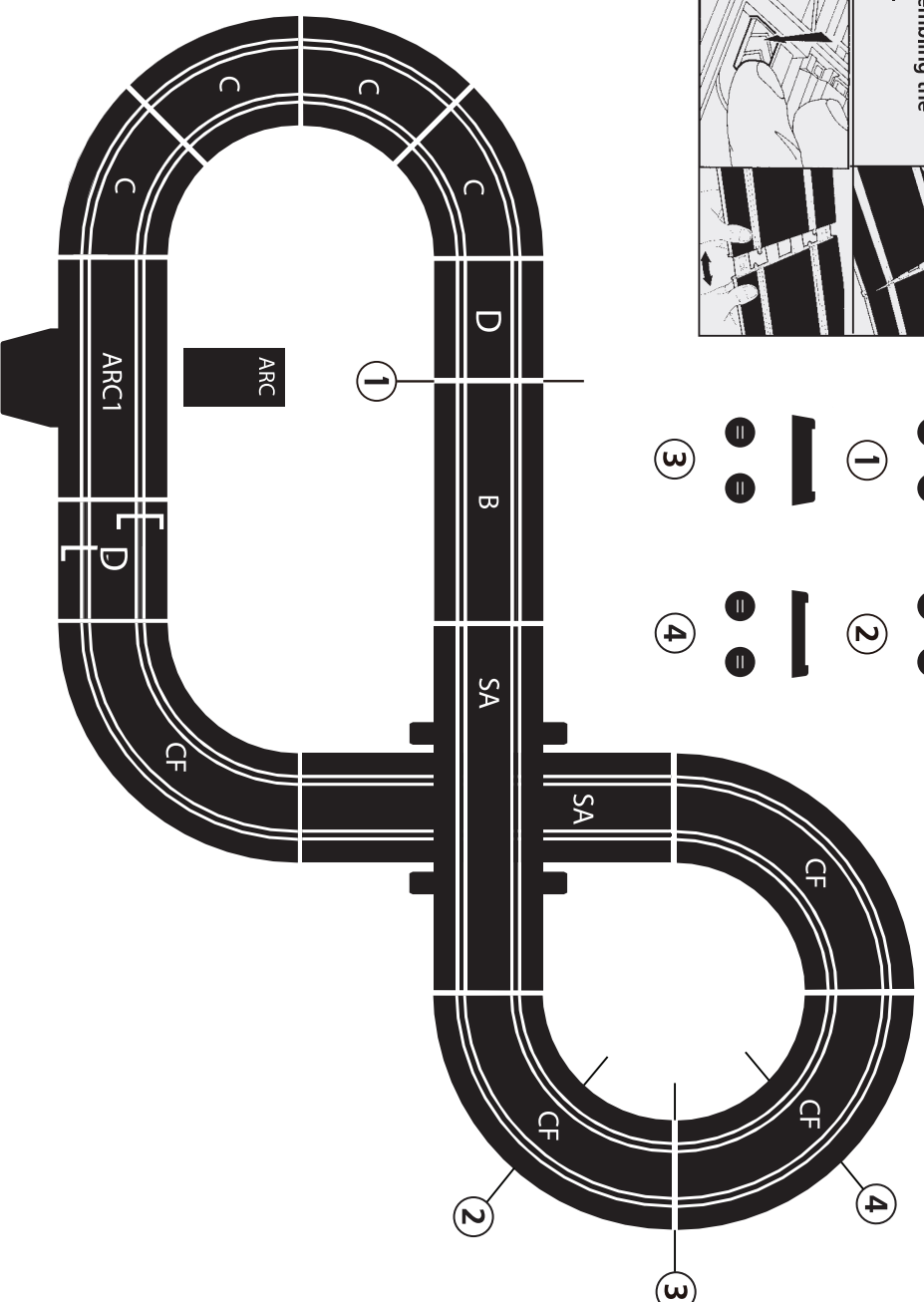
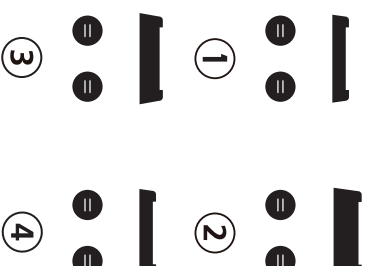
AGE 3 WATCH WITH ADULT SUPERVISION
AGE 4-7 OPERATE WITH ADULT SUPERVISION

AGE 8+

CONTENTS



Practise taking the track sections apart before assembling the complete layout.



Track reference codes shown on the track diagrams are marked on the underside of each track piece.

- 1 To get you started, follow the numbered illustrations to assemble the layout, using the circuit diagram as a guide.
! If track end clips have flattened during storage, adjust as shown in 1a to ensure that they fully engage when assembled.
- 2 Add the track supports under the track (if required) in the positions indicated on the track diagrams.
- 3 Insert the plug on the wall mounted transformer into the centre socket on the Powerbase and insert the hand controller plugs into the outer sockets marked 1 and 2. Switch on the power at the wall socket.

- 4 Place the cars onto the track ensuring that their guide blades are located fully in the track slots.
- 5 To race, gently squeeze the trigger on the hand controller to accelerate along the straights and release the trigger to slow down for the curves. The further the trigger is squeezed the faster the car will go.

- 6 For beginners the movement of the hand controller trigger can be restricted by using a screw driver to turn the small dial on the side of the controller until the two dots align.

Any problems?

- Most problems are easily cured by cleaning or adjusting the pick-up braids under the car and if necessary replacing the braid plate unit. Spare braid plate units are supplied in the set together with instructions on how to fit them.
- Check that the guide blade unit can rotate freely.
- Check that the cars are properly located in the slot and that both pick-up braids are making good contact with the track rails.
- If required adjust the position of the pick-up braids with a screwdriver or similar tool to ensure that they make good contact with the track rails.
- An old toothbrush is ideal for straightening or cleaning the braids.

If you still have problems

- Check that all 3 plugs are properly inserted into the powerbase.
- Check that the power is turned on at the wall socket.
- Check that both cars are not in the same slot.
- Check that you are operating the correct hand controller by trying the other one.
- Check that all the track sections are properly connected with good electrical connections throughout.
- Check the slots in the track for any debris that could cause the car guide blade to stick.
- Wipe the track with a clean, non-fluffy cloth. Do the same for the rear tyres of the cars. Never use abrasive materials or liquids for cleaning.
- Check that the rear wheels of the cars can turn freely. Check for any debris that could prevent free movement and that the axle has not been dislodged from its mounting clips.
- If the electric motor in the car becomes jammed, remove the car from the track and let it cool down. Do not touch the motor casing. Call the Customer Care Helpline for advice.

Short circuits

- There is a safety cut-out in the transformer that automatically switches off the power if there is a short circuit. If this happens, unplug the transformer, remove the cause of the short circuit, plug the transformer back in and switch it on. The cut-out will reset itself about 60 seconds after you have unplugged the transformer.
- To find the cause of the short circuit look in particular for any metal objects that might have fallen across the track rails or in the slot. Check that no loose strands of braid from the cars have fallen into the slot or wrapped around the wrong side of the car's guide blade.

If you keep crashing

- Remove any debris on the track or in the slot.
- Check that the car's pick-up braids are not pushing up the front of the car so that the guide blade cannot fit fully down into the slot.
- Maybe all you need to do is...slow down! Release the trigger as the car approaches the curves and squeeze the trigger gently when the car is on the straights.
- For beginners use the trigger movement restrictor on the hand controller to prevent excess speed.

