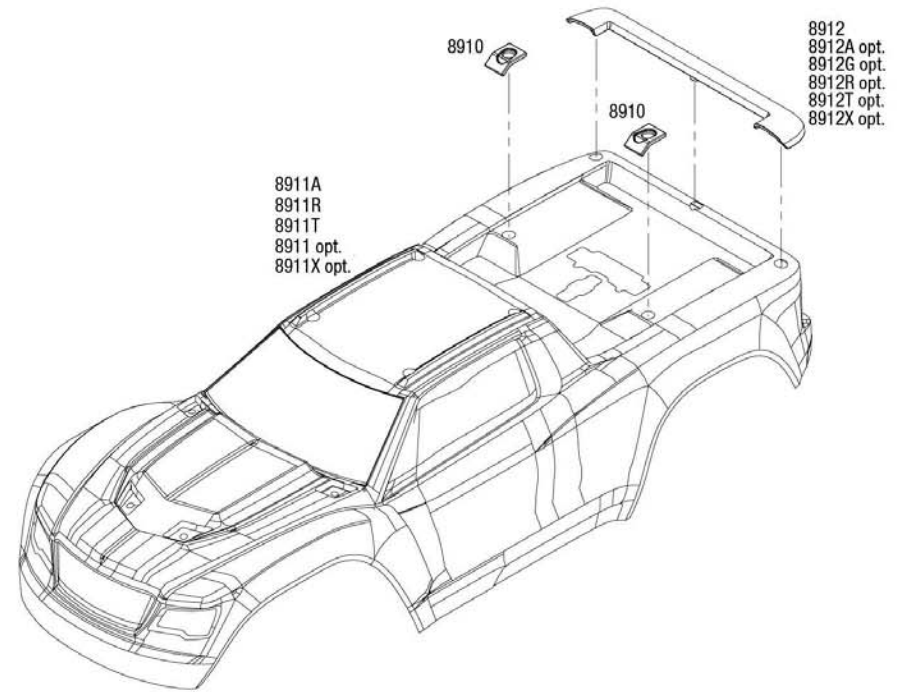
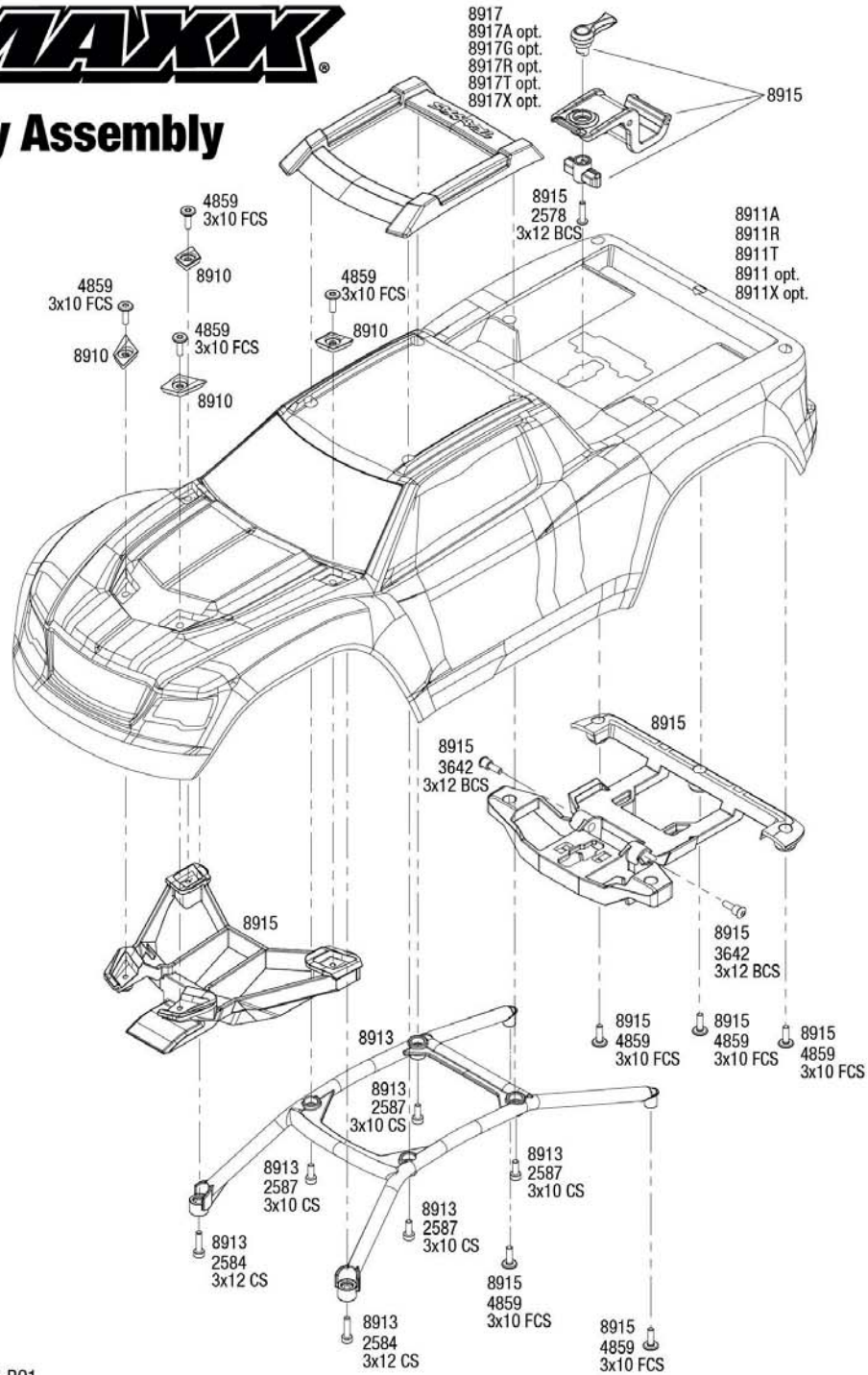
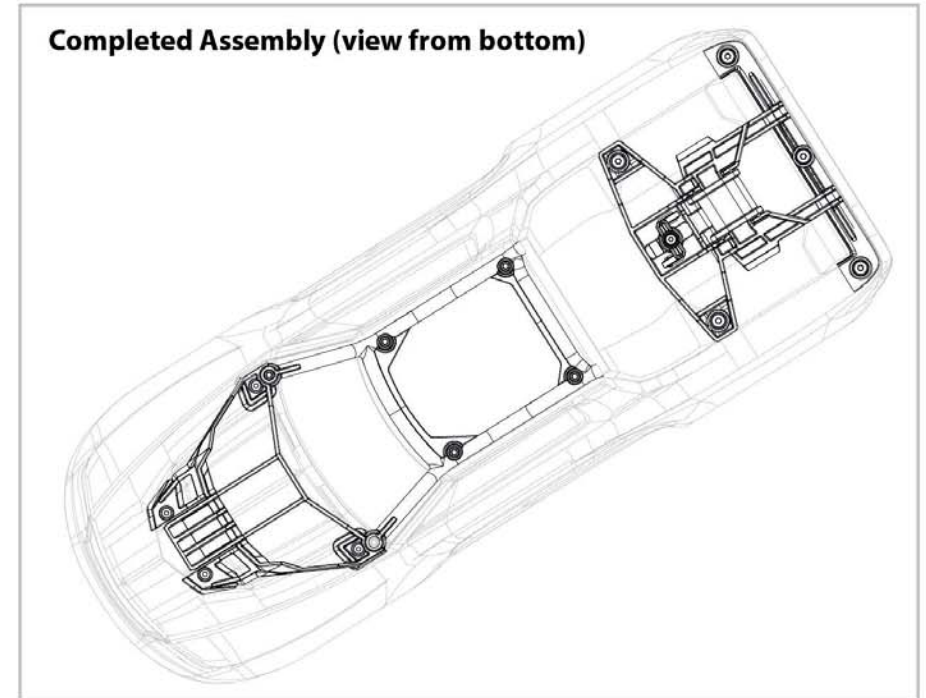




# Body Assembly



Completed Assembly (view from bottom)



REV 190918-R01

Specifications on this page are subject to change without notice. Every attempt has been made to ensure the accuracy of this drawing; however, Traxxas cannot be held responsible for typographical or other errors. See Parts List for a complete listing of optional accessories.

See Parts List for a complete listing of optional accessories.

