



LED Light Kit Installation Instructions (fits #8130 bodies)

Covers Parts #8038, 8039

#8038 Kit Contents:

- LED lighting module
- Distribution block
- Distribution block mount
- Headlight harness assembly
- Tail light harness
- Jumper
- Headlight reflector (2)
- 2.6x8mm button-head screws (2)
- 2.5x15mm cap screws (2)
- Zip ties (10)
- Zip tie mount (2)
- Double-sided adhesive foam tape

#8039 Kit Contents:

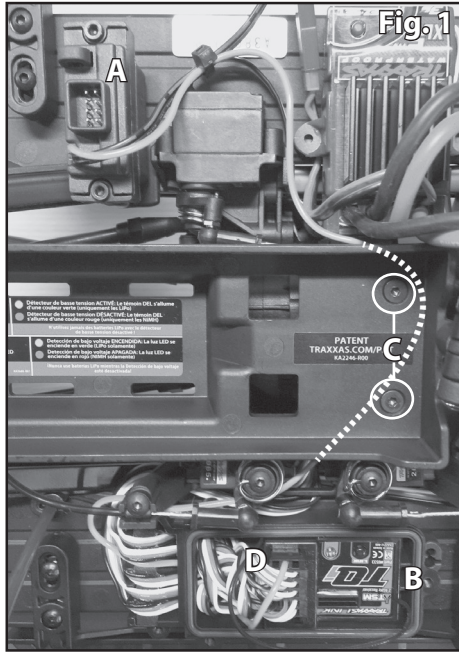
- Distribution block
- Distribution block mount
- Headlight harness assembly
- Tail light harness
- Jumper
- Headlight reflector (2)
- 2.6x8mm button-head screws (2)
- Zip ties (10)
- Zip tie mount (2)
- Double-sided adhesive foam tape

Tools required:

- 2.0mm hex wrench
- 1.5mm hex wrench
- Side cutters (to trim zip ties)

LED Lighting Module Installation (Fig. 1) (#8038 Kit only):

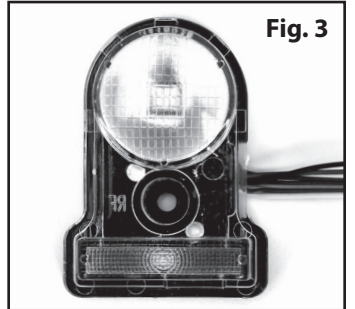
1. Install the LED lighting module (A) on the left chassis floor pan. Secure with the 2.5x15mm cap screws (2).
2. Remove the screws from the receiver box cover and wire clamp; remove the cover and clamp (B).
3. Remove the two 3x10mm countersunk cap screws from the battery tray (C).
4. Lift up the battery tray and route the red wire (male connector) from the LED lighting module to the right side of the chassis, between the two T-Lock servos, and through the hole in the receiver box. Plug the connector into channel 1 of the receiver (D). **Note:** The connector can be plugged into any non-telemetry channel on the TQi receiver.
5. Apply an additional bead of silicone grease (Traxxas part #1647, sold separately) to the wire clamp. The grease will improve sealing. Reinstall the clamp and screws.



6. Make sure the o-ring is properly seated into the groove in the receiver box so that the cover will not pinch it or damage it in any way.
7. Install the cover and screws. Inspect the cover to make sure the o-ring seal is not visible.
8. Reinstall the screws in the battery tray.
9. Connect the black wire (red female connector) from the LED lighting module to the red wire (male connector) exiting the XL-5 HV electronic speed control.

LED Headlight Installation (Fig. 6)

1. Remove the 2.5x6mm button-head screw from each headlight assembly and remove the assemblies (E) from the grille (see Assembly Diagram, Fig. 6). Retain and reuse the plastic headlight mounts and hardware.
2. Install the chrome reflectors (F) (2) onto the circuit boards of the LED headlight harnesses (G) (Fig. 2). **Note:** The reflectors must be installed correctly to sit flat against the circuit boards. Align the keying features (pegs on the reflectors with holes in the circuit boards). Also, there is a notch on the bottom side of the reflectors for clearance of the wires on the circuit boards.
3. Install the circuit boards into the existing plastic headlight mounts (H); then, install the headlight lens (I) over the chrome reflectors and onto the circuit boards (Fig. 3). **Note:** Align the keying features (pegs on the lens with holes in the circuit boards and headlight mounts).
4. Install complete left and right headlight assemblies into the front grille and secure with the 2.5x6mm button-head screws removed during disassembly.
5. Snap the LED side marker lights into the receptacles near each headlight.



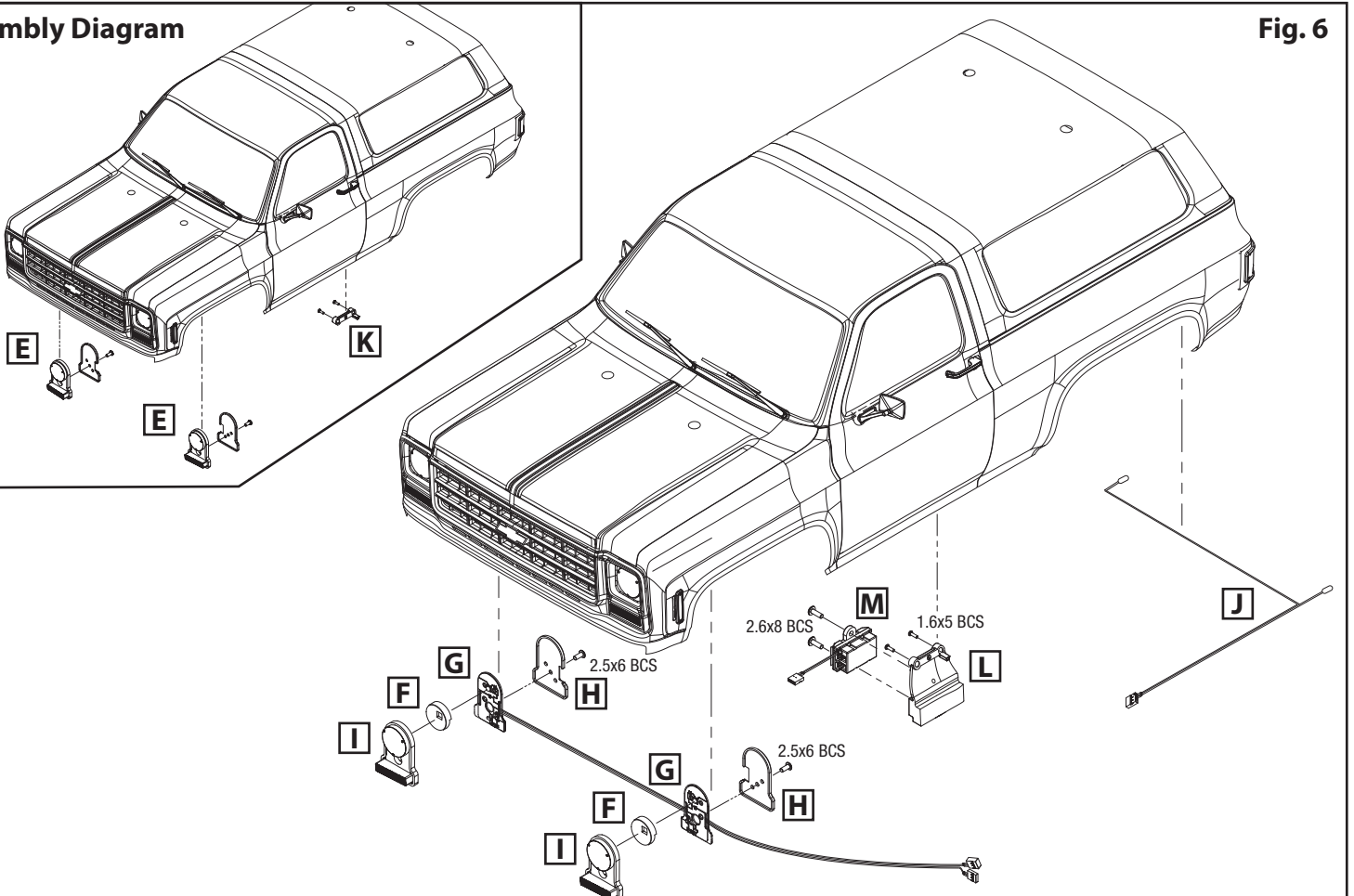
LED Tail Light Installation (Fig. 6)

- Note:** The tail light harness (J) has 5mm LEDs with a red color band near the connector and has a long and short wire lead.
1. Install the short wire of the harness on the left side (driver side) of the vehicle body.
 2. Snap the tail light LEDs into the tail light receptacles.

Wire Routing (Fig. 7)

When installing the LED light harnesses, note where the installation begins and ends in the Wiring Diagram (Fig. 7). Install the included zip tie mounts and use zip ties to secure the wiring to the body in the locations provided. The zip ties do not need to be tight; allow some slack for wire movement.

Assembly Diagram



Distribution Block Installation

1. Remove the 1.6x5mm button-head screws (2) from the driver side (left side) door handle mount (K). Remove the mount.
2. Peel the backing from the included adhesive foam tape and attach it to the flat surface on the back of the distribution block mount (L) (Fig. 4). *Do not remove the backing from the other side of the tape yet.*
3. Install the distribution block mount and secure with the 1.6x5mm button-head screws (2) as shown in Fig. 5.
4. Gently flex the body away from the distribution block mount and remove the backing from the other side of the foam tape. Press the body against the mount to adhere it to the mount.
5. Plug the connectors from the LED light wire harnesses into the ports of the distribution block (M). Match the color band on the wire harnesses with the corresponding color of each port indicator on the distribution block (white for headlights and front side marker lights, red for tail lights).
6. Plug the included jumper into the green port of the distribution block as indicated (see Wiring Diagram, Fig. 7). **Note:** The jumper will allow the LED lights to go into full power (high beam) mode. The jumper is not required for the LED lights to function (the lights will remain in low power (low beam) mode if the jumper is not used).

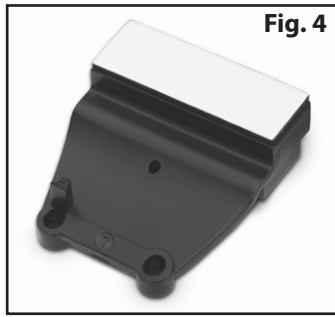


Fig. 4

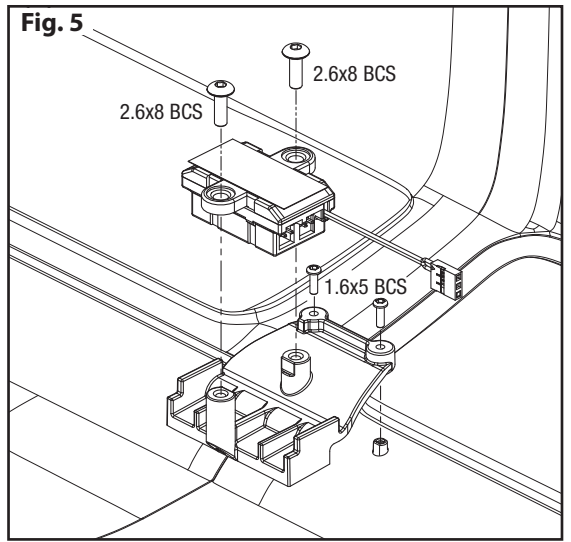
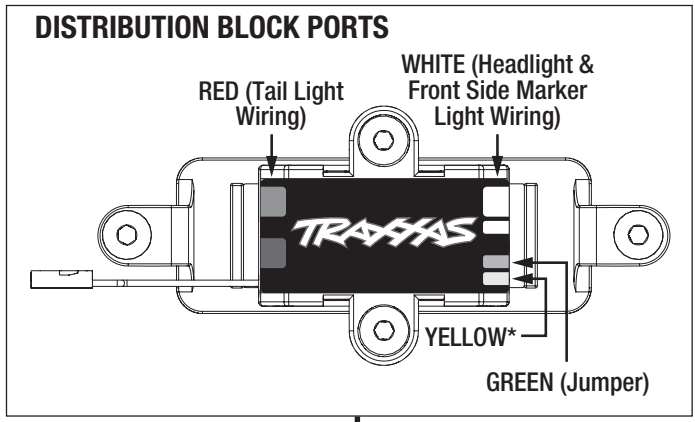
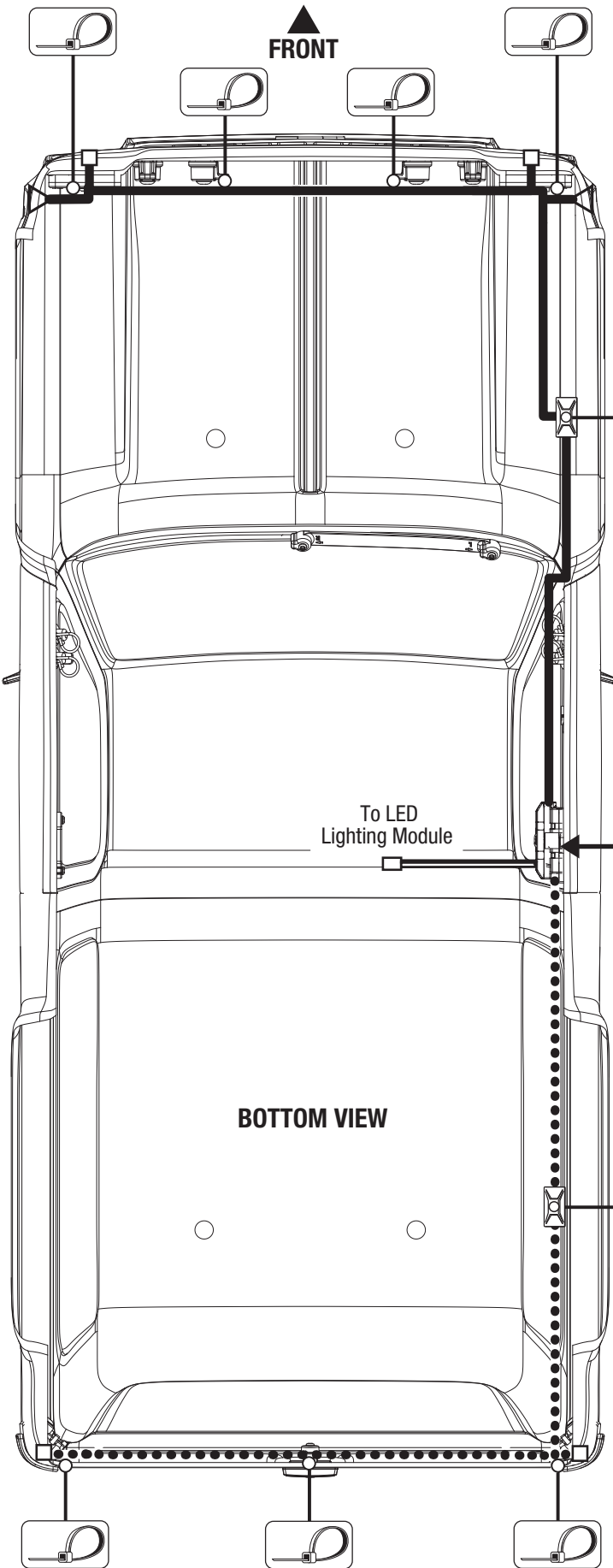


Fig. 5

Wiring Diagram

Fig. 7



*For use with optional accessories.
Not used with this LED light kit.

