



Front Bumper Installation - 1979 Ford® Bronco® and 1979 Chevrolet® Blazer®

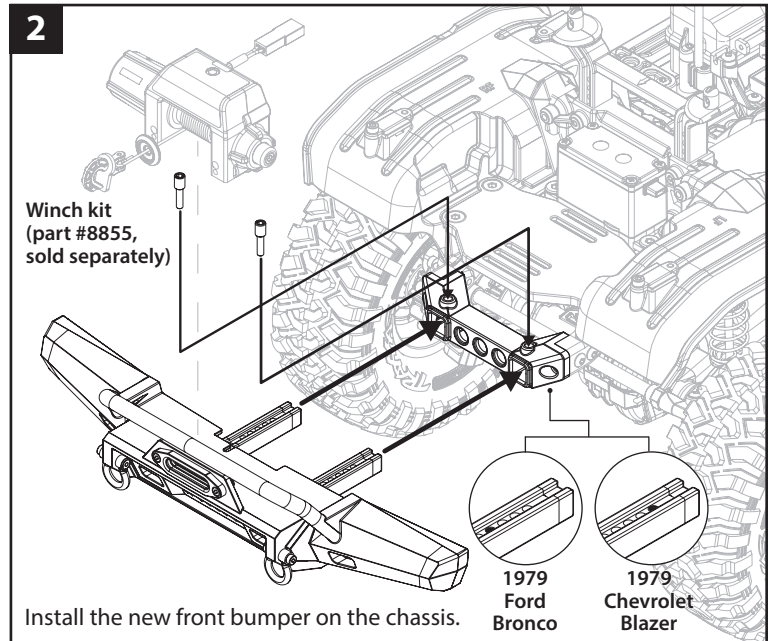
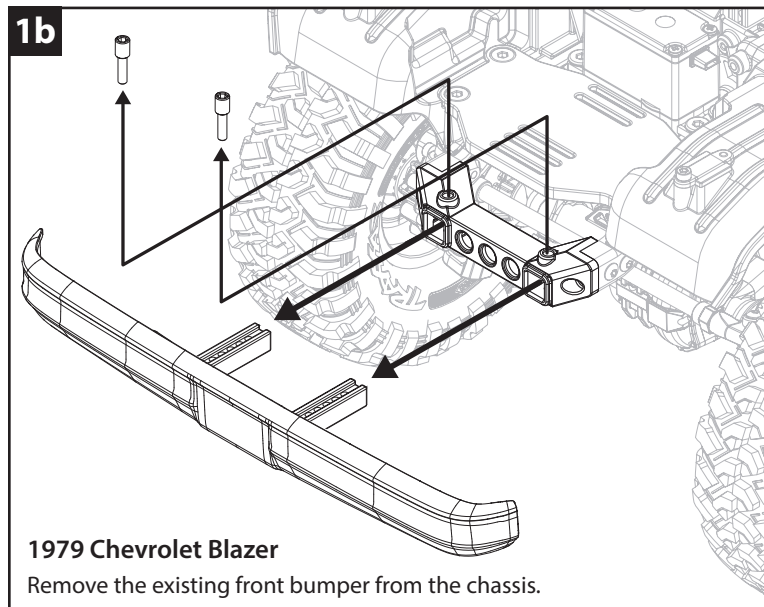
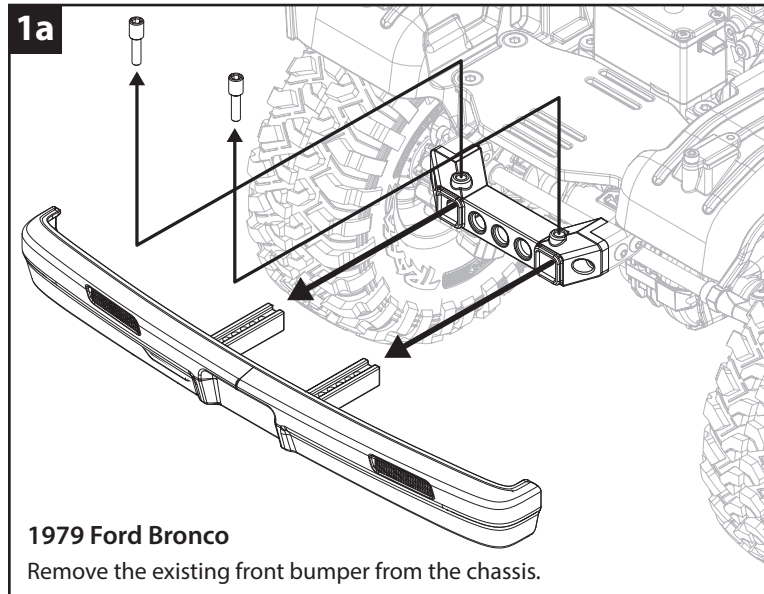
Covers Part #8867

Kit contents:

- Front bumper with bumper mount, D-Rings, and fairlead

Tools required:

- 2mm hex wrench



Your new front bumper is designed to work with the 8088 LED light bar (sold separately). Install it on the bumper as shown below. *The 8028 LED lighting module (also sold separately) is required to provide power to the light bar.*

