



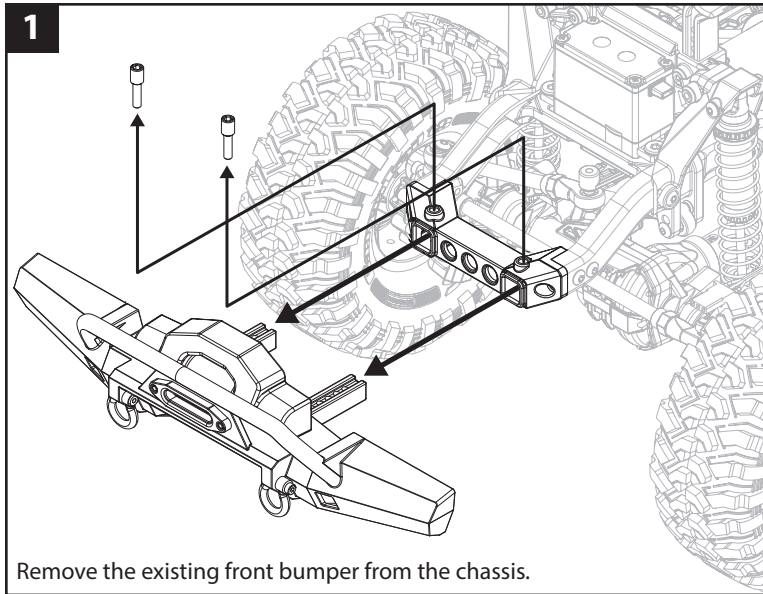
## Front Bumper Installation - Land Rover® Defender® and Tactical Unit Covers Part #8865

### Kit contents:

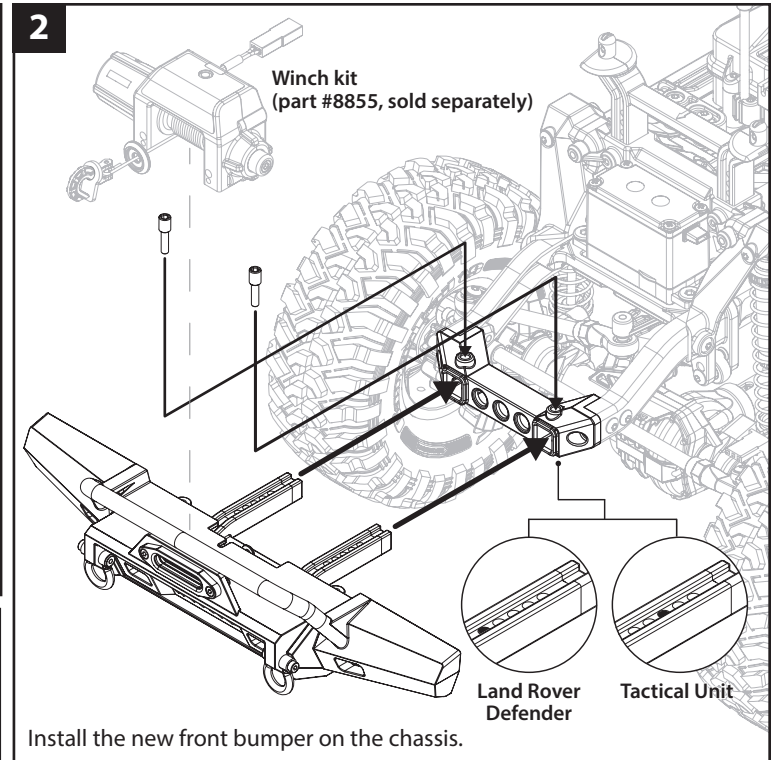
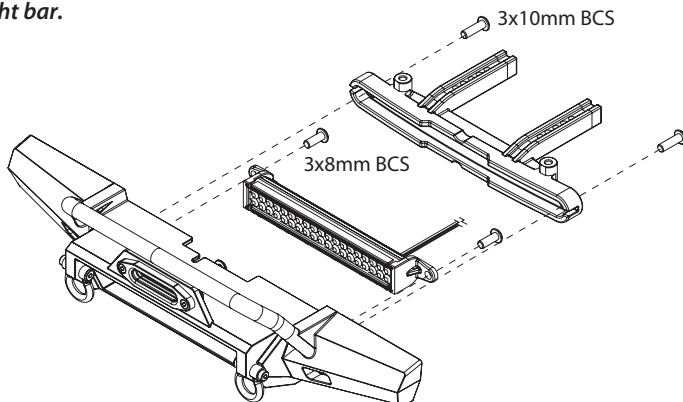
- Front bumper with bumper mount, D-Rings, and fairlead

### Tools required:

- 2mm hex wrench



Your new front bumper is designed to work with the 8088 LED light bar (sold separately). Install it on the bumper as shown below. *The 8028 LED lighting module (also sold separately) is required to provide power to the light bar.*



If you have questions or need technical assistance, call Traxxas at

## 1-888-TRAXXAS

(1-888-872-9927) (U.S. residents only)