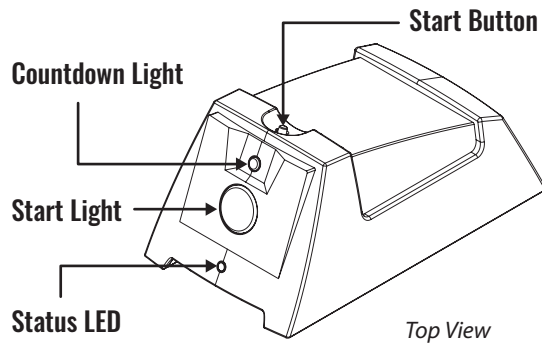




No-Prep Drag Racing Start Light Operating Instructions

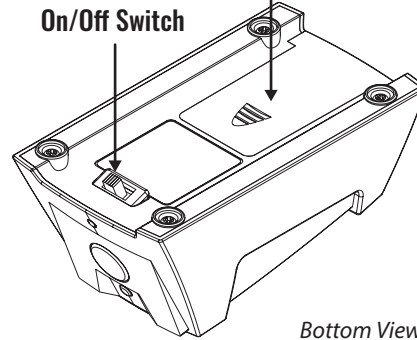
Covers Part #6595

DRAG START LIGHT COMPONENTS



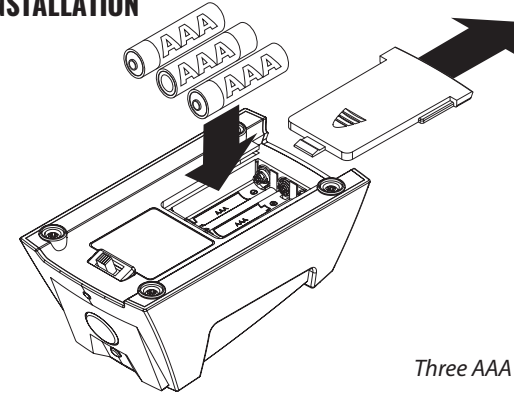
Top View

Battery Compartment



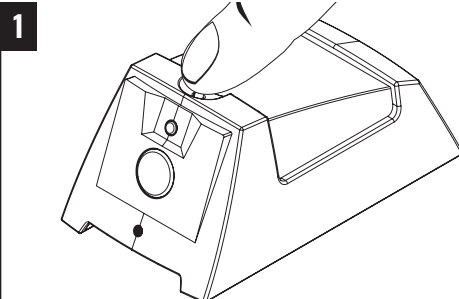
Bottom View

BATTERY INSTALLATION



Three AAA batteries required

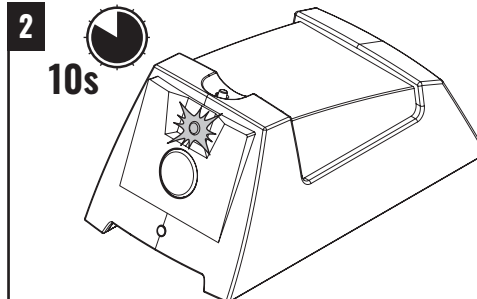
STARTING A RACE (AUTOMATIC LIGHT SEQUENCE)



1

ACTIVATE THE LIGHT SEQUENCE

Switch on the Drag Start Light (status LED is green). Press the **Start Button**; the status LED will turn off.

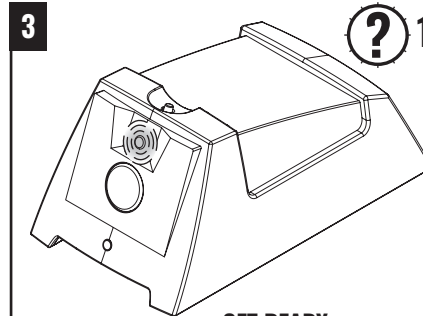


2

10s

STAGE YOUR VEHICLE

The **Countdown Light** will blink for 10 seconds while racers get into position, and then shine solid.

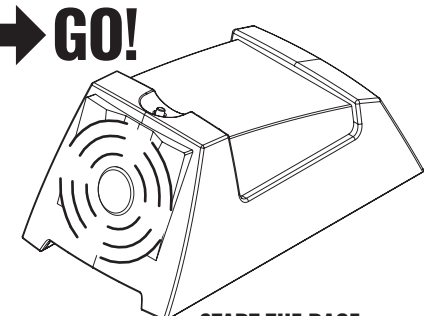


3

? 1s-6s

GET READY

Once the **Countdown Light** stops flashing, the **Start Light** will illuminate at a random time between 1 and 6 seconds to start the race.



GO!

START THE RACE

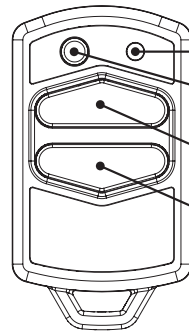
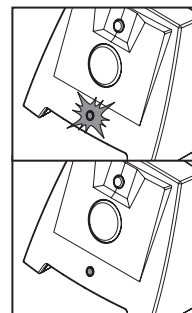
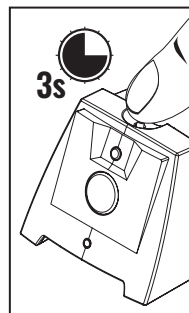
Note: An active light sequence can be canceled at any time by pressing the **Start Button**.

USING THE DRAG START LIGHT WITH THE OPTIONAL WIRELESS REMOTE

(Part #8857, sold separately)

Bind the Wireless Remote to the Drag Start Light Unit

1. Press and hold the **Start Button** on the Drag Start Light unit for 3 seconds; the status LED will blink green.
2. Press and release either the **Countdown** or **Start Button** on the wireless remote. The status LED will turn solid green to indicate that the unit and remote are now bound and ready for use.



Channel Indicator/
Activity LED
Channel Select
Button
Countdown Button
Start Button

MANUALLY STARTING A RACE USING THE REMOTE

1. Press and release the **Countdown Button** on the remote. The **Countdown Light** will illuminate (not flashing).
2. Press the **Start Button** to illuminate the **Start Light** and start the race.
3. The **Start Light** will remain on until the **Start Button** is released.

STARTING THE AUTOMATIC LIGHT SEQUENCE USING THE REMOTE

1. Press and hold the **Countdown Button** on the remote for 3 seconds.
2. The automatic light sequence will start on the drag start light unit.

If you have questions or need technical assistance, call Traxxas at

1-888-TRAXXAS

(1-888-872-9927) (U.S. residents only)