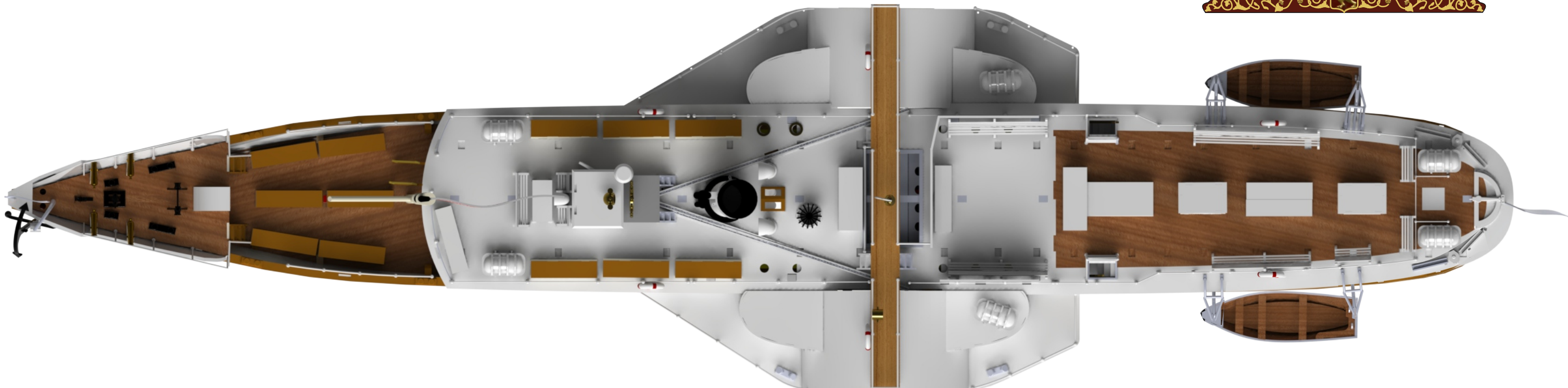


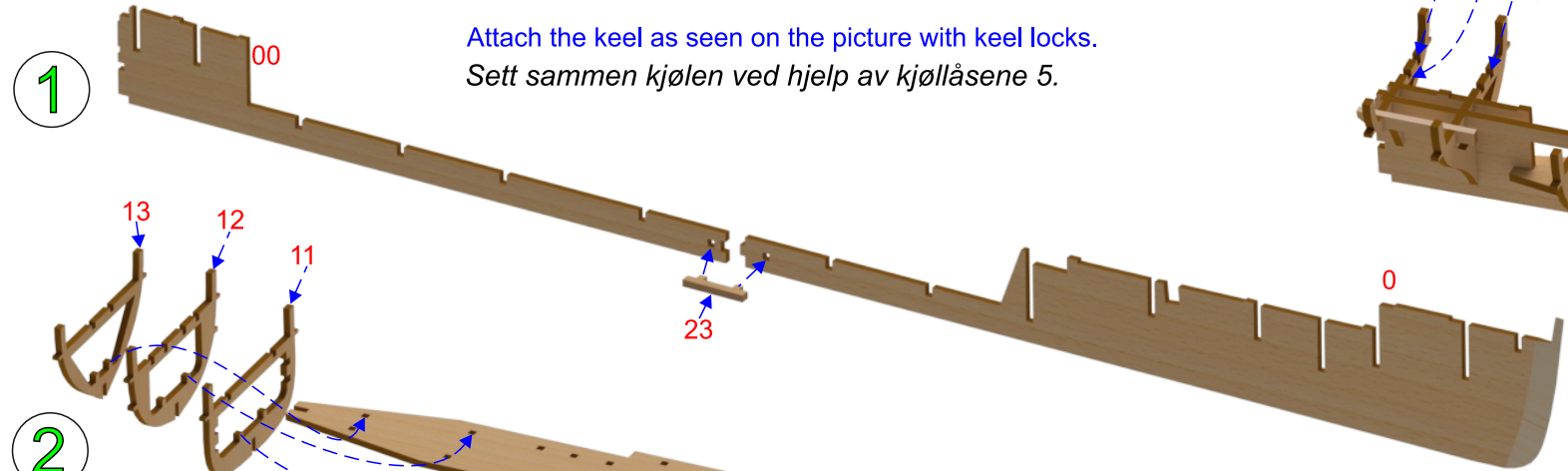
**modell-tec**  
D/S SKIBLADNER 1/60



	PRIMER	GRUNNING
	CLEAR WARNISH	KLAR LAKK
	WHITE	HVIT
	BLACK	SVART
	YELLOW	GUL
	RED	RØD
	BROWN	BRUN
	BRASS	MESSING

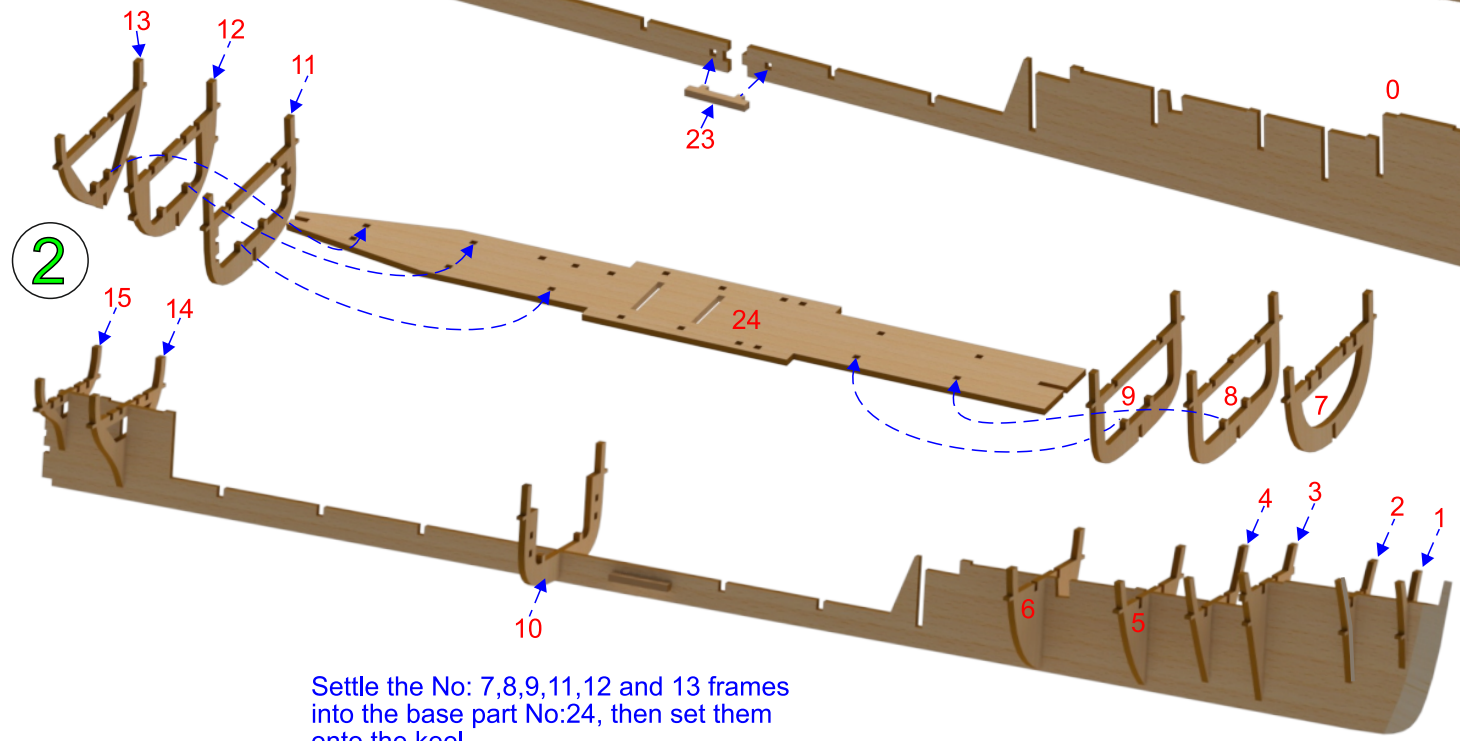


1



Attach the keel as seen on the picture with keel locks.  
Sett sammen kjølen ved hjelp av kjøllåsene 5.

2



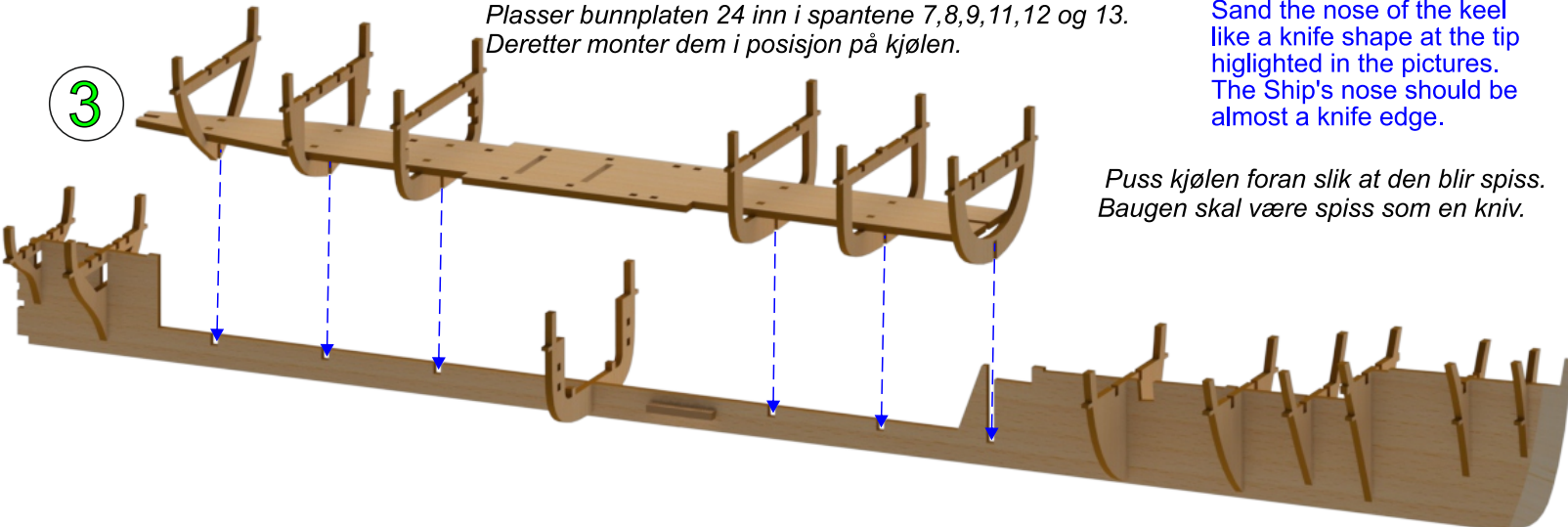
Settle the No: 7,8,9,11,12 and 13 frames into the base part No:24, then set them onto the keel.

Plasser bunnplaten 24 inn i spantene 7,8,9,11,12 og 13. Deretter monter dem i posisjon på kjølen.

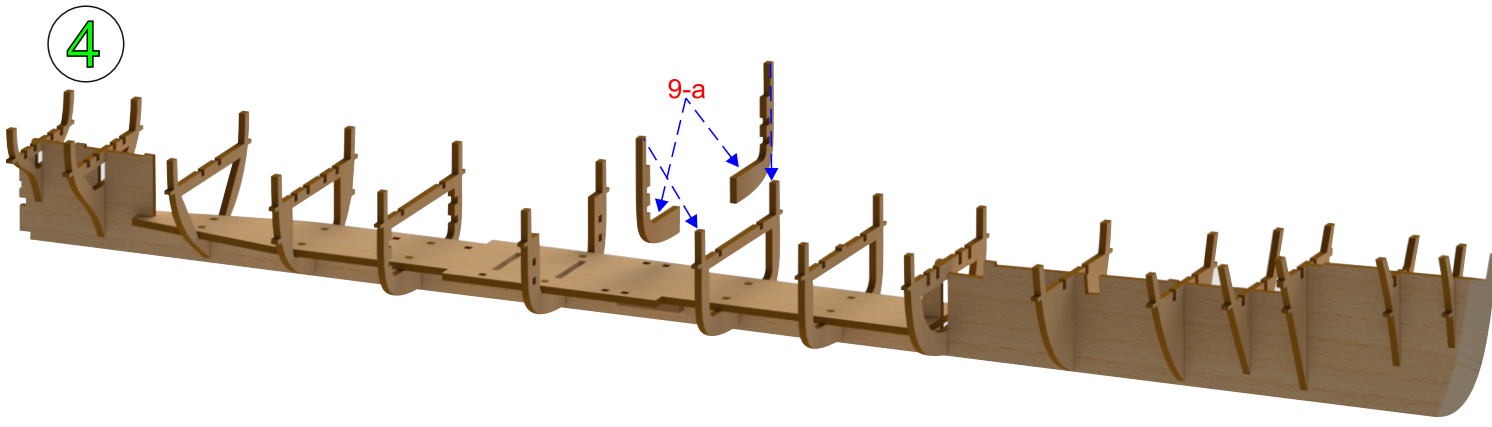
Sand the nose of the keel like a knife shape at the tip highlighted in the pictures. The Ship's nose should be almost a knife edge.

Puss kjølen foran slik at den blir spiss. Baugen skal være spiss som en kniv.

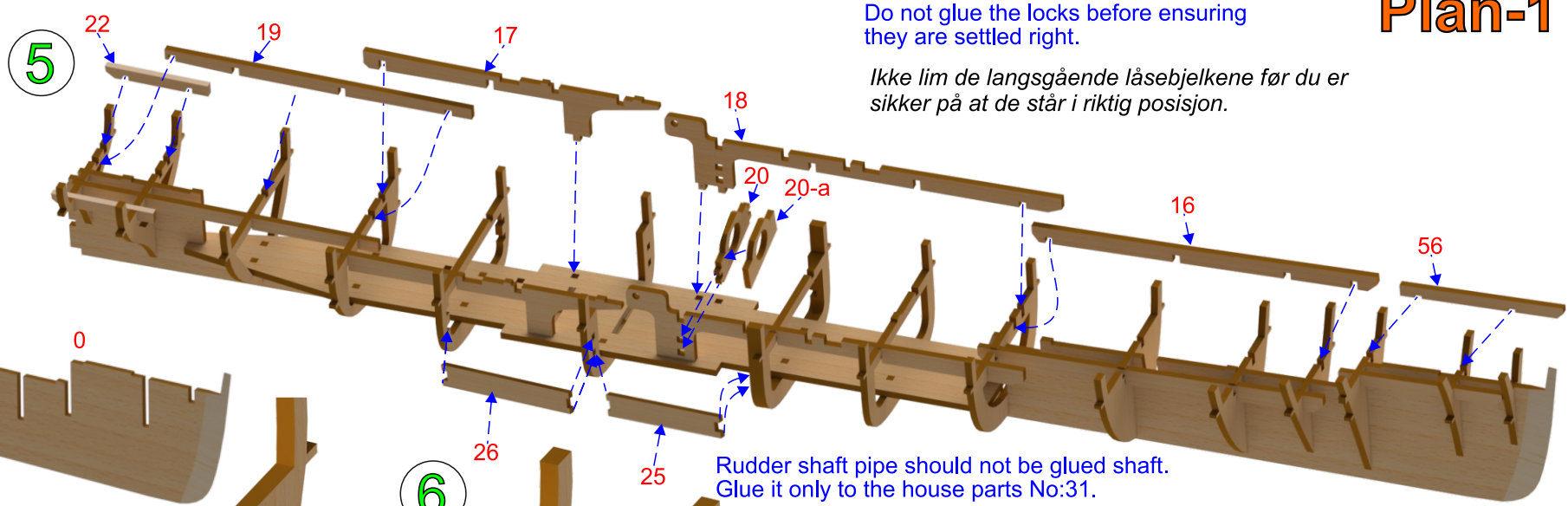
3



4



5

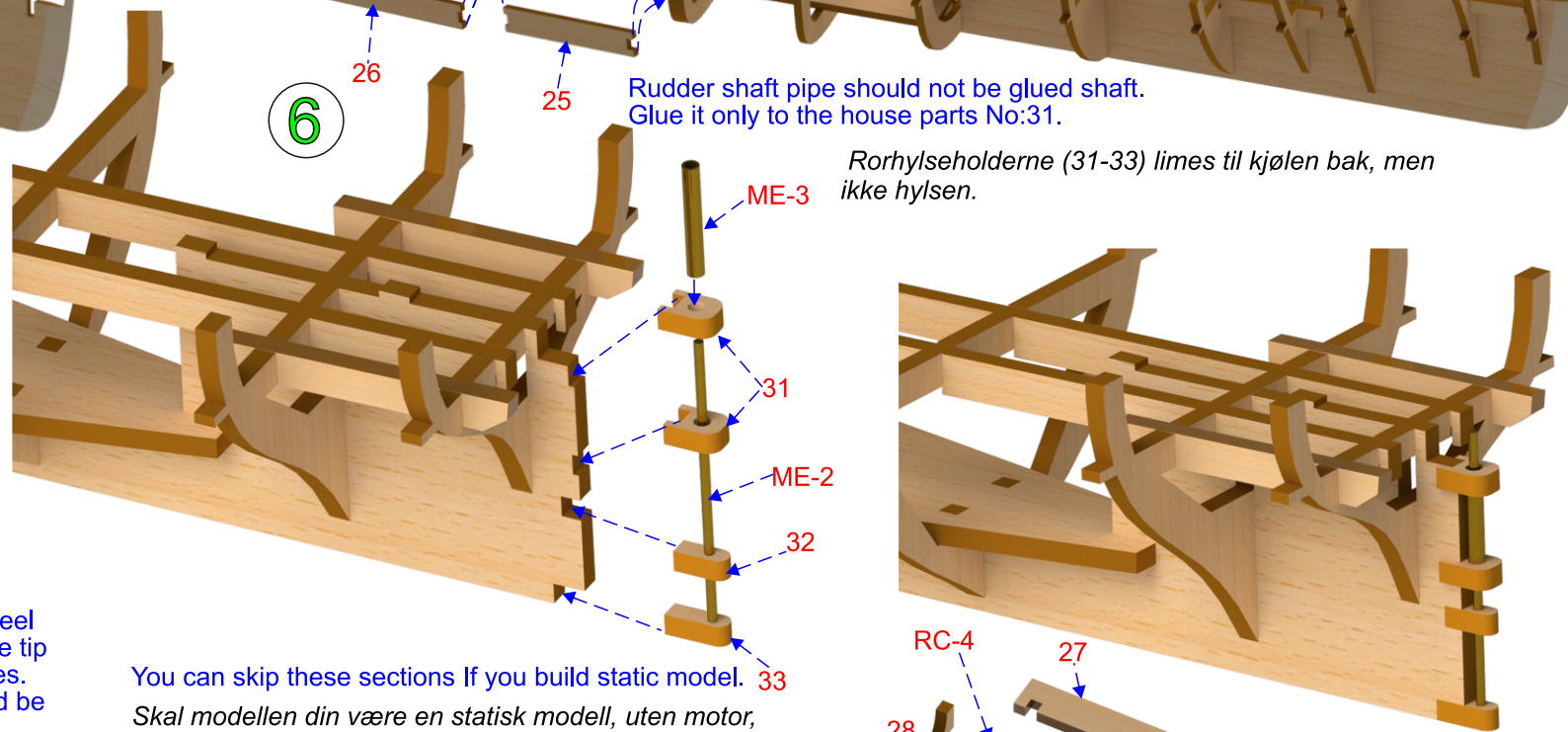


Rudder shaft pipe should not be glued shaft. Glue it only to the house parts No:31.

Do not glue the locks before ensuring they are settled right.

Ikke lim de langsgående låsebjelkene før du er sikker på at de står i riktig posisjon.

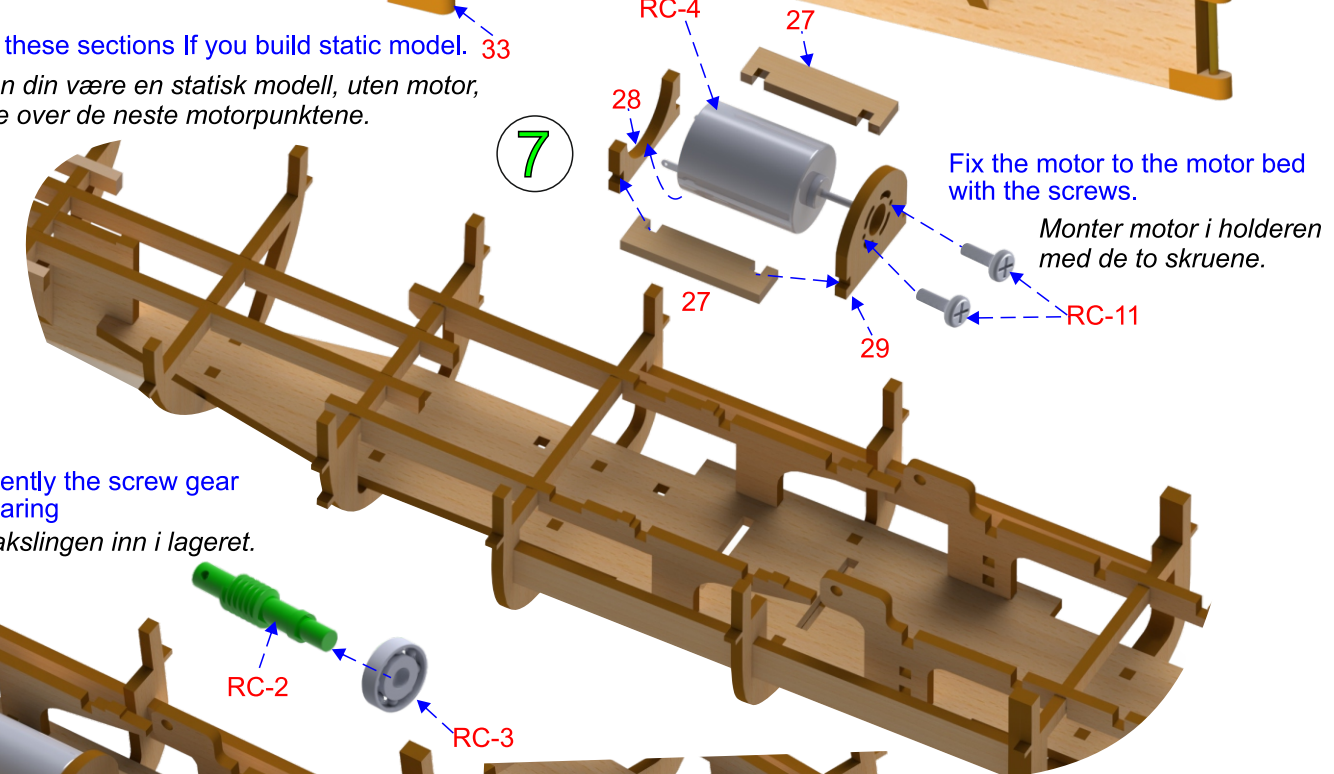
6



Rorhylseholderne (31-33) limes til kjølen bak, men ikke hylsen.

You can skip these sections If you build static model. Skil modellen din være en statisk modell, uten motor, kan du hoppe over de neste motorpunktene.

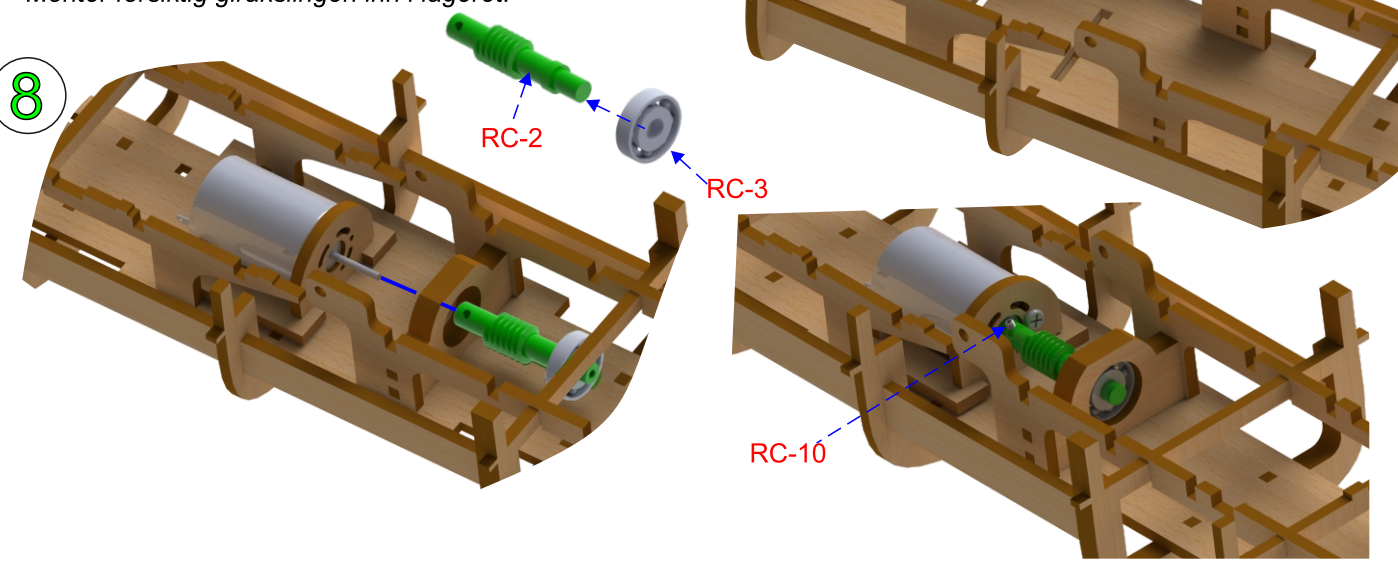
7



Fix the motor to the motor bed with the screws. Monter motor i holderen med de to skruene.

Hammer gently the screw gear into the bearing. Monter forsiktig girakslingen inn i lageret.

8



9

57

RC-3

RC-9

Set the servo onto its bed with the screws and then fix the servo as on a side leaning.  
Monter styreservoen i holderen med skruene og sett den i sporene i liggende stilling.

10

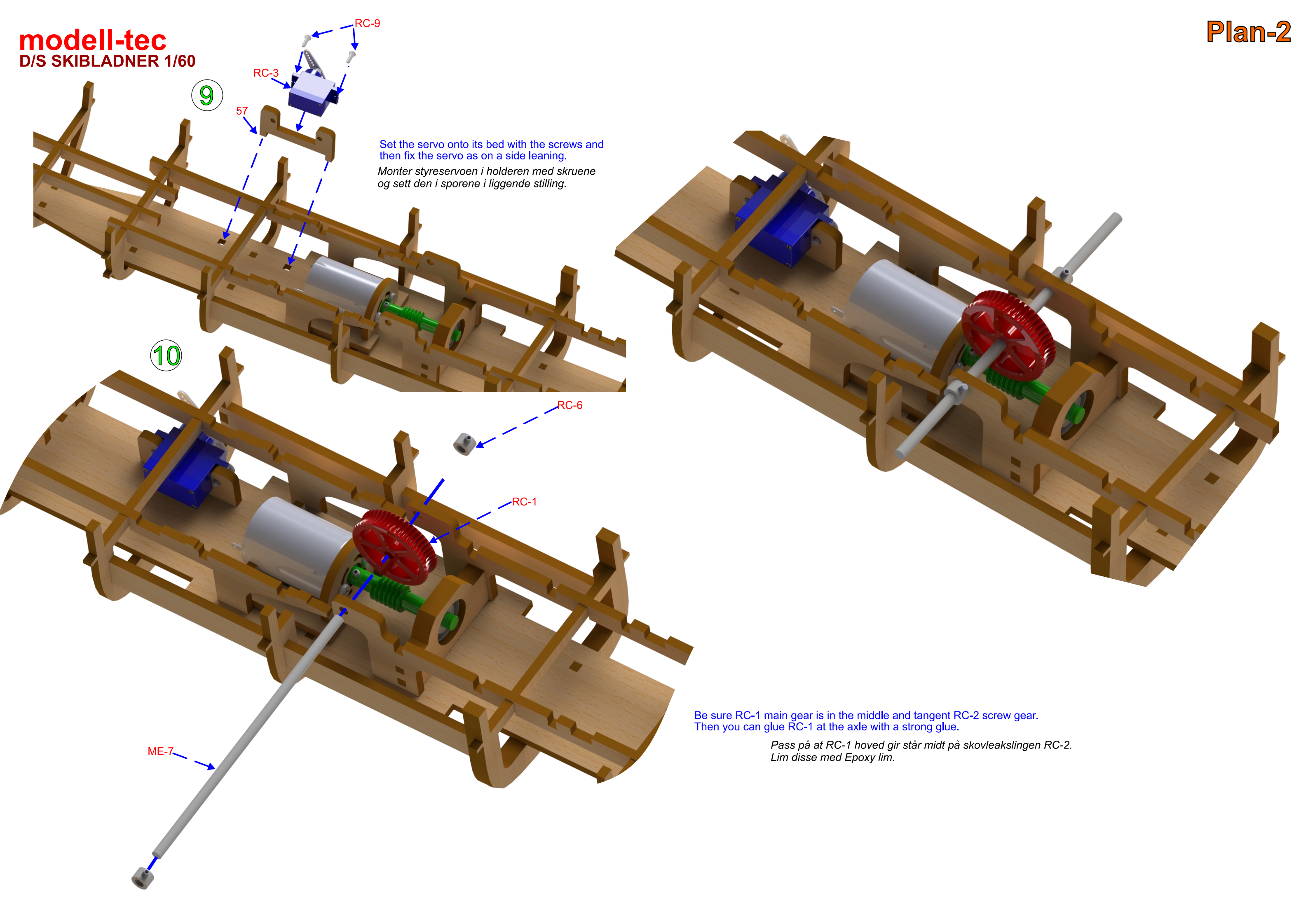
RC-6

RC-1

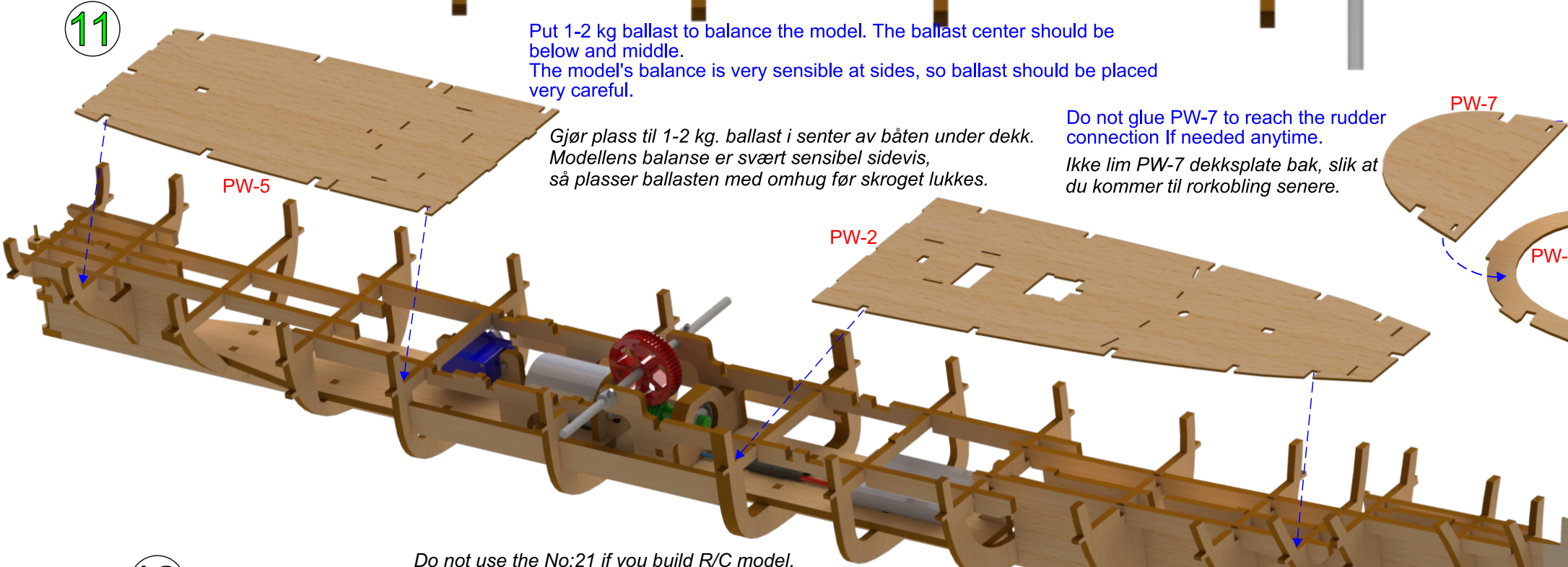
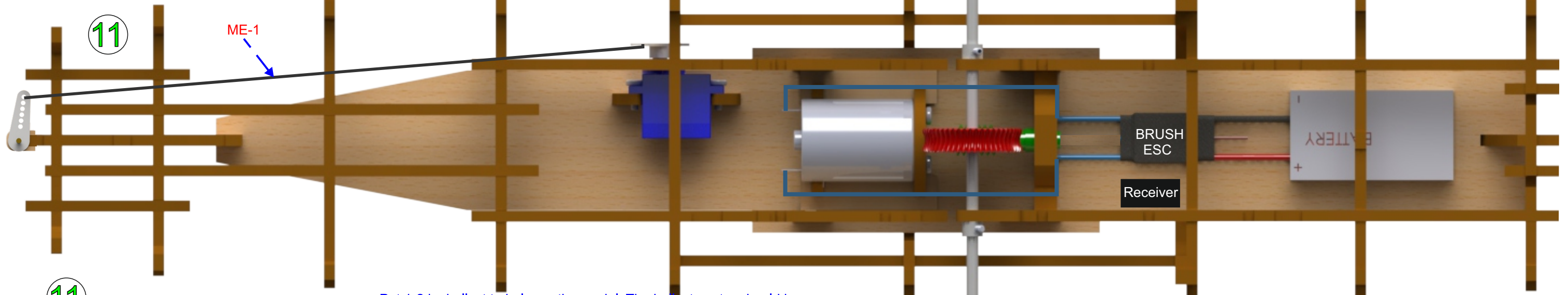
ME-7

Be sure RC-1 main gear is in the middle and tangent RC-2 screw gear.  
Then you can glue RC-1 at the axle with a strong glue.

Pass på at RC-1 hoved gir står midt på skovleakslingen RC-2.  
Lim disse med Epoxy lim.



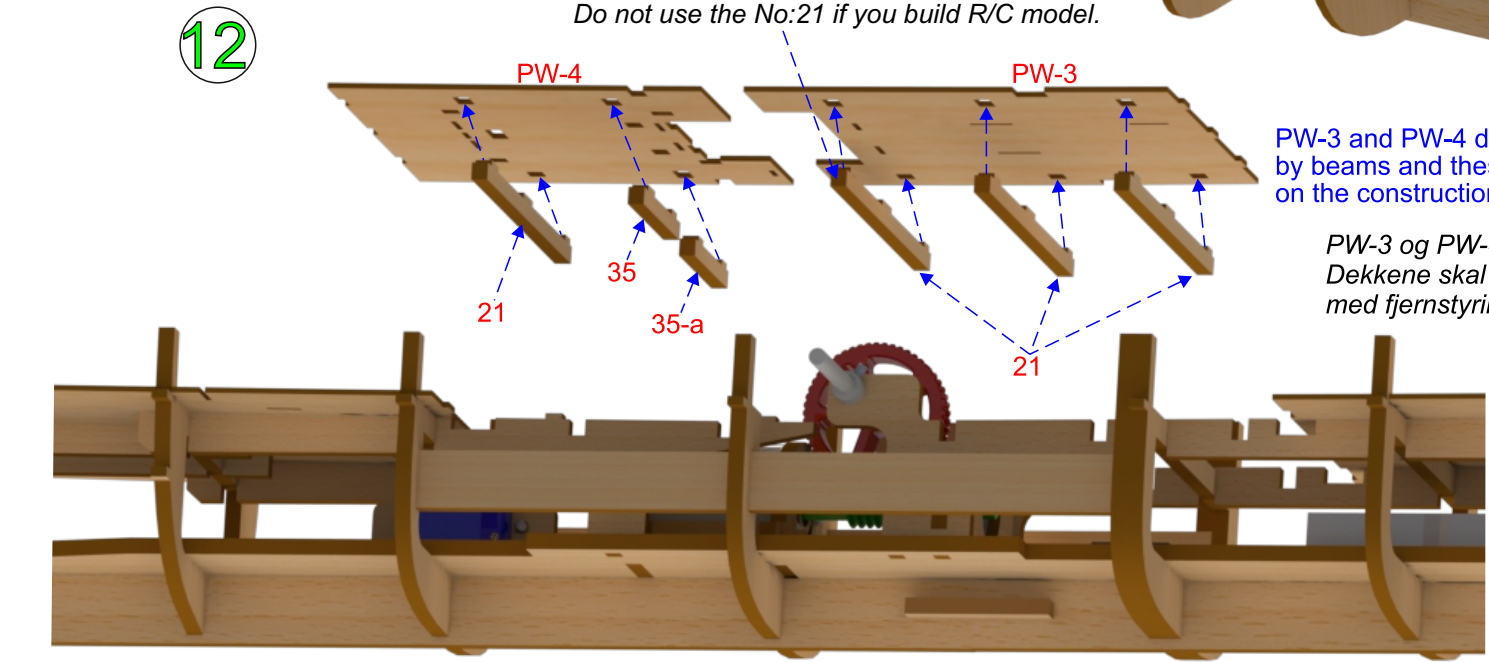
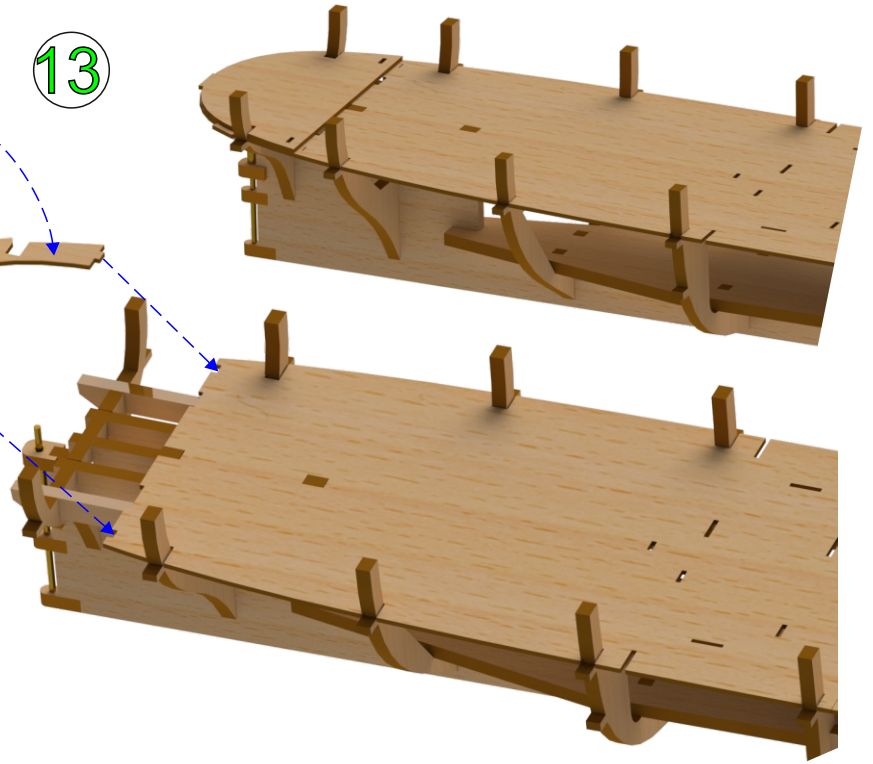
Set the servo wire as seen on the picture.  
Monter styrestag mellom servo og rorarm.



Put 1-2 kg ballast to balance the model. The ballast center should be below and middle.  
The model's balance is very sensible at sides, so ballast should be placed very careful.

Gjør plass til 1-2 kg. ballast i senter av båten under dekk.  
Modellens balanse er svært sensibel sidevis, så plasser ballasten med omhu før skroget lukkes.

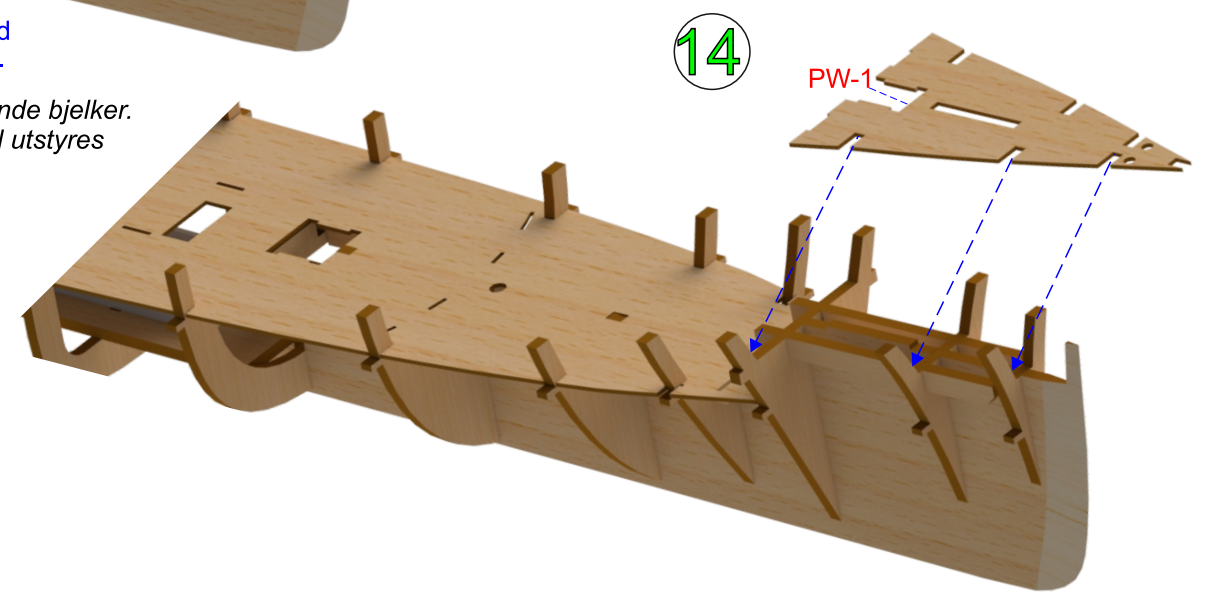
Do not glue PW-7 to reach the rudder connection if needed anytime.  
Ikke lim PW-7 dekkplate bak, slik at du kommer til rorkobling senere.



Do not use the No:21 if you build R/C model.

PW-3 and PW-4 decks should be supported by beams and these decks should not be glued on the construction hull if you build R/C model.

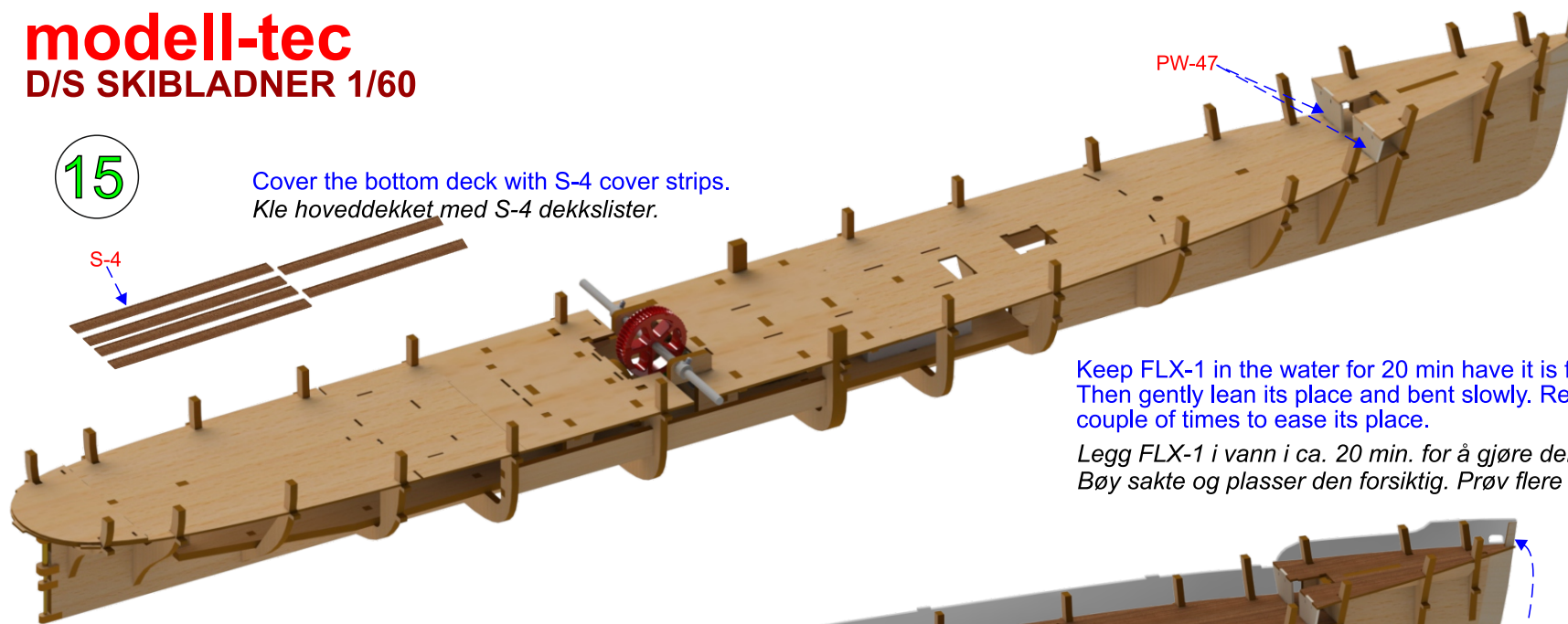
PW-3 og PW-4 skal monteres på tverrgående bjelker. Dekkene skal ikke limes om modellen skal utstyres med fjernstyring.



15

Cover the bottom deck with S-4 cover strips.  
Kle hoveddekket med S-4 dekkslister.

S-4

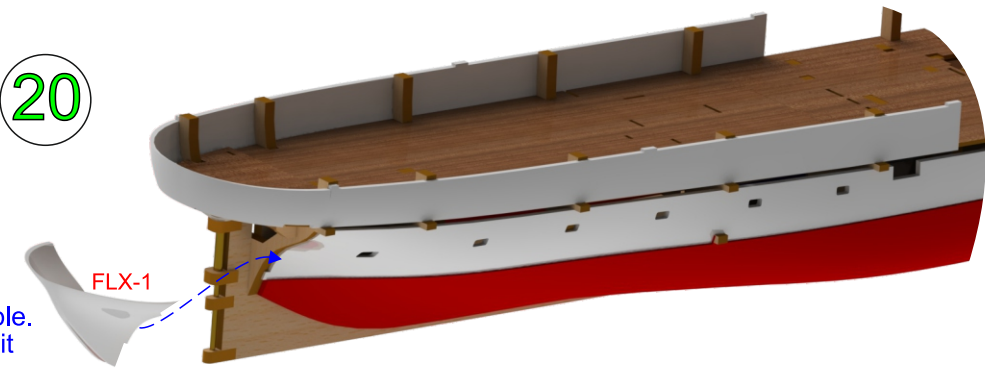


20

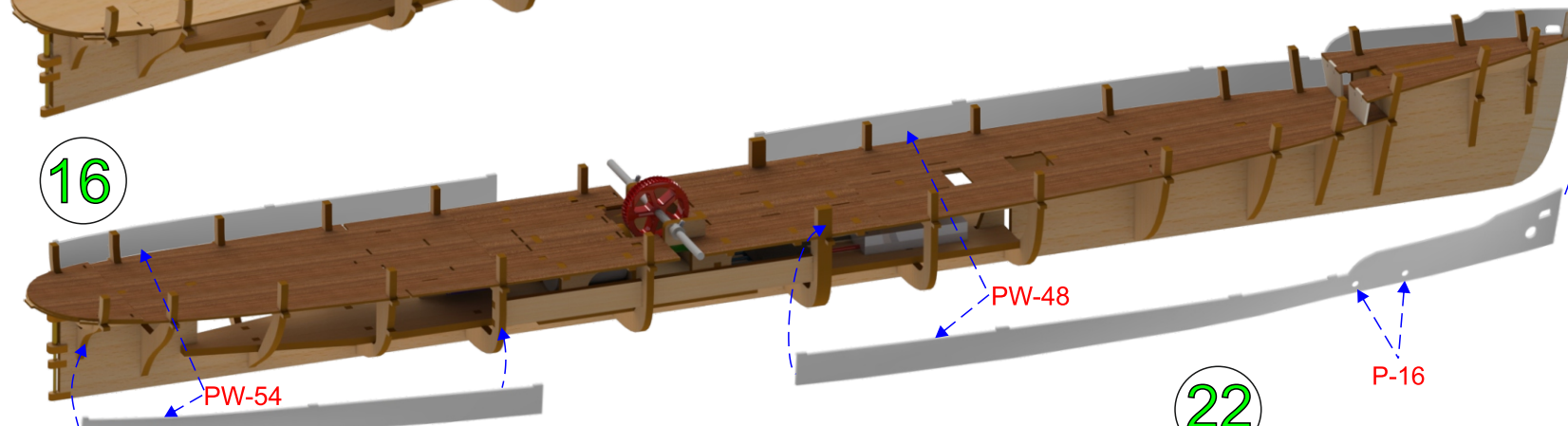
Keep FLX-1 in the water for 20 min have it is flexible.  
Then gently lean its place and bent slowly. Repeat it  
couple of times to ease its place.

Legg FLX-1 i vann i ca. 20 min. for å gjøre den mer fleksibel og bøyelig.  
Bøy sakte og plasser den forsiktig. Prøv flere ganger for å få den riktig på plass.

FLX-1



16



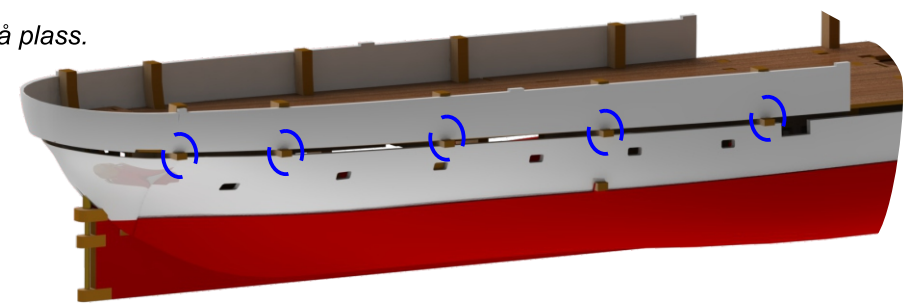
PW-48

PW-54

Break off the circled area after installing the panels.  
Then place the laths through that gap.

Brekk av støttene på spantene (vist med sirkel)  
og monter listene i spalten.

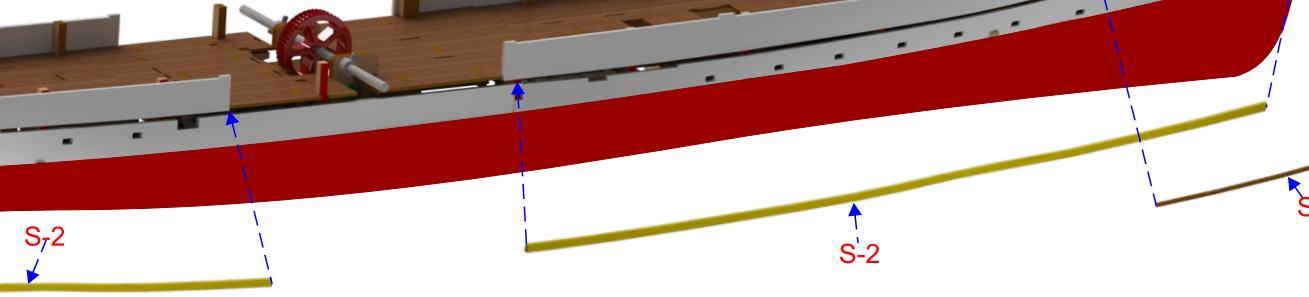
21



22

PW-64

P-16



S-2

S-2

S-1

17

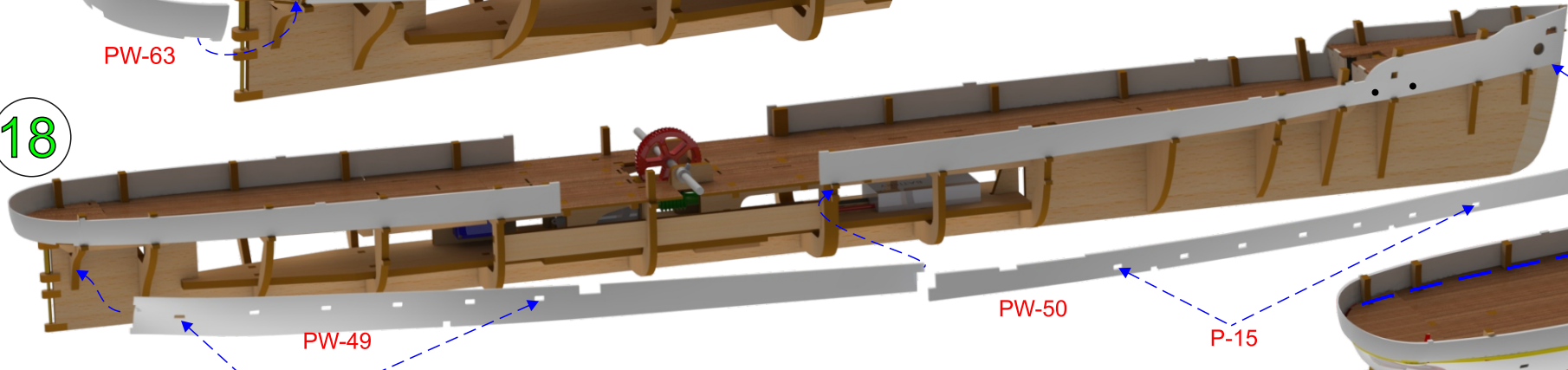
Keep PW-63 in the water for 20 min have it is flexible.  
Then gently lean its place and bent slowly. Repeat it  
couple of times to ease its place.

Det samme for PW-63.

PW-63



18



PW-49

PW-50

P-15

23

Break off the blue highlighted frame tips gently.  
Fjern forsiktig toppen på de blå fremhevede spantene.

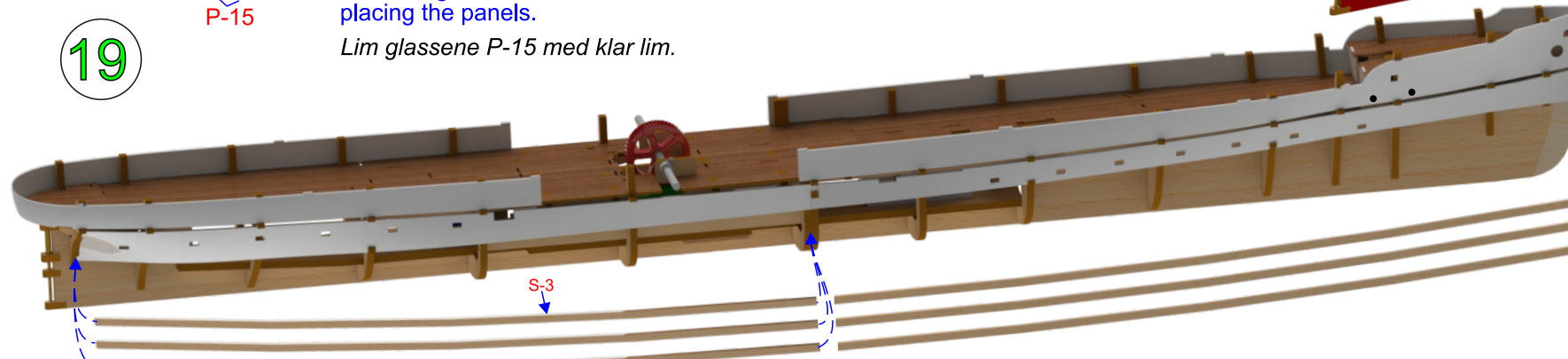
19

Glue the glasses with clear cement after  
placing the panels.

Lim glassene P-15 med klar lim.

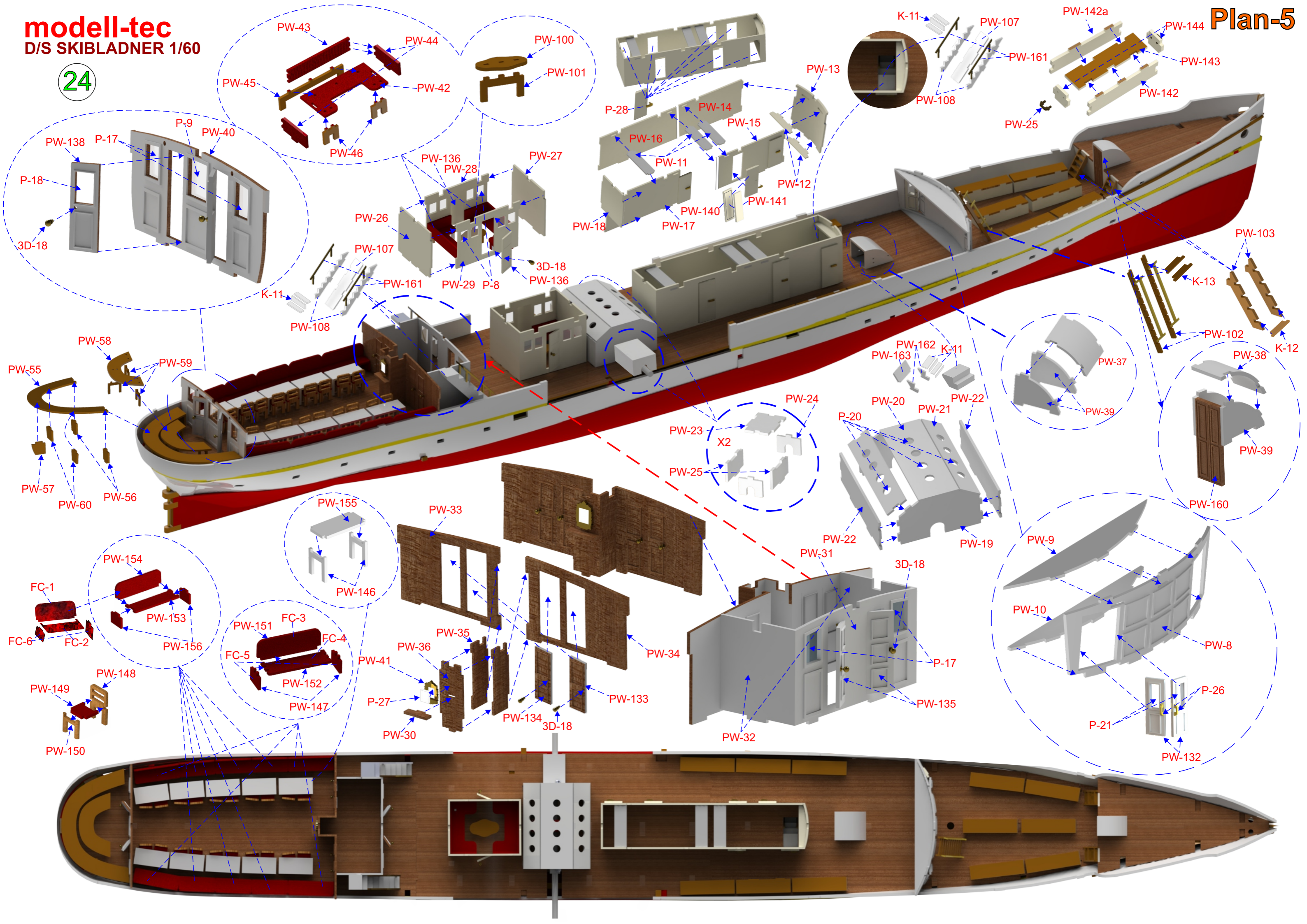
P-15

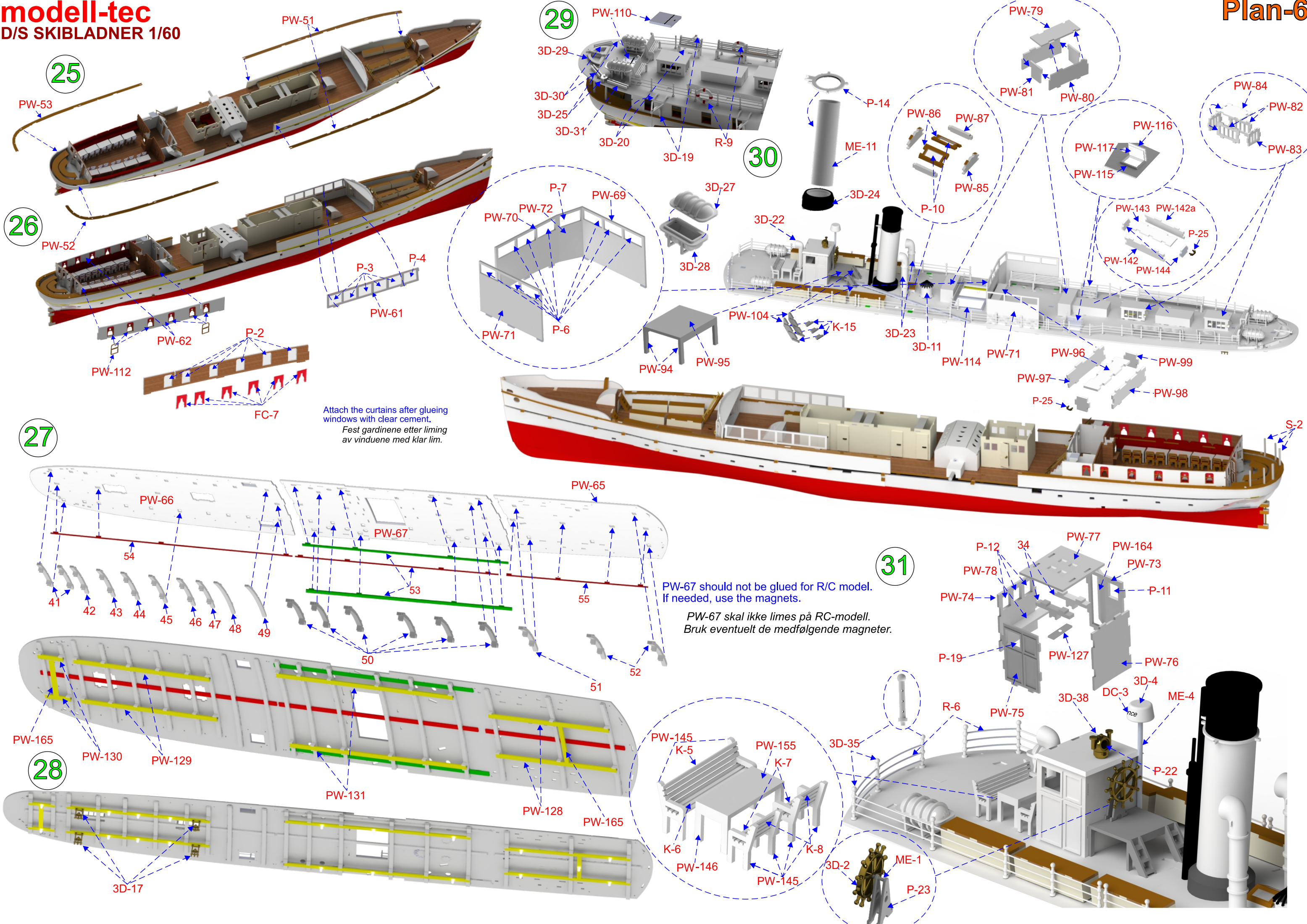
S-3



Cover the hull with S-3 strips and one strip on each side  
everytime.  
The keel might turn to any side, to avoid it, please check  
the keel after every single covering strip.

Kle skroget med S-3 lister, alltid en på hver side om gangen.  
Dette for å unngå at kjølen slår seg og det lange skroget blir skjevt.  
Sjekk etter hvert par av lister.





**29**

**30**

**31**

**25**

**26**

**27**

**28**

Attach the curtains after glueing windows with clear cement.  
*Fest gardinene etter liming av vinduene med klar lim.*

PW-67 should not be glued for R/C model.  
If needed, use the magnets.  
*PW-67 skal ikke limes på RC-modell. Bruk eventuelt de medfølgende magneter.*

PW-53

PW-51

3D-29

3D-30

3D-25

3D-31

PW-110

3D-20

3D-19

R-9

P-14

ME-11

PW-79

PW-81

PW-80

PW-86

PW-87

PW-85

P-10

PW-116

PW-117

PW-115

PW-84

PW-82

PW-83

PW-143

PW-142a

PW-142

PW-144

P-25

PW-52

P-3

P-4

PW-61

P-7

PW-69

PW-70

PW-72

PW-71

P-6

3D-27

3D-28

3D-22

3D-24

3D-23

3D-11

PW-104

K-15

PW-114

PW-71

PW-96

PW-99

PW-112

PW-62

P-2

FC-7

PW-94

PW-95

PW-97

PW-98

S-2

PW-66

PW-65

PW-67

41

42

43

44

45

46

47

48

49

54

53

55

50

51

52

PW-165

PW-130

PW-129

PW-131

PW-128

PW-165

3D-17

PW-145

PW-155

3D-35

K-6

PW-146

PW-145

3D-2

ME-1

P-23

P-12

34

PW-77

PW-164

PW-73

PW-78

PW-74

P-11

P-19

PW-127

PW-76

3D-38

DC-3

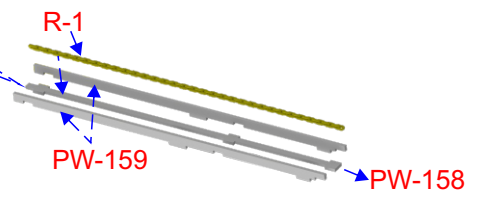
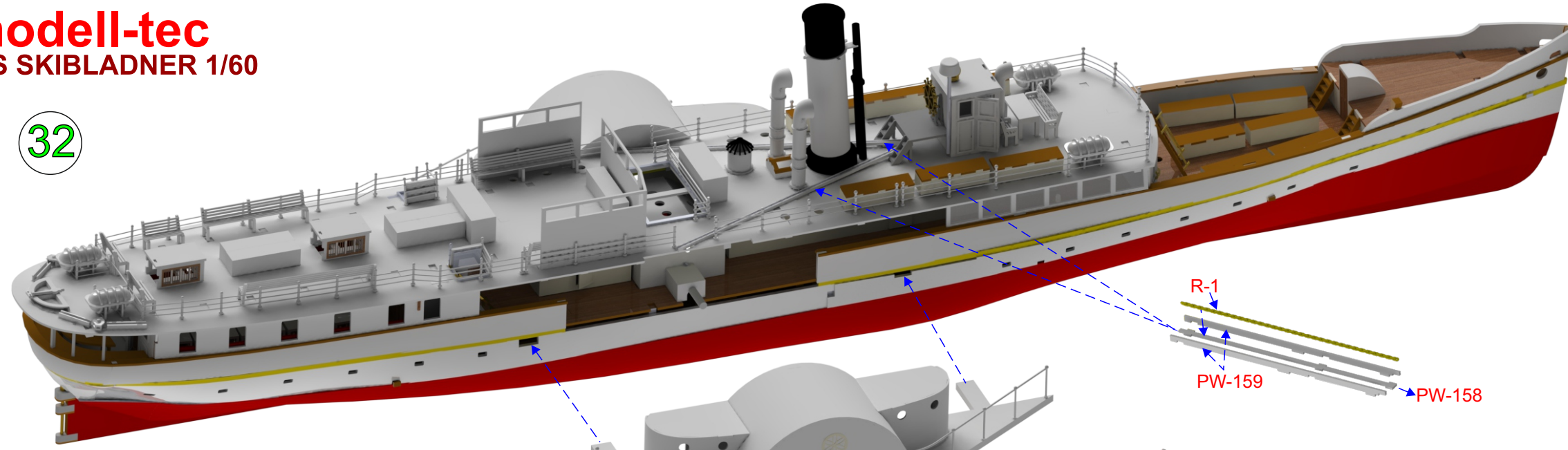
ME-4

R-6

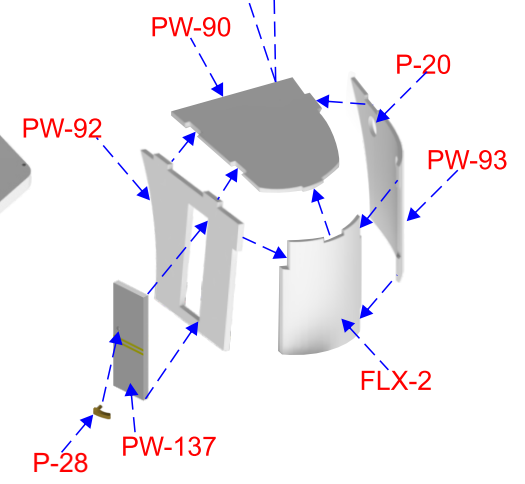
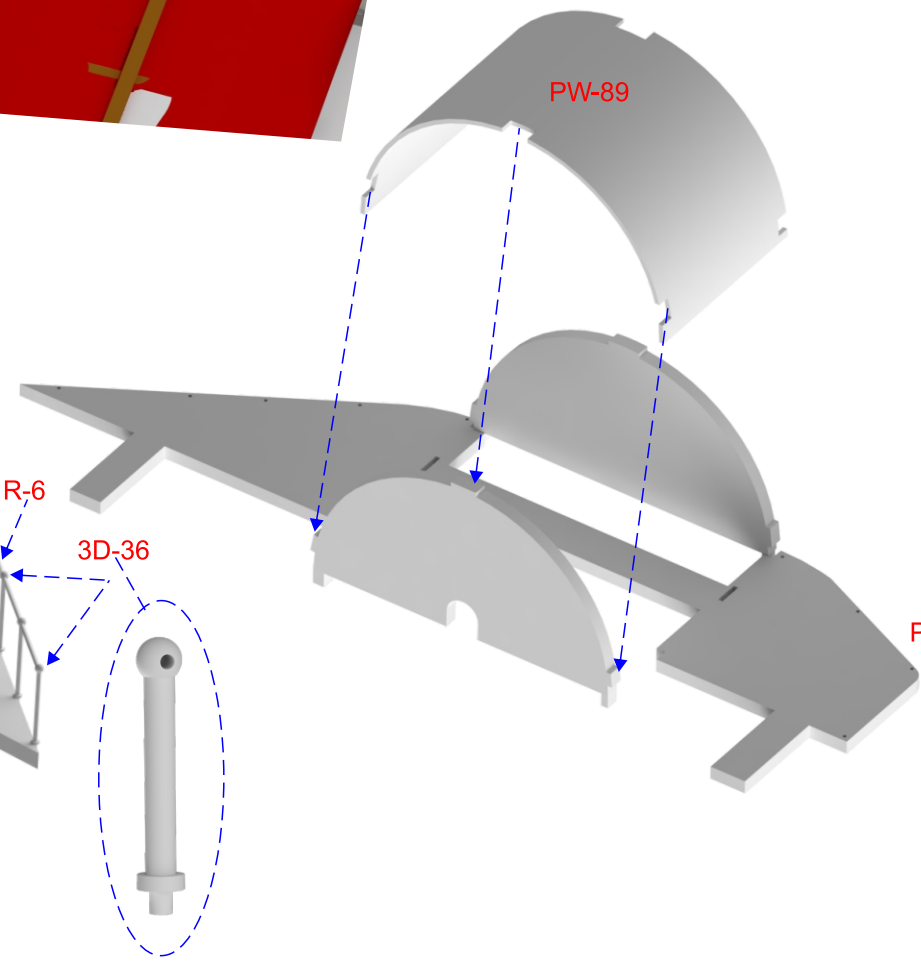
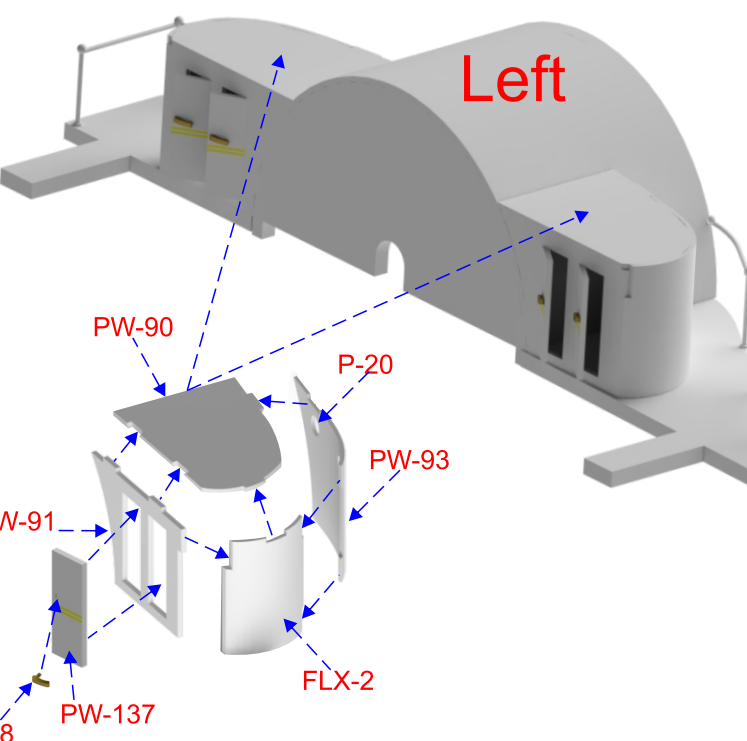
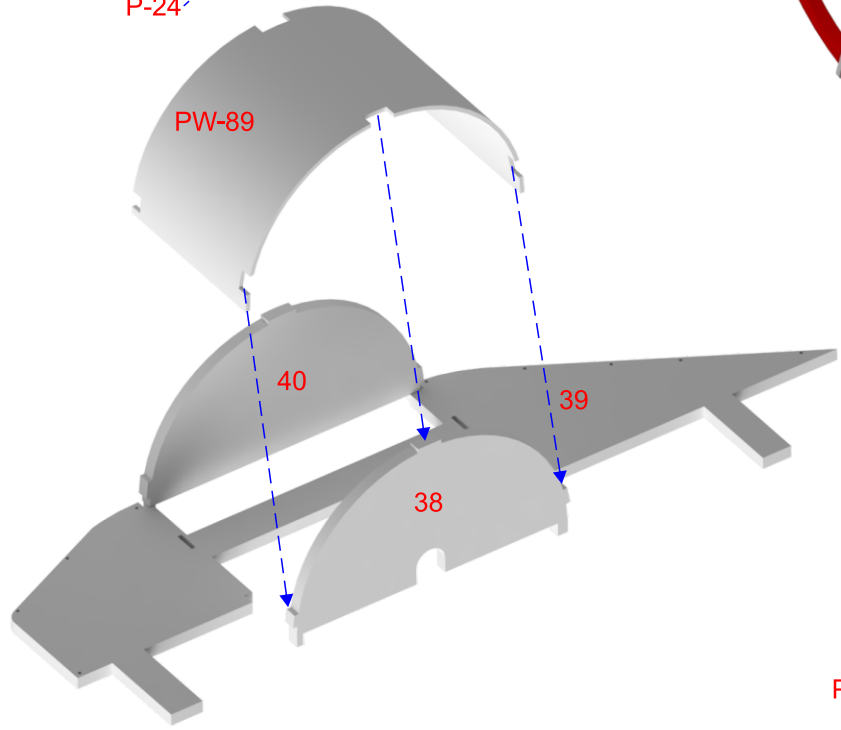
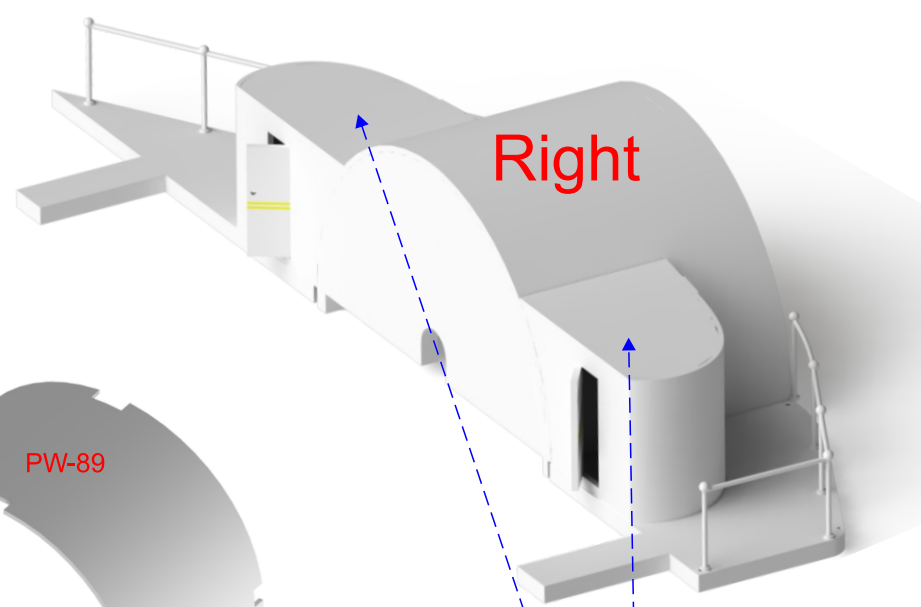
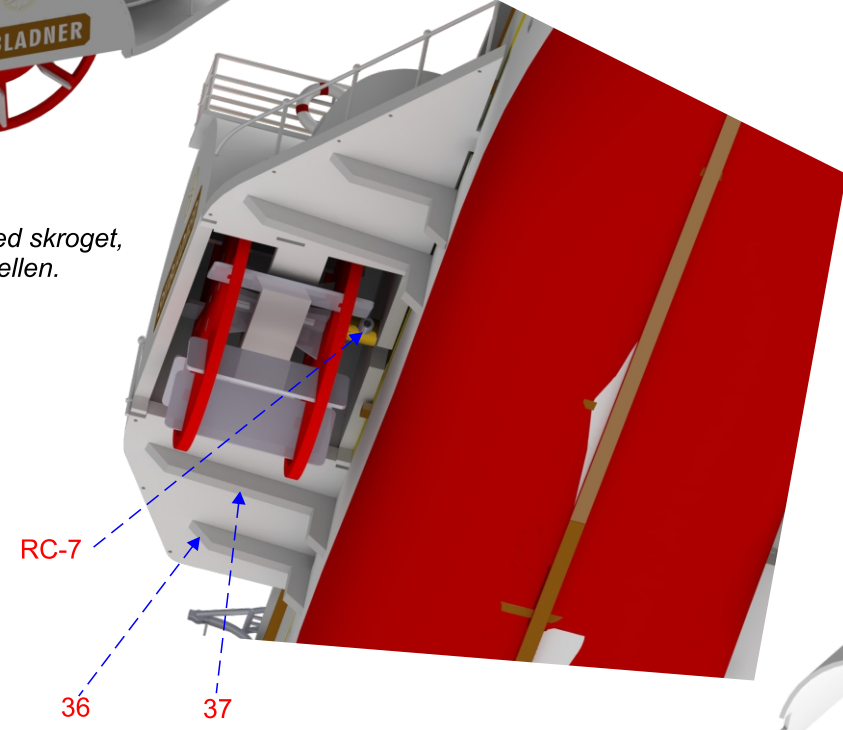
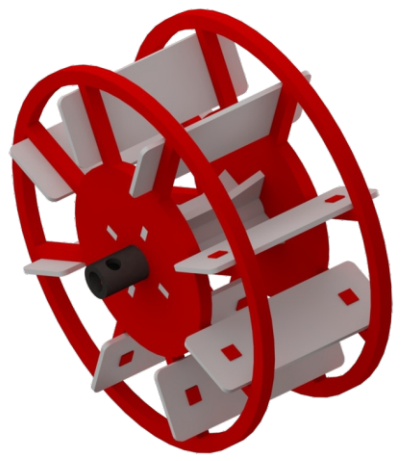
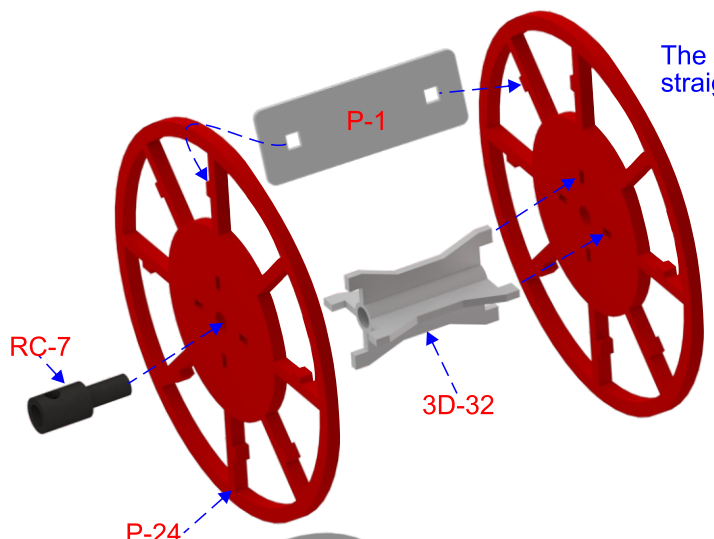
PW-75

P-22

32



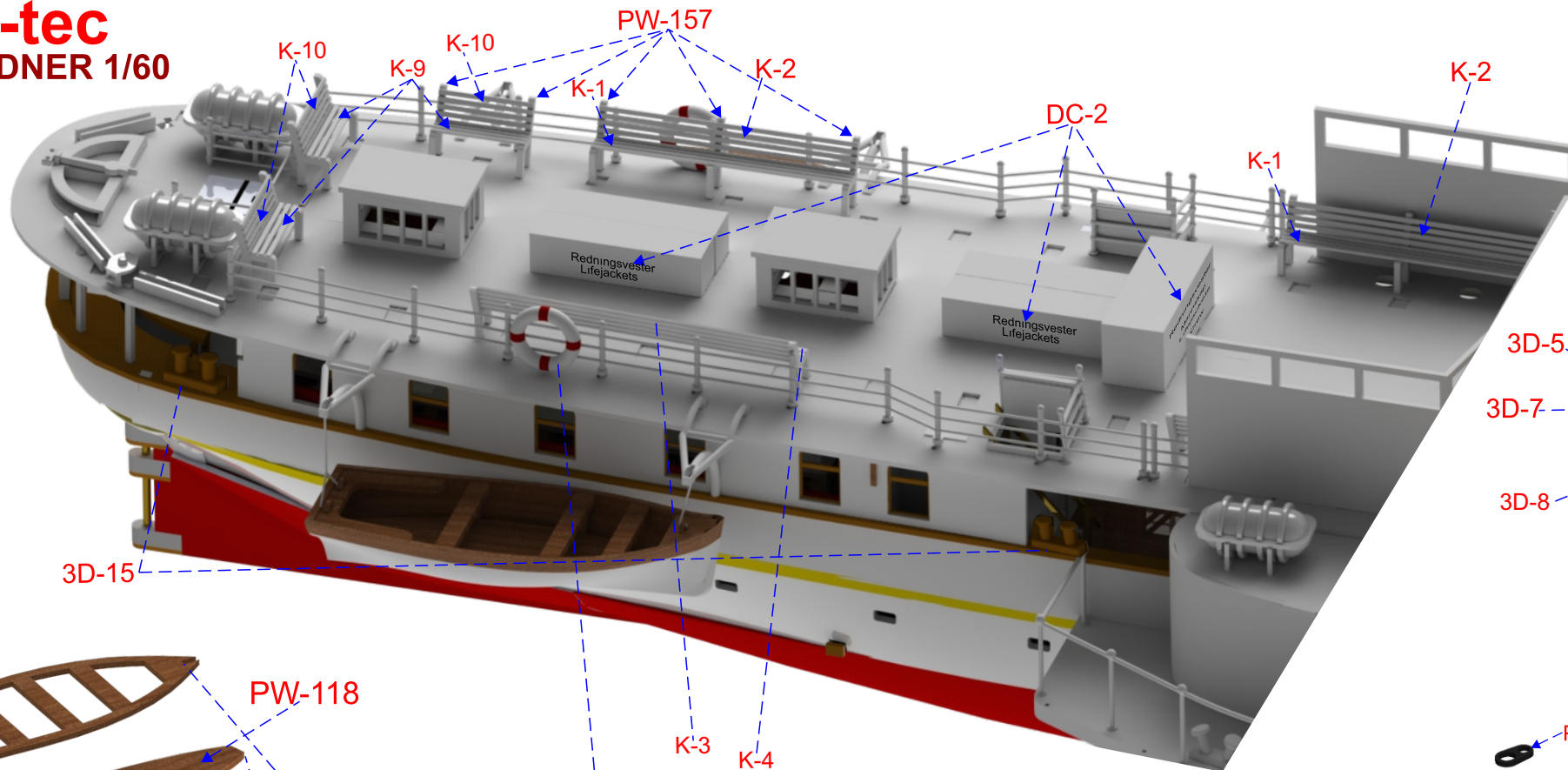
The peddal chambers should be aligned straightly for the balance of the model.  
*Skovlehusene justeres rett, parallelt med skroget, for balansen og kjøreretningen av modellen.*



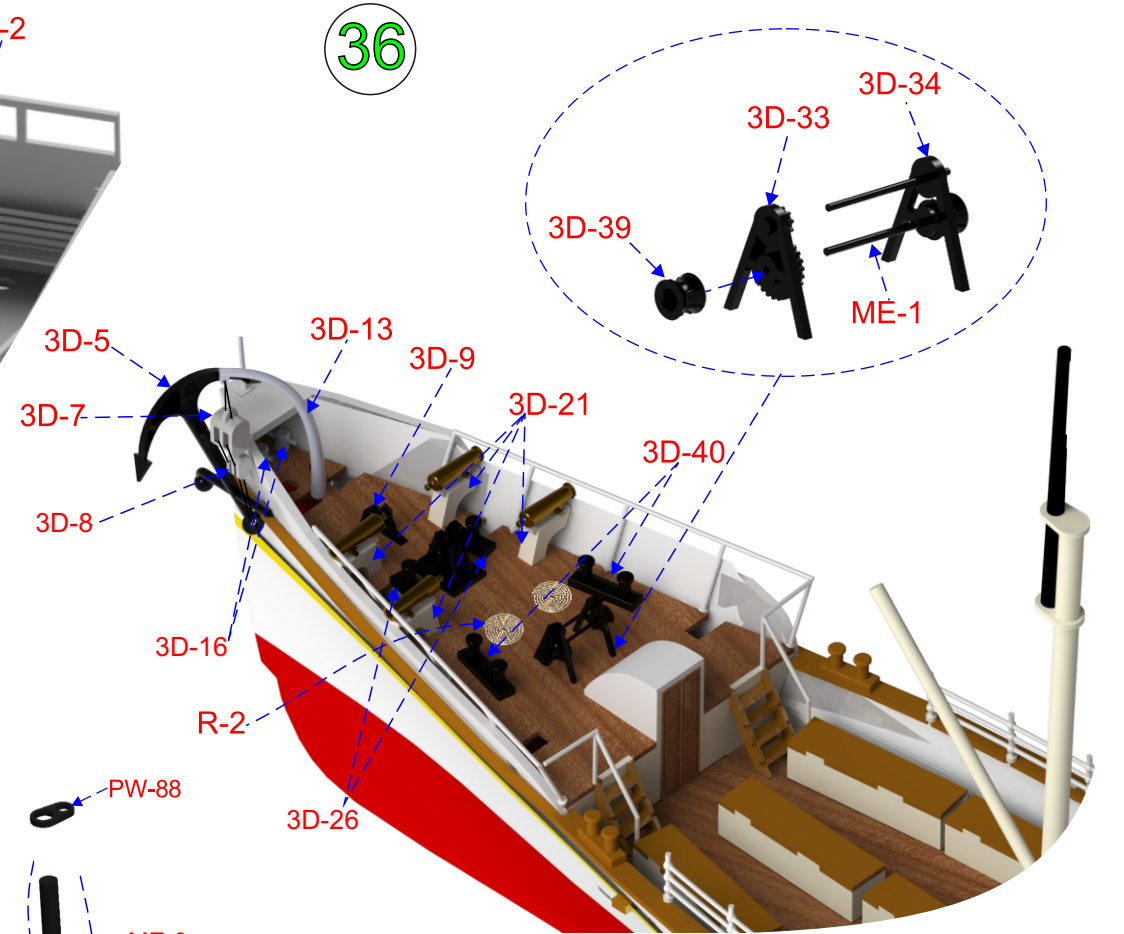
The middle of Nr:39 must break after glue Nr:89.  
*Midtstykket på del nr. 39 må fjernes etter at taket, del nr. 89 er limt.*



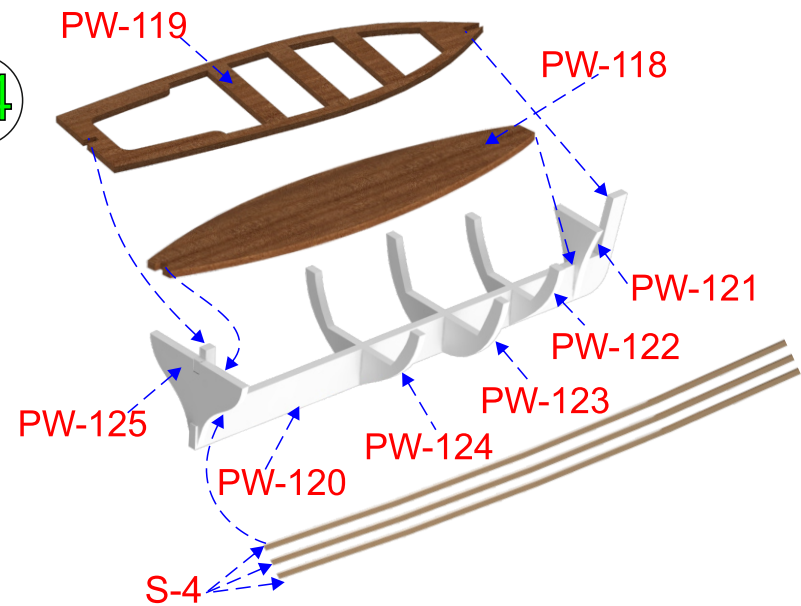
33



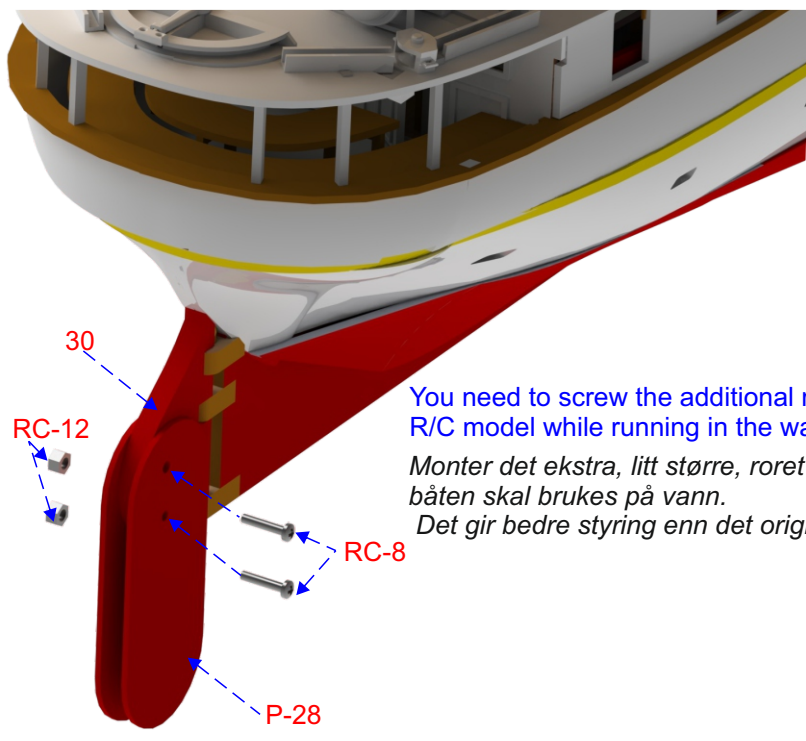
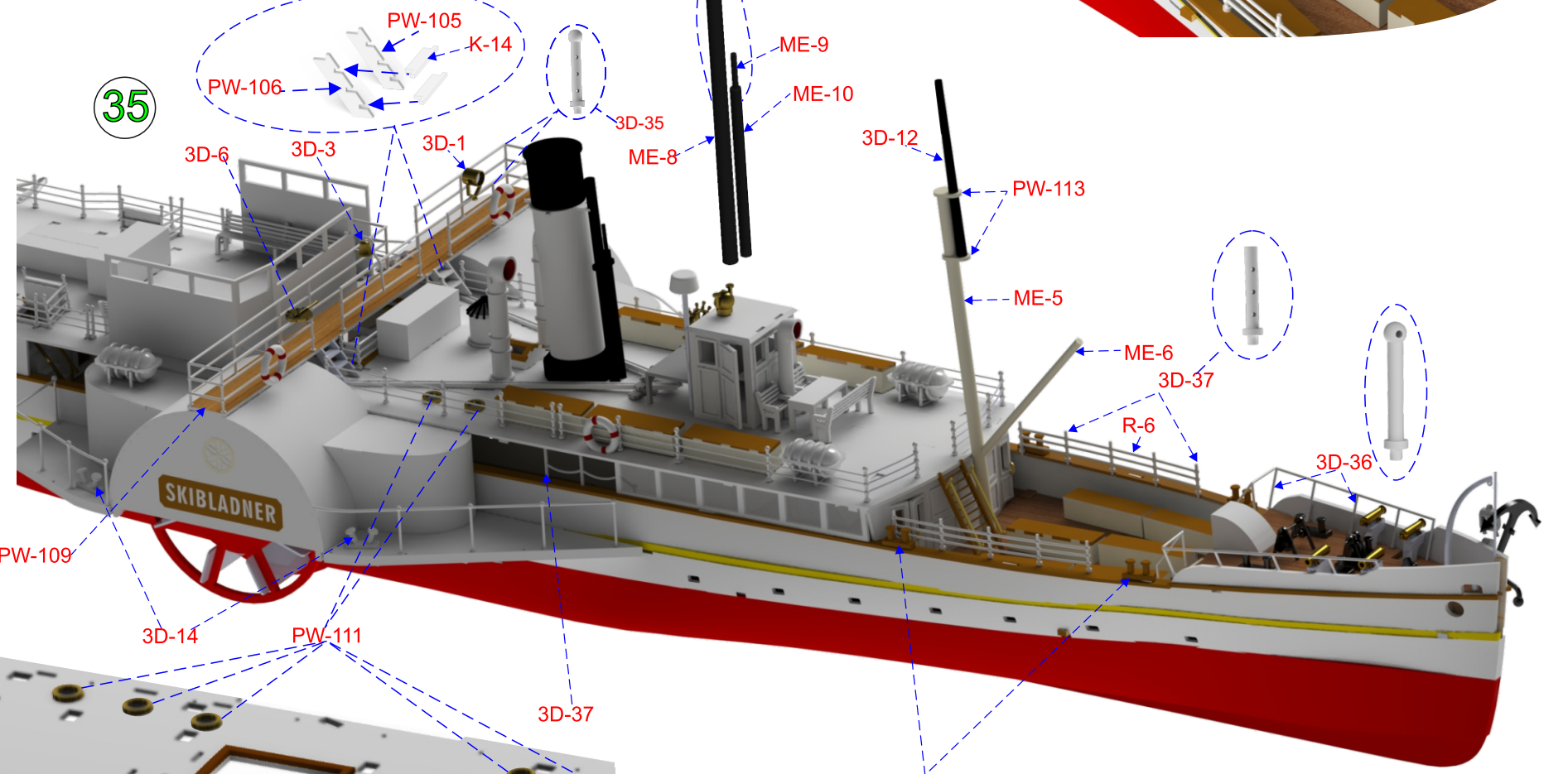
36



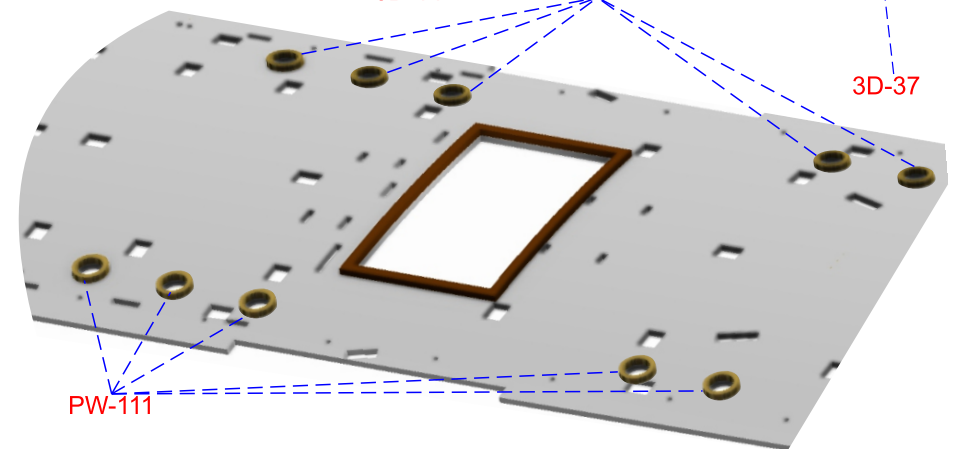
34

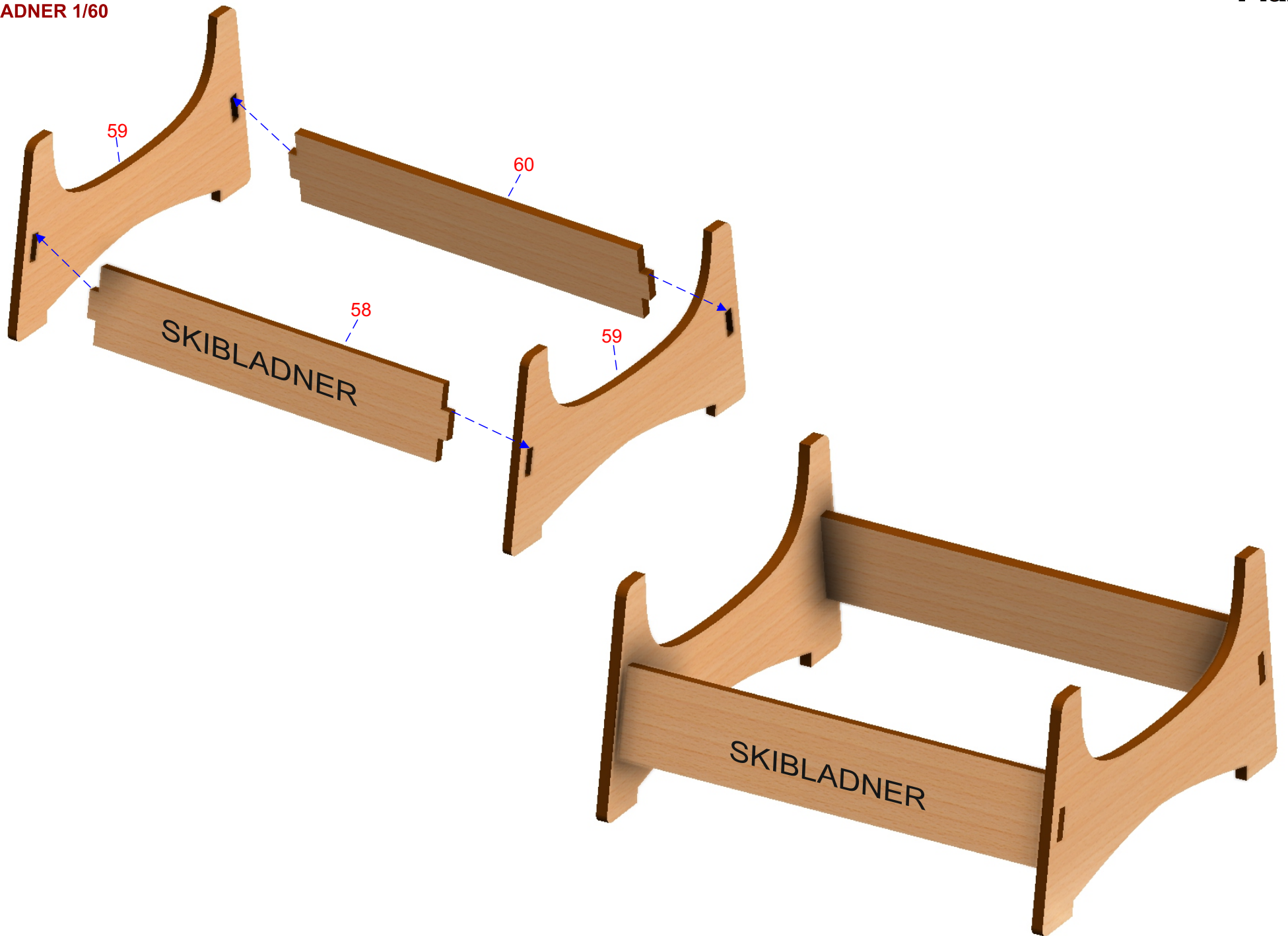


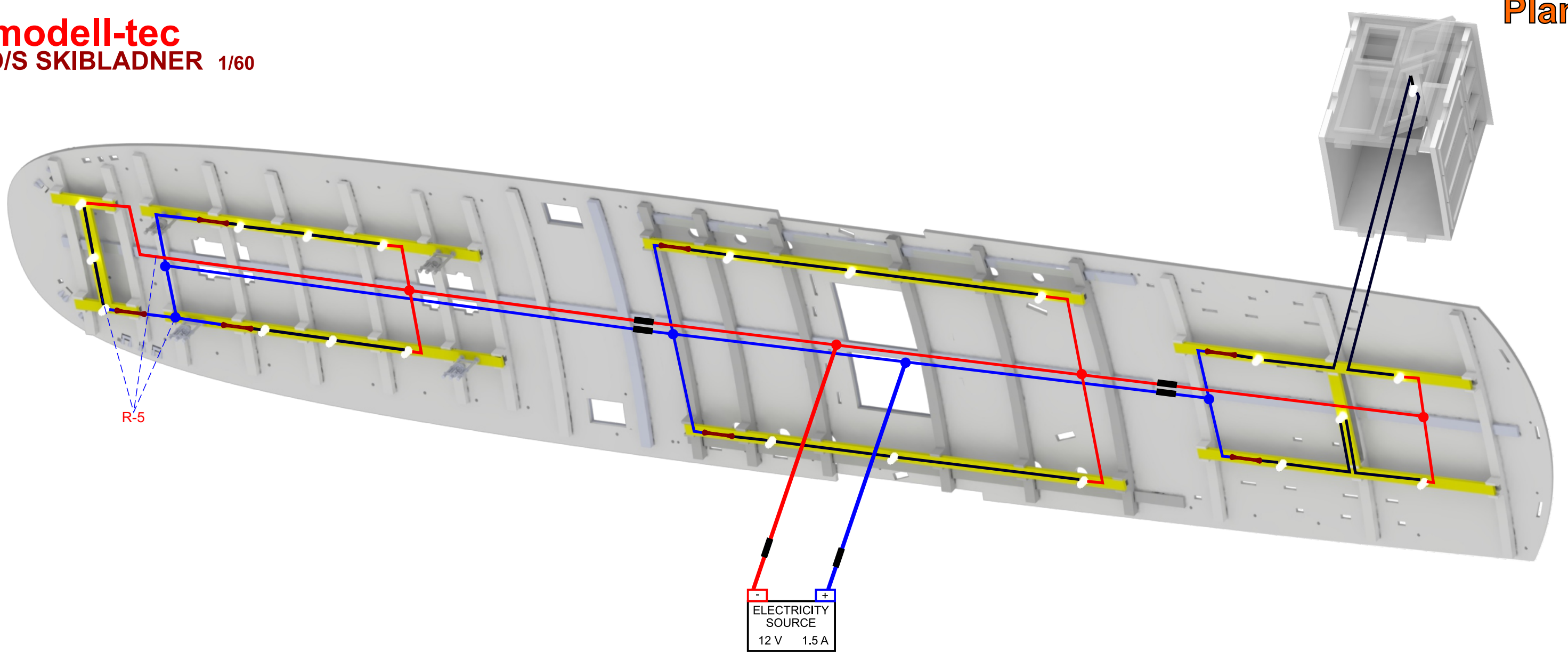
35



You need to screw the additional rudder for R/C model while running in the water.  
Monter det ekstra, litt større, roret når båten skal brukes på vann.  
Det gir bedre styring enn det originale.







## Oppsett LED belysning

På denne siden ser du hvordan du setter opp lys. Alle LED lysene er koblet i serie av 3 stk. Lys-settene består av 3 serier på hvert dekk. Kobberledningen er isolert i endene, skrap eller brenn isolasjonen vekk før kobling. Enden av motstand er ikke viktig. Hvilken som helst ende kan kobles til serieleds.

Uansett hvor du velger å ha LED lys, bor 3mm hull for LED-pærene i holderlistene og sett LED lyset oppi den. Bruk litt lim for å feste det på plass, men vær forsiktig med limingen.

Test LED-ene på hvert nivå, se om de virker. Hvis de blinker, har ikke strømkilden nok amper. Hvis det ikke kommer lys i det hele tatt, sjekk om isolasjonen på ledningene er fjernet helt eller om de er frakoblet.

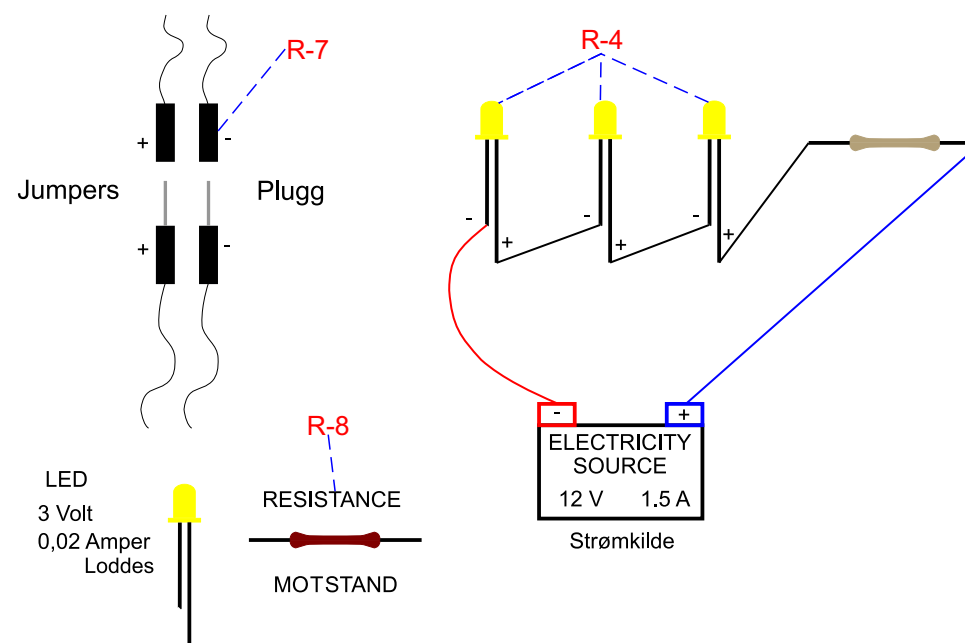
Ledninger og andre komponenter skal kobles ved lodding. Hvis du ikke er ekspert på det, få hjelp av noen som kan det. Selv om isolasjon på kobberledningen er fjernet, kan den bli slitt etter viss tid. Hvis den er i kryss enkelte plasser, isoler eller sett en liten ting for å skille ledninger fra hverandre for å unngå kortslutning.

Etter hvert kan det være at noen LED lys går, test da den serien som disse lysene og motstand hører til. Hvis du ikke har utstyret for å gjøre det, bytt da ut de tre lysene og motstand det gjelder.

Samle dekk ledninger i enden av en plugg. Den andre enden av pluggen skal kobles til strømkilden. Gjør det for hvert dekk i tilfellet det må fjernes senere. Det blir da lettere å ta dekkene ifra hverandre ved å plugge ifra leddkoblinger og frigjøre dekkene.

Pass på at (+) og (-) er riktig ved kobling.

Strømkilde som batteri, oppladbar akku eller adapter er ikke inkludert i settet.



## LED SET-UP

You will find out how to set lights up in this page. The first rule is each 3 leds connected serial. So, the light sets exist bunch of 3 serials in every deck. Cooper cable is isolated, so when you set it, sand or fire the tips to unisolate. The tip of the resistance is unimportant. Any tip can be connected to the serial leds.

Wherever you would like to put a led, penetrate 3 mm the led platform and place the led into. Then glue the led there but do not use over the glue, just tiny.

Test the leds on every stage If they work properly. If the leds are blinking, the energy source's amper is not enough. If there is no light at all, then check cables these might not be unisolated well or disconnected.

Connect the cables and the other components soldering. If you are not expert on soldering, get and support from an expert.

Though the cooper wire is unisolated, it might lose its feature by the time. If they are cross anywhere, put a small separator to keep it away from short circuit.

By the time, some leds might be died. In this situation, test the serial that covers that led and resistance. If you do not have a equipment to test, then just swap those 3 serial leds and resistance with new ones.

Collect the deck cables into a tip of a jack. The other tip of jack should connected to the energy source. You do this for every deck it might be needed to remove. It is going to make easier to disattach the decks. Easily you will plug off the led connections to make free the decks.

Watch out collecting (+) and (-) will be right.

## SKIBLADNER PART LIST

NO	QUANTITY	DESCRIPTION	SIZE	TYPE
0-00	2	Keels	4 mm	Plywood
1...9	9	Frames	4 mm	Plywood
9-A	2	Frames	4 mm	Plywood
10...15	6	Frames	4 mm	Plywood
16...19	6	Frame Fixers	4 mm	Plywood
20	1	Bearing house	4 mm	Plywood
20a	1	Bearing house	4 mm	Plywood
21	4	Deck supports	4 mm	Plywood
22	2	Frame Fixers	4 mm	Plywood
23	1	Keel Fixers	4 mm	Plywood
24	1	Engine base part	4 mm	Plywood
25	2	Frame Fixers	4 mm	Plywood
26	2	Frame Fixers	4 mm	Plywood
27...29	4	Engine Parts	4 mm	Plywood
30...33	5	Rudder Parts	4 mm	Plywood
34	1	Led Support Part	4 mm	Plywood
35	1	Deck supports	4 mm	Plywood
35a	1	Deck supports	4 mm	Plywood
36-37	8	Paddle House Supports	4 mm	Plywood
38...40	6	Paddle House	4 mm	Plywood
41...55	24	Upper Deck Supports	4 mm	Plywood
56	2	Frame Fixers	4 mm	Plywood
57	1	Servo Bed	4 mm	Plywood
58...60	4	Base Parts	4 mm	Plywood
PW1	1	Front Deck	1.5 mm	Plywood
PW2	1	Main Deck	1.5 mm	Plywood
PW3	1	Main Deck	1.5 mm	Plywood
PW4	1	Main Deck	1.5 mm	Plywood
PW5	1	Main Deck	1.5 mm	Plywood
PW6	1	Back Deck	1.5 mm	Plywood
PW7	1	Back Deck	1.5 mm	Plywood
PW8...10	3	Front Wall Parts	1.5 mm	Plywood
PW11...18	11	Middle Room Parts	1.5 mm	Plywood
PW19...22	7	Middle Air Cabine	1.5 mm	Plywood
PW23...25	10	Paddle Pipe House	1.5 mm	Plywood
PW26...29	4	Smoking Room	1.5 mm	Plywood
PW30...36	9	Restaurant Room Parts	1.5 mm	Plywood
PW37...39	6	Lower Deck Door Parts	1.5 mm	Plywood
PW40	1	Back Door	1.5 mm	Plywood
PW41	1	Mirror Frame	1.5 mm	Plywood
PW42...46	14	Smoking Room Chair Parts	1.5 mm	Plywood
PW47	2	Front Deck Parts	1.5 mm	Plywood
PW48...50/54	8	Panels	1.5 mm	Plywood
PW51...53	4	Rails	1.5 mm	Plywood
PW55...60	10	Table Parts	1.5 mm	Plywood
PW61	2	Upper Front Window Frames	1.5 mm	Plywood
PW62	2	Upper Back Window Frames	1.5 mm	Plywood
PW63	1	Back Panel	1.5 mm	Plywood
PW64	2	Back Laths	1.5 mm	Plywood
PW65...67	3	Upper Decks	1.5 mm	Plywood
PW69...72	4	Upper Deck Balcony	1.5 mm	Plywood
PW73...78	6	Captain Cabine Parts	1.5 mm	Plywood
PW79...81	10	Life Jacket Box	1.5 mm	Plywood

PW82...84	10	Upper Deck Air Parts	1.5 mm	Plywood
PW85...87	10	Air Conditioners	1.5 mm	Plywood
PW88	1	Main Post Parts	1.5 mm	Plywood
PW89	2	Paddle House Parts	1.5 mm	Plywood
PW90...93	8	Paddle House Parts	1.5 mm	Plywood
PW94-95	3	Rudder Lower Parts	1.5 mm	Plywood
PW96...99	5	Life Jacket Box	1.5 mm	Plywood
PW100-101	2	Smoking House Table	1.5 mm	Plywood
PW102	2	Front Stairs	1.5 mm	Plywood
PW103	4	Front Deck Stairs	1.5 mm	Plywood
PW104	4	Rudder Lower Part Stairs	1.5 mm	Plywood
PW105-106	8	Upper Bridge Stairs	1.5 mm	Plywood
PW107-108	9	Stair Parts	1.5 mm	Plywood
PW109	1	Upper Bridge	1.5 mm	Plywood
PW110	1	Upper Back Lid	1.5 mm	Plywood
PW111	10	Upper Porthole	1.5 mm	Plywood
PW112	10	Window Frames	1.5 mm	Plywood
PW113	2	Front Post Supports	1.5 mm	Plywood
PW114	1	Frame	1.5 mm	Plywood
PW115...117	6	Upstairs Lids	1.5 mm	Plywood
PW118...125	16	Lifeboat Parts	1.5 mm	Plywood
PW127...131	10	Led Supports	1.5 mm	Plywood
PW132...141	14	Doors	1.5 mm	Plywood
PW142...157	-	Table,Chair and Box Parts	1.5 mm	Plywood
PW142a	-	Box Parts	1.5 mm	Plywood
PW158-159	6	Chain Bed Parts	1.5 mm	Plywood
PW160	14	Front Deck Door	1.5 mm	Plywood
PW161	6	Stair Rails	1.5 mm	Plywood
PW162	2	Stair Parts	1.5 mm	Plywood
PW163	1	Stair Parts	1.5 mm	Plywood
PW164	1	Wheelhouse Door	1.5 mm	Plywood
PW165	1	Led Panel	1.5 mm	Plywood
FLX-1	1	Back Panel	-	Flexible Plywood
FLX-2	4	Paddle House Parts	-	Flexible Plywood
K 1...10	-	Chair Parts	0.5 mm	Wood Sheet
K 11...15	-	Stair Parts	0.5 mm	Wood Sheet
P1	16	Paddle Parts	1 mm	Plexi
P2...22	-	Glass	1 mm	Plexi
P23	2	Rudder Parts	1 mm	Plexi
P24	4	Paddle Parts	2.8 mm	Plexi
P25-26	-	Door Handels	0.75 mm	Pvc
P27	1	Mirror	1 mm	Plexi
P28	2	Rudder Pal	1 mm	Mirror Plexi
3D1	1	Projector	-	3D Print-out
3D2	1	Rudder	-	3D Print-out
3D3	1	Bell	-	3D Print-out
3D4	1	Radar	-	3D Print-out
3D5	1	Anchor	-	3D Print-out
3D6	1	Telegraph	-	3D Print-out
3D7	1	Pulley	-	3D Print-out
3D8	1	Pulley	-	3D Print-out
3D9	1	Winch Chain Bed	-	3D Print-out
3D10	1	Main Winch	-	3D Print-out
3D11	1	Cylinder Air Conditioner	-	3D Print-out
3D12	1	Conic Pipe	-	3D Print-out
3D13	1	Anchor Hanger	-	3D Print-out
3D14	4	Paddle House Bollards	-	3D Print-out
3D15	8	Rail Bollards	-	3D Print-out

3D16	2	Single Bollards	-	3D Print-out
3D17	4	Chandelier	-	3D Print-out
3D18	10	Handles	-	3D Print-out
3D19	4	Lifeboat Hangers	-	3D Print-out
3D20	4	Lifeboat Hangers	-	3D Print-out
3D21	4	Cannon	-	3D Print-out
3D22	1	Windcatcher	-	3D Print-out
3D23	2	Back Windcatcher	-	3D Print-out
3D24	1	Funnel Lower Parts	-	3D Print-out
3D25	2	Chain Bed Pulley	-	3D Print-out
3D26	2	Front Deck Small Bollards	-	3D Print-out
3D27	6	Lifeboat Capsule Parts	-	3D Print-out
3D28	6	Lifeboat Capsule Parts	-	3D Print-out
3D29	1	Chain Bed	-	3D Print-out
3D30	2	Chain Bed Shorter	-	3D Print-out
3D31	2	Chain Bed Longer	-	3D Print-out
3D32	2	Paddle Center Parts	-	3D Print-out
3D33	1	Secondary Winch	-	3D Print-out
3D34	1	Secondary Winch	-	3D Print-out
3D35	100	Railing Post	-	3D Print-out
3D36	60	Railing Post	-	3D Print-out
3D37	50	Railing Post	-	3D Print-out
3D38	1	Compass	-	3D Print-out
3D39	2	Secondary Winch Head	-	3D Print-out
S1	1	Lath	1,5x1,5x300	Strips
S2	3	Lath	2x2,5x500	Strips
S3	60	Strips	1,6x5x450	Strips
S4	30	Cover Strips	0,5x4x450	Cover Strips
R1	1	Chain	600 mm	Ready
R2	1	Wax Yarn	1 mt.	Ready
R3	1	Yarn	3 mt.	Ready
R4	25	Clear Led		Ready
R5	-	Copper wire	3 mt.	Ready
R6	-	Fishline	8 mt.	Ready
R7	4	Jack	-	Ready
R8	10	Resistance	-	Ready
R9	8	Lifebouy	-	Ready
R10	2	Magnet	-	Ready
R11	2	Washer	-	Ready
ME1	1	Flat Wire	0,8x300	Flat Wire
ME2	1	Rudder Shaft	1,7x53	Metal Wire
ME3	1	Rudder Shaft Pipe	3x20	Metal Pipe
ME4	1	Radar Wire	2x50	Metal Wire
ME5	1	Main Post Wire	5x150	Metal Wire
ME6	1	Main Middle Post Wire	3x70	Metal Wire
ME7	1	Paddle Center Wire	4x155	Metal Wire
ME8	1	Funnel Front Wire	4x80	Metal Wire
ME9	1	Funnel Front Wire	1,5x10	Metal Wire
ME10	1	Funnel Front Wire	3x50	Metal Wire
ME11	1	Funnel	20x80	Metal Pipe
DC1	-	Flag Sticker Set	-	Sticker
DC2	-	Box Sticker	-	Sticker
DC3	-	Radar Sticker	-	Sticker

1...13	13	Frames	4 mm
14	1	Keel	4 mm
15-16	4	Frame Fixers	4 mm
17...19	3	Main Base Parts	4 mm
20-21	2	Seat base Parts	4 mm
22...24	5	Frame supports	4 mm
25...27	3	Console Parts	4 mm
28	2	Front seat parts	4 mm
29-30	-	Deck Support parts	4 mm
31...35	6	Back seat parts	4 mm
36...40	6	Front seat parts	4 mm
41...43	4	Base Parts	4 mm
44...46 / 58	7	Back parts	4 mm
47	2	Back Panel Supports	4 mm
48...50	4	Engine Bed Parts	4 mm
51-52	4	Rudder Parts	4 mm
53...56	5	Back Lid Parts	4 mm
57	1	Rudder	4 mm
PW1...5	5	Front end wedges	1,5 mm
PW6-7	2	Windshield supporters	1,5 mm
PW8	1	Front deck	1,5 mm
PW9...13	10	Lid and lid frame parts	1,5 mm
PW14...17	6	Back panels	1,5 mm
R1...4	4	Right panels	1,5 mm
L1...4	4	Left panels	1,5 mm
3D1	1	Wheel	-
3D2	1	Gauge panel	-
3D3	2	Handles	-
3D4	2	Portholes	-
3D5	4	Small cleats	-
3D6	1	Large cleat	-
3D7-8	2	Front end protector	-
3D9	1	Projector	-
3D10	2	Fairleads	-
3D11	1	Horn	-
3D12	2	Rails	-
3D13	1	Propeller	-
3D14	1	Propeller connecting parts	-
3D15	1	Propeller pipe	7x45 mm
ME-1	1	Propeller wire	3x42 mm
ME-2	1	Rudder pipe	3x27 mm
ME-3	1	Rudder wire	1,7x80 mm
ME-4	1	Flag Wire	1,7x50
DC-1	1	Turkmodel Flag	-
P1...P5	5	Gauges	Ready
P6	1	Projector glass	1 mm
P7	2	Porthole glasses	1 mm
SG	-	Seat sponge	-
FQ1...16	24	Seat covers	-

PVC1	1	Windshield	1 mm
K1	1	Panel cover	Ready
K2	30	Hull cover strips	0,5x10x300 mm
K3	25	Upper deck interval covers-tiny	0,5x1,5x400 mm
K4	40	Deck inside cover strips	0,5x6x400 mm
S1	2	Laths	3x5x700 mm
S2	2	Laths	4,5x5,5x700
S2	2	Laths	1,5x1,5x450



Plywood  
Plywood  
Plywood  
Plywood  
Plywood  
Plywood  
Plywood  
Plywood  
Plywood  
Plywood  
Plywood  
Plywood  
Plywood  
Plywood  
Plywood  
Plywood  
Plywood  
Plywood  
Plywood  
Plywood  
Plywood  
Plywood  
Plywood  
3D Printout  
3D Printout  
3D Printout  
3D Printout  
3D Printout  
3D Printout  
3D Printout  
3D Printout  
3D Printout  
3D Printout  
3D Printout  
3D Printout  
3D Printout  
3D Printout  
3D Printout  
3D Printout  
3D Printout  
3D Printout  
3D Printout  
3D Printout  
Metal  
Metal  
Metal  
Metal  
Sticker  
Plexy-Glass  
Plexy-Glass  
Plexy-Glass  
Sponge  
Fabric

PVC  
Walnut Cover  
Mahogany Strips  
Baswood Strips  
Baswood Strips  
Strips  
Strips  
Strips

## D/S SKIBLADNER DELE LISTE

Nr.	Antall	Beskrivelse	Dimensjon	Materiale
0-00	2	Kjøøl	4 mm	Kryssfiner
1...9	9	Spant	4 mm	Kryssfiner
9-A	2	Spant	4 mm	Kryssfiner
10...15	5	Spant	4 mm	Kryssfiner
16...19	8	Spant feste	4 mm	Kryssfiner
20	1	Lagerhus	4 mm	Kryssfiner
20a	1	Lagerhus	4 mm	Kryssfiner
21	4	Dekk støtte	4 mm	Kryssfiner
22	2	Spant feste	4 mm	Kryssfiner
23	1	Kjøøl feste	4 mm	Kryssfiner
24	1	Bunnplate	4 mm	Kryssfiner
25	2	Spant feste	4 mm	Kryssfiner
26	2	Spant feste	4 mm	Kryssfiner
27...29	5	Motordeler	4 mm	Kryssfiner
30...33	5	Rorhylse holder	4 mm	Kryssfiner
34	2	Led støtte deler	4 mm	Kryssfiner
35	1	Dekk støtte	4 mm	Kryssfiner
35a	1	Dekk støtte	4 mm	Kryssfiner
36-37	4	Skovle hus støtte	4 mm	Kryssfiner
38...40	6	Skovlehus	4 mm	Kryssfiner
41...55	28	Øvre dekk støtte	4 mm	Kryssfiner
56	2	Rammefeste	4 mm	Kryssfiner
57	1	Servoholder	4 mm	Kryssfiner
58...60	4	Båt stand	4 mm	Kryssfiner
PW1	1	Fremre dekk	1.5 mm	Kryssfiner
PW2	1	Hoved dekk	1.5 mm	Kryssfiner
PW3	1	Hoved dekk	1.5 mm	Kryssfiner
PW4	1	Hoved dekk	1.5 mm	Kryssfiner
PW5	1	Hoved dekk	1.5 mm	Kryssfiner
PW6	1	Bakre dekk	1.5 mm	Kryssfiner
PW7	1	Bakre dekk	1.5 mm	Kryssfiner
PW8...10	3	Fremre vegg deler	1.5 mm	Kryssfiner
PW11...18	11	Midtre rom deler	1.5 mm	Kryssfiner
PW19...22	7	Maskinhus deler	1.5 mm	Kryssfiner
PW23...25	10	Paddel aksling hus	1.5 mm	Kryssfiner
PW26...29	4	Røke rom	1.5 mm	Kryssfiner
PW30...36	9	Restaurant rom deler	1.5 mm	Kryssfiner
PW37...39	6	Nedre dekk dører	1.5 mm	Kryssfiner
PW40	1	Bak Vegg	1.5 mm	Kryssfiner
PW41	1	Speilramme	1.5 mm	Kryssfiner
PW42...46	14	Smoking rom stol deler	1.5 mm	Kryssfiner
PW47	2	Framre dekk deler	1.5 mm	Kryssfiner
PW48...50	6	Paneler	1.5 mm	Kryssfiner
PW-54	2	Paneler	1.5 mm	Kryssfiner
PW51...53	4	Skinner	1.5 mm	Kryssfiner
PW55...60	10	Bord deler	1.5 mm	Kryssfiner
PW61	2	Øvre framre vindus rammer	1.5 mm	Kryssfiner
PW62	2	Øvre bakre vindus rammer	1.5 mm	Kryssfiner
PW63	1	Bakre panel	1.5 mm	Kryssfiner
PW64	2	Bakre rekke	1.5 mm	Kryssfiner
PW65...67	3	Øvre dekk	1.5 mm	Kryssfiner
PW69...72	4	Øvre dekk balkong	1.5 mm	Kryssfiner
PW73...78	6	Kaptein lugar deler	1.5 mm	Kryssfiner
PW79...81	10	Redningsvest kasse	1.5 mm	Kryssfiner
PW82...84	10	Øvre dekk overlys	1.5 mm	Kryssfiner
PW85...87	6	Ventilasjon	1.5 mm	Kryssfiner
PW88	2	Styrehusdeler	1.5 mm	Kryssfiner
PW89	2	Skovlehus deler	1.5 mm	Kryssfiner
PW90...93	12	Skovlehus deler	1.5 mm	Kryssfiner

PW94-95	3	Rør deler	1.5 mm	Kryssfiner
PW96...99	5	Redningsvest kasse	1.5 mm	Kryssfiner
PW100-101	2	Røkehus bord	1.5 mm	Kryssfiner
PW102	2	Fremre trapp	1.5 mm	Kryssfiner
PW103	4	Fremre dekk trapp	1.5 mm	Kryssfiner
PW104	4	Styrehus trapp nedre	1.5 mm	Kryssfiner
PW105-106	4	Øvre bro trapp	1.5 mm	Kryssfiner
PW107-108	9	Trapp deler	1.5 mm	Kryssfiner
PW109	1	Øvre bro	1.5 mm	Kryssfiner
PW110	1	Øvre bakte lokk	1.5 mm	Kryssfiner
PW111	6	Øvre køøye	1.5 mm	Kryssfiner
PW112	12	Vindusrammer	1.5 mm	Kryssfiner
PW113	2	Styrehus støtter	1.5 mm	Kryssfiner
PW114	1	Ramme	1.5 mm	Kryssfiner
PW115...117	6	Øvre lokk	1.5 mm	Kryssfiner
PW118...125	14	Livbåt deler	1.5 mm	Kryssfiner
PW126...131	10	LED støtter	1.5 mm	Kryssfiner
PW132...141	14	Dører	1.5 mm	Kryssfiner
PW142...157	-	Bord, stoler og armlen. Deler	1.5 mm	Kryssfiner
PW142a	-	Kasse deler	1.5 mm	Kryssfiner
PW158-159	6	Kjetting kasse	1.5 mm	Kryssfiner
PW160	14	Framre dekk dør	1.5 mm	Kryssfiner
PW161	6	Trappeskinner	1.5 mm	Kryssfiner
PW162	2	Trappedeler	1.5 mm	Kryssfiner
PW163	1	Trappedeler	1.5 mm	Kryssfiner
PW164	1	Skovlehus dør	1.5 mm	Kryssfiner
PW165	1	LED støtter		Kryssfiner
FLX-1	1	Hekk plate bak	-	Kryssfiner
FLX-2	4	Skovlehus deler	-	Kryssfiner
K 1-2	6	Midstolsdeler	0.5 mm	Tre
K 3-4	2	Store stoldeler	0.5 mm	Tre
K 5-6	2	Kaptein stoldeler	0.5 mm	Tre
K 7-8	4	Kaptein Små stoldeler	0.5 mm	Tre
K9-10	6	Små stoldeler	0.5 mm	Tre
K 11...15	-	Trappedeler	0.5 mm	Tre
P1	16	Skovle deler	1 mm	Plexi
P2...12	-	Glass	1 mm	Plexi
P-13	1	Skorstein Ringe	1 mm	Plexi
P15...22	-	Glass	1 mm	Plexi
P23	2	Rordeler	1 mm	Plexi
P24	4	Skovledeler	2.8 mm	Plexi
P25-26	-	Dørhåndtak	0.75 mm	Pvc
P27	-	Speil	1 mm	Plexi
P28	-	Rordeler	1 mm	Plexi
3D-1	1	Reflektor	-	3D ferdigdel
3D-2	1	Rør	-	3D ferdigdel
3D-3	1	Bjelle	-	3D ferdigdel
3D-4	1	Radar	-	3D ferdigdel
3D-5	1	Anker	-	3D ferdigdel
3D-6	1	Telegraf	-	3D ferdigdel
3D-7	1	Pullert	-	3D ferdigdel
3D-8	1	Pullert	-	3D ferdigdel
3D-9	1	Vinsj kjetting holder	-	3D ferdigdel
3D-10	1	Hovedvinsj	-	3D ferdigdel
3D-11	1	Rund ventilator	-	3D ferdigdel
3D-12	1	Konisk rør	-	3D ferdigdel
3D-13	1	Anker feste	-	3D ferdigdel
3D-14	4	Skovlehus pullert	-	3D ferdigdel
3D-15	8	Skinne pullert	-	3D ferdigdel
3D-16	2	Enkel pullert	-	3D ferdigdel
3D-17	4	Lysekrone	-	3D ferdigdel
3D-18	10	Håndtak	-	3D ferdigdel
3D-19	4	David	-	3D ferdigdel
3D-20	4	David	-	3D ferdigdel
3D-21	4	Kanon	-	3D ferdigdel

3D-22	1	Vindskjerm	-	3D ferdigdel
3D-23	2	Bakre vindskjerm	-	3D ferdigdel
3D-24	1	Skorstein fundament	-	3D ferdigdel
3D-25	2	Kjetting holder pullert	-	3D ferdigdel
3D-26	2	Fremre dekk små pullert	-	3D ferdigdel
3D-27	6	Redningsflåte deler	-	3D ferdigdel
3D-28	6	Redningsflåte deler	-	3D ferdigdel
3D-29	1	Kjetting kasse	-	3D ferdigdel
3D-30	2	Kjetting kasse	-	3D ferdigdel
3D-31	2	Kjetting kasse	-	3D ferdigdel
3D-32	2	Skovle senter del	-	3D ferdigdel
3D-33	1	Vinsj	-	3D ferdigdel
3D-34	1	Vinsj	-	3D ferdigdel
3D-35	100	Rekkestøtte	-	3D ferdigdel
3D-36	60	Rekkestøtte	-	3D ferdigdel
3D-37	50	Rekkestøtte	-	3D ferdigdel
3D-38	1	Kompass	-	3D ferdigdel
3D-39	2	Vinsj topp	-	3D Print-out
3D-40	2	Pullert	-	3D Print-out
S1	1	List	1,5x1,5x300 mm	Trelist
S2	3	List	2x2,5x500 mm	Trelist
S3	60	Bekledningslist	1,6x5x450 mm	Trelist
S4	30	Dekslist	0,5x4x450 mm	Trelist
R1	1	Kjetting	600 mm	Ferdigdel
R2	1	Riggetråd	1 m.	Ferdigdel
R3	1	Riggetråd	3 m.	Ferdigdel
R4	25	LED lampe, klar		Ferdigdel
R5	-	Kobbertråd	3 m.	Ferdigdel
R6	-	Sen, klar plast	8 m.	Ferdigdel
R7	6	Jumper	-	Ferdigdel
R8	10	Motstand	-	Ferdigdel
R9	8	Livbøye	-	Ferdigdel
R10	2	Magnet	-	Ferdigdel
R11	2	Avstandsring	-	Ferdigdel
ME1	2	Flat ledning	0,8x500 mm	Flat ledning
ME2	1	Roraksling	1,7x53 mm	Metall
ME3	1	Roraksling hylse	3x20 mm	Metall
ME4	1	Radar kabel	2x50 mm	Metall
ME5	1	Hovedledning	5x150 mm	Metall
ME6	1	Hoved middel ledning	3x70 mm	Metall
ME7	1	Skovle aksel	4x125 mm	Metall
ME8	1	Skorstein front kabel	4x80 mm	Metall
ME9	1	Skorstein front kabel	1,5x10 mm	Metall
ME10	1	Skorstein front kabel	3x50 mm	Metall
ME11	1	Skorstin	20x80 mm	Metall
DC1	-	Flaggsett	-	Klebeetikett
DC2	-	Klistremerke	-	Klebeetikett
DC3	-	Radar klistremerke	-	Klebeetikett
FC-1-2-6	4	Lite sofa stoff	-	Stoff
FC-3...5	4	Large Sofa stoff	-	Stoff
FC-7	10	Gardin	-	Stoff

RC PARTS				
----------	--	--	--	--

RC-1	1+1	Hoved gir	-	3D ferdigdel
RC-2	1	Skru-gir	-	Metall
RC-3	1	Servo	-	Metall
RC-4	1	Motor	-	Metall
RC-5	1	Lager	-	Metall
RC-6	2	Stopp ring	-	Metall
RC-7	2	Aksling Adapter	-	Metall
RC-8	2	Ror skruer	-	Metall
RC-9	2	Servo Skruer	-	Metall
RC-10	1	Skruer	-	Metall
RC-11	2	Motor skruer	-	Metall
RC-12	2	Mutter	-	Metall

## ASISTANT GUIDE

- ❖ Please read the instructions carefully before you start to build your model. Take notes if needed. So, you may find out the materials and the tools those you need.
- ❖ Use model knife to take out the parts the plywood sheets. Do not take them out with hand!
- ❖ Change of temperature effects on plywoods quickly. So that, do not release the plywoods. Keep them on a flat surface by putting weight on them.
- ❖ You may stick together the wooden parts easily if you sand the brown areas caused by laser with sand paper.
- ❖ You should use super glue and white glue to stick together the wooden parts and use the super glue for metal parts.
- ❖ Building the keel of your model, before stick the frames, be sure the frames properly seated on the keel. Otherwise you can't build the body of the model rightly. Exactly be sure that left and right side of the frames are compatible and symmetrical.
- ❖ After building the keel of your model, before the covering, you should test the frame edges by a cover strip. You should sand with a piece of sandpaper the frame edges at the right degree to touch the strips on to the surface exactly. The curves are mostly the front and back side of the body.
- ❖ You should keep the strip tips in the bowl filled with water approximately one hour. So that you may curve the strips on the curves easily these are mostly at the end and the front of the hull.
- ❖ You should cover the strip starting from the top for each side symmetrically.
- ❖ You should cut the upper side of the strip when overlap occurs especially at the front curve of the body.
- ❖ To make equal the surface of the body that caused by planking, you should sand with a piece of sandpaper (Firstly you should use thick sandpaper, then you can apply thin sandpaper), . You should fill the gaps after this processing. You may use leftover strips for wide gaps and model putty for small gaps.
- ❖ If you don't want to appear wooden tissue of the body of your model body; first, apply filler undercoat then sand with a thin sandpaper to make it ready to apply putty. Apply putty whole body and sandpaper again. Apply one more coat filler undercoat and sandpaper. You should not use very thick sandpaper to sand the putty and filler undercoat. You should repeat this process until you get the results as you want. You should apply undercoat paint to find out if any mistake appears at the body. The body gets ready for painting after these applications. You may use model brushes for filler coating. In order to understand whether the materials (such paint, filler, undercoat, varnish, etc.) are compatible with each other, you should test on the unnecessary parts.
- ❖ Some of the model's logo, name or the number are produced from decal paper. You should keep them in a bowl filled with warm water for two or three minutes. You should apply them to their places while releasing from their paper. You may attach easily If you apply gloss varnish to the place before applying the decals. You may apply matt, gloss or satin varnish after this application preferably.
- ❖ You should keep your model away from direct sunlight, heat and moist to avoid deformation in the course of time.