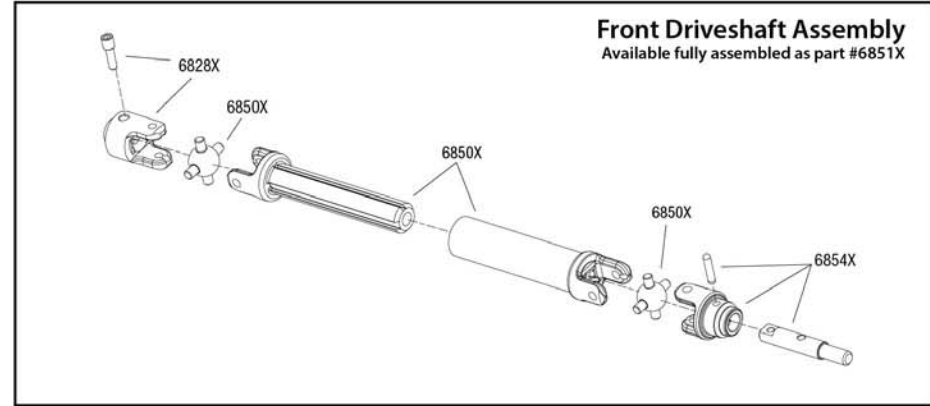
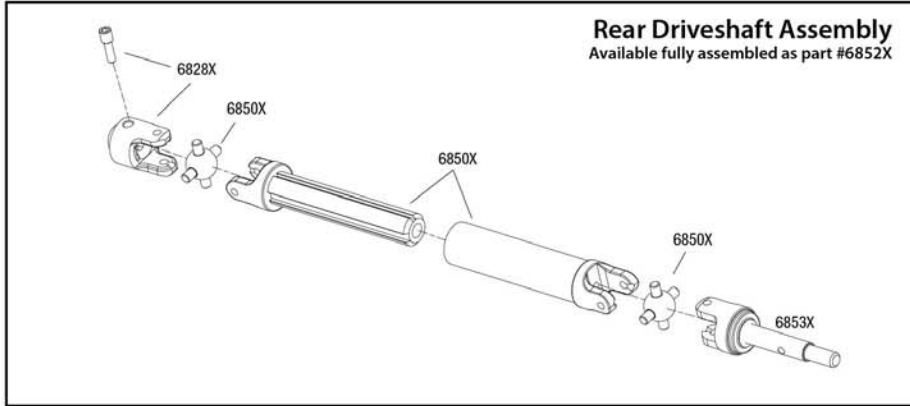
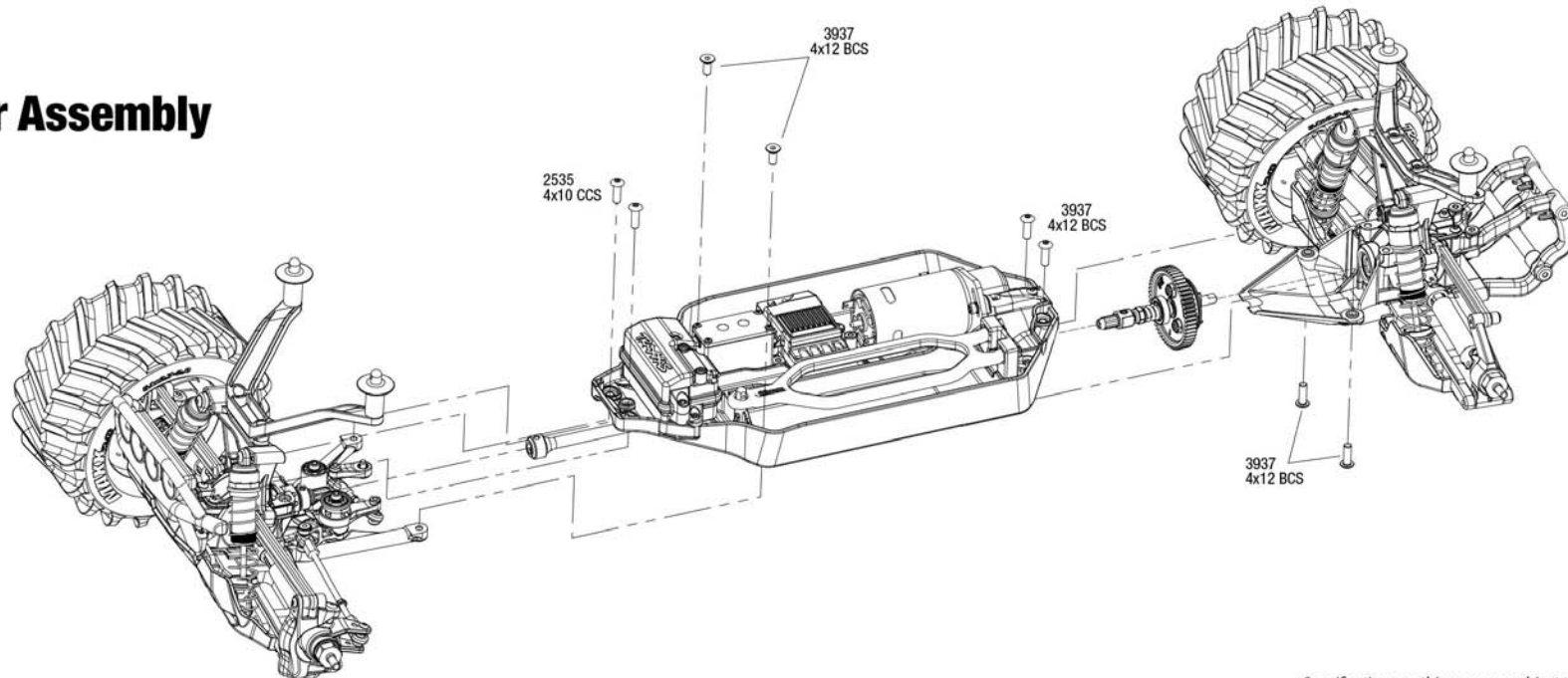




## Driveshaft Assembly



## Modular Assembly



REV 220112-R01

Specifications on this page are subject to change without notice.  
Every attempt has been made to ensure the accuracy of this drawing, however Traxxas cannot