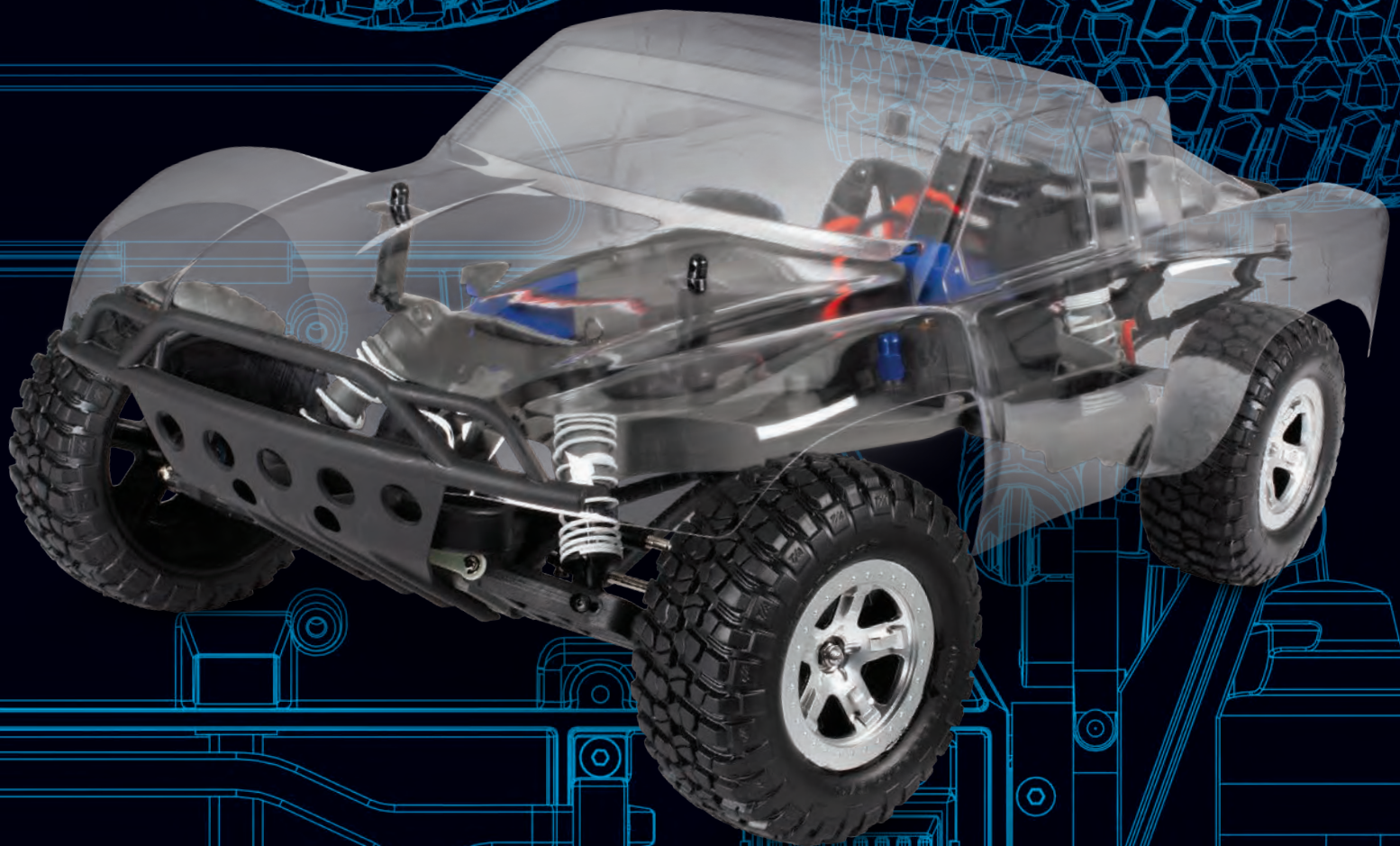


SLASH

MODEL 58014-4



TRAXXAS

ASSEMBLY MANUAL



FIRE HAZARD! Your model is able to use LiPo batteries. Charging and discharging batteries has the potential for fire, explosion, serious injury, and property damage if not performed per the instructions. Before use, read and follow all manufacturer's instructions, warnings, and precautions. In addition, Lithium Polymer (LiPo) batteries pose a SEVERE risk of fire if not properly handled per the instructions and require special care and handling procedures for long life and safe operation. LiPo batteries are intended only for advanced users that are educated on the risks associated with LiPo battery use. Traxxas does not recommend that anyone under the age of 18 use or handle LiPo battery packs without the supervision of a knowledgeable and responsible adult. Dispose of used batteries according to the instructions.

Important Warnings for users of Lithium Polymer (LiPo) batteries:

- Your model is able to use LiPo batteries. LiPo batteries have a minimum safe discharge voltage threshold that should not be exceeded. The electronic speed control is equipped with built-in Low-Voltage Detection that alerts the driver when LiPo batteries have reached their minimum voltage (discharge) threshold. It is the driver's responsibility to stop immediately to prevent the battery pack from being discharged below its safe minimum threshold.
- Low-Voltage Detection is just one part of a comprehensive plan for safe LiPo battery use. It is critical to follow all instructions for safe and proper charging, use, and storage of LiPo batteries. Make sure you understand how to use your LiPo batteries. If you have questions about LiPo battery usage, please consult with your local hobby dealer or contact the battery manufacturer. As a reminder, all batteries should be recycled at the end of their useful life.
- ONLY use a Traxxas iD charger to charge Traxxas iD batteries. ONLY use a Lithium Polymer (LiPo) balance charger with a balance adapter port to charge LiPo batteries. Never use NiMH or NiCad-type chargers or charge modes to charge LiPo batteries. DO NOT charge LiPo batteries with a NiMH-only charger. The use of a NiMH or NiCad charger or charge mode will damage LiPo batteries and may cause fire, personal injury, and/or property damage.
- NEVER charge LiPo battery packs in series or parallel. Charging packs in series or parallel may result in improper charger cell recognition and an improper charging rate that may lead to overcharging, cell imbalance, cell damage, and fire.
- ALWAYS inspect your LiPo batteries carefully before charging. Look for any loose leads or connectors, damaged wire insulation, damaged cell packaging, impact damage, fluid leaks, swelling (a sign of internal damage), cell deformity, missing labels, or any other damage or irregularity. If any of these conditions are observed, do not charge or use the battery pack. Follow the disposal instructions included with your battery to properly and safely dispose of the battery.
- DO NOT store or charge LiPo batteries with or around other batteries or battery packs of any type, including other LiPos.
- Store and transport your battery pack(s) in a cool dry place. DO NOT store in direct sunlight. DO NOT allow the storage temperature to exceed 140°F or 60°C, such as in the trunk of a car, or the cells may be damaged and create a fire risk.
- DO NOT disassemble LiPo batteries or cells.
- DO NOT attempt to build your own LiPo battery pack from loose cells.

Charging and handling precautions for all battery types:

- BEFORE you charge, ALWAYS confirm that the charger settings exactly match the type (chemistry), specification, and

WARNING! CAUTION! DANGER!



configuration of the battery to be charged. DO NOT exceed the maximum manufacturer recommended charge rate.

- DO NOT attempt to charge non-rechargeable batteries (explosion hazard), batteries that have an internal charge circuit or a protection circuit, batteries that have been altered from original manufacturer configuration, or batteries that have missing or unreadable labels, preventing you from properly identifying the battery type and specifications. ALWAYS use a Traxxas iD charger to charge Traxxas iD batteries. DO NOT use a non-Traxxas charger to charge Traxxas iD batteries. It is not recommended, but if you choose to use a non-Traxxas charger or battery, read and follow all of the manufacturer's warnings and instructions.
- DO NOT exceed the maximum manufacturer recommended charge rate.
- DO NOT let any exposed battery contacts or wires touch each other. This will cause the battery to short circuit and create the risk of fire.
- While charging or discharging, ALWAYS place the battery (all types of batteries) in a fire retardant/fire proof container and on a non-flammable surface such as concrete.
- DO NOT charge batteries inside of an automobile. DO NOT charge batteries while driving in an automobile.
- NEVER charge batteries on wood, cloth, carpet, or on any other flammable material.
- ALWAYS charge batteries in a well-ventilated area.
- REMOVE flammable items and combustible materials from the charging area.
- DO NOT leave the charger and battery unattended while charging, discharging, or anytime the charger is ON with a battery connected. If there are any signs of a malfunction or in the event of an emergency, unplug the charger from the power source and disconnect the battery from the charger.
- DO NOT operate the charger in a cluttered space, or place objects on top of the charger or battery.
- If any battery or battery cell is damaged in any way, DO NOT charge, discharge, or use the battery.
- Keep a Class D fire extinguisher nearby in case of fire.
- DO NOT disassemble, crush, short circuit, or expose the batteries to flame or other source of ignition. Toxic materials could be released. If eye or skin contact occurs, flush with water.
- If a battery gets hot to the touch during the charging process (temperature greater than 110°F / 43°C), immediately disconnect the battery from the charger and discontinue charging.
- Allow the battery pack to cool off between runs (before charging).
- ALWAYS unplug the charger and disconnect the battery when not in use.
- ALWAYS unplug the battery from the electronic speed control when the model is not in use and when it is being stored or transported.
- DO NOT disassemble the charger.
- REMOVE the battery from your model or device before charging.
- DO NOT expose the charger to water or moisture.
- ALWAYS store battery packs safely out of the reach of children or pets. Children should always have adult supervision when charging and handling batteries.
- Nickel-Metal Hydride (NiMH) batteries must be recycled or disposed of properly.
- Always proceed with caution and use good common sense at all times.

SAFETY PRECAUTIONS

All of us at Traxxas want you to safely enjoy your new model. Operate your model sensibly and with care, and it will be exciting, safe, and fun for you and those around you. Failure to operate your model in a safe and responsible manner may result in property damage and serious injury. The precautions outlined in this manual should be strictly followed to help ensure safe operation. You alone must see that the instructions are followed and the precautions are adhered to.

Important Points to Remember

- Your model is not intended for use on public roads or congested areas where its operation can conflict with or disrupt pedestrian or vehicular traffic.
- Never, under any circumstances, operate the model in crowds of people. Your model is very fast and could cause injury if allowed to collide with anyone.
- Because your model is controlled by radio, it is subject to radio interference from many sources that are beyond your control. Since radio interference can cause momentary losses of radio control, always allow a safety margin in all directions around the model in order to prevent collisions.
- The motor, battery, and speed control can become hot during use. Be careful to avoid getting burned.
- Don't operate your model at night, or anytime your line of sight to the model may be obstructed or impaired in any way.

Speed Control

Your model's electronic speed control (ESC) is an extremely powerful electronic device capable of delivering high current. Please closely follow these precautions to prevent damage to the speed control or other components.

- **Disconnect the Battery:** Always disconnect the battery or batteries from the speed control when not in use.
- **Insulate the Wires:** Always insulate exposed wiring with heat shrink tubing to prevent short circuits.
- **Transmitter on First:** Switch on your transmitter first before switching on the speed control to prevent runaways and erratic performance.
- **Don't Get Burned:** The ESC and motor can become extremely hot during use, so be careful not to touch them until they cool. Supply adequate airflow for cooling.
- **Use the Factory-Installed Connectors:** Do not change the battery and motor connectors. Improper wiring can cause fire or damage to the ESC. Please note that modified speed controls can be subject to a rewiring fee when returned for service.

- **No Reverse Voltage:** The ESC is not protected against reverse polarity voltage.
- **No Schottky Diodes:** External Schottky diodes are not compatible with reversing speed controls. Using a Schottky diode with your Traxxas speed control will damage the ESC and void the 30-day warranty.
- **Always** adhere to the minimum and maximum limitations of the speed control as stated in the specifications table in the Owner's Manual. If your ESC operates on two batteries, do not mix battery types and capacities. Use the same voltage and capacity for both batteries. Using mismatched battery packs could damage the batteries and electronic speed control.

Recycling Traxxas Power Cell NiMH Batteries

Traxxas strongly encourages you to recycle Power Cell NiMH batteries when they reach the end of their useful life. Do not throw batteries in the trash. All Power Cell NiMH battery packs display the RBRC (Rechargeable Battery Recycling Corporation) icon, indicating they are recyclable. To find a recycling center near you, ask your local hobby dealer or visit www.call2recycle.org.

Thank you for purchasing the Traxxas Slash unassembled kit. The Traxxas Slash short-course race truck puts you in the driver's seat for intense fender-to-fender, high-flying off-road action. Bringing the thrill of 900+ horsepower full-scale racing and head-to-head competition to your own backyard. The rear-wheel drive Slash is purpose built to fly over jumps and rip full-throttle through the turns. The Slash hangs it out for an all new way to challenge your driving skills. The 4-wheel independent suspension and racing tires carefully replicate real world driving and handling experience as closely as possible.

This manual details the assembly of the Slash. This manual will also acquaint you with the model's many different components and its mechanical operation. Read through the manual and examine the model carefully before opening any of the parts bags included in the kit. If for some reason you think the model is not what you wanted, then do not continue any further. Your hobby dealer absolutely cannot accept a model for return or exchange which has been run or contains open bags.

If you have any questions about your Slash, call Traxxas' technical support department at 1-888-TRAXXAS (1-888-872-9927) (U.S. residents only). Outside the U.S., call +1-972-549-3000. Technical support is available Monday through Friday, from 8:30am to 9:00pm central time. Technical assistance is also available at Traxxas.com/support or via e-mail at support@Traxxas.com.

Join thousands of registered members in our online community at Traxxas.com. Traxxas offers a full-service, on-site repair facility to handle any of your Traxxas service needs. Maintenance and replacement parts may be purchased directly from Traxxas by phone or online at Traxxas.com. You can save time, along with shipping and handling costs, by purchasing replacement parts from your local dealer. Do not hesitate to contact us with any of your product support needs. We want you to be thoroughly satisfied with your new model!

ASSEMBLY HINTS

To assemble this kit, you'll need a large flat working area where you will have plenty of room to build. Be sure it's a place where you can leave your work spread out and not in the way when you want to take a break from the assembly. Allow yourself plenty of time to build this kit; assembly time is going to vary with each individual. Experienced builders may only need 4-5 hours to assemble this kit, while others may spend an entire weekend on it. You should feel comfortable with taking as much time as needed to properly build and set up your model.

If you've been exploring the contents of your kit box, you've noticed many bags of small parts. Open only one bag at a time. To keep the parts organized, use small paper plates or several large plastic plates with partitions to contain the

parts. Label the paper plates, and then pour the contents of the bags onto them. This puts the parts out in the open where you can find them easily. The plates also prevent small parts from rolling off the table.

Please read the text next to each diagram. The text contains important information, such as assembly steps, screw sizes, and part numbers. Also, pay attention to any notes that may follow some steps. Before you attempt to run your newly-built model, please read all of the instructions and precautions included in the Owner's Manual. You can download the Owner's Manual for the Slash, as well as the manuals for all Traxxas vehicles, at Traxxas.com.

Remember, as you assemble your Traxxas model, you are not alone. If you have any questions or run into difficulties, call Traxxas' technical support department at 1-888-TRAXXAS (1-888-872-9927) (U.S. residents only). Outside the U.S., call +1-972-549-3000. Technical support is available Monday through Friday, from 8:30am to 9:00pm central time.

ITEMS YOU WILL NEED

Some of the tools that you may need in the maintenance and repair of your model have been provided. These include:

- Antenna nut wrench
- 1.5mm "L" wrench
- Turnbuckle wrench
- 2.0mm "T" wrench
- 4-way wrench
- 2.5mm "T" wrench

Required but not included:

- Phillips screwdriver
- 4 AA alkaline batteries
- NiMH battery pack or LiPo battery pack
- NiMH/LiPo battery charger
- Safety glasses
- Needle nose pliers
- Polycarbonate RC Body Paint

The following items are not required for the operation of your model, but are a good idea to include in any RC toolbox:

- Metric hex driver set (part #3415)
(highly recommended for kit assembly)
- Hobby knife
- Side cutters
- Traxxas Ultra Premium Tire Glue (CA glue) (part #6468)

These items can be purchased from your hobby dealer.

INTRODUCTION

RADIO SYSTEM INSTRUCTIONS

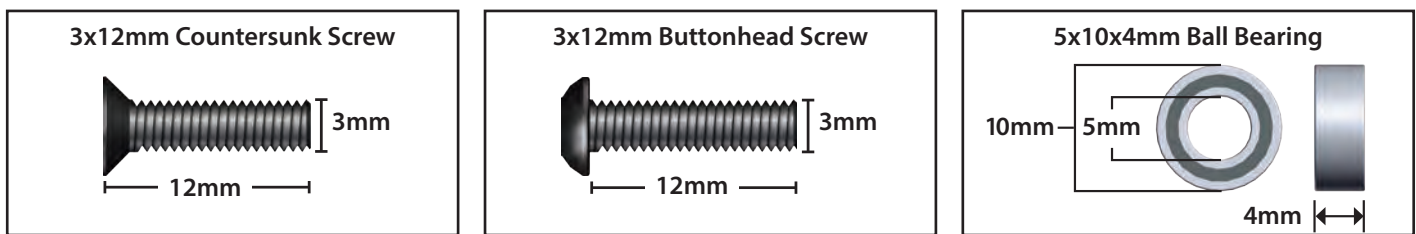
The Traxxas TQ 2.4GHz radio system is provided with your unassembled kit. Complete instructions for operating the radio system are included in the Slash Owner's Manual. You can download the Owner's Manual for the Slash, as well as the manuals for all Traxxas vehicles, at Traxxas.com.

WARRANTY STATEMENT












Every effort has been made in component design and material selection to make your model as durable as possible and still maintain a weight consistent with good handling. Because this model is intended for operation under severe conditions, no warranties are expressed nor implied relating to the longevity of the parts. If you find that a part has a defect in materials or workmanship, please return it to us BEFORE IT IS USED, and we will gladly replace it. Damage caused by excessive force, abuse, neglect or failure to adhere to the precautions outlined in the literature contained with your model will void the warranty.

HARDWARE DESCRIPTIONS

The following chart is provided to help you identify the many different sizes and types of hardware that are used in the assembly of this model. Note the difference between the length measurements of the roundhead and countersunk screws. A ruler is provided at the bottom of each page to measure the length of the screws in millimeters.










ABBREVIATIONS

	CCS Countersunk Cap Screw		GS Set (Grub) Screw
	CS Cap Screw		PTW PTFE Washer
	FCS Flathead Cap Screw		MW Metal Washer
	BCS Buttonhead Cap Screw		E E-Clip
	CSS Cap Shoulder Screw		BB Ball Bearing
	NL Nylon Locknut		

ICON DESCRIPTIONS

There are icons in this assembly instruction which indicate certain actions needed during assembly.

<p><i>White: Silicone</i></p>  <p>Grease Tube Apply included grease to part indicated.</p> <p><i>Black: Black Lithium</i></p>	 <p>Turn Icon Indicates assembly needs to be flipped or turned around.</p>	 <p>Oil Bottle Use included silicone shock oil.</p>
 <p>Repeat Icon Repeat step the number of times indicated.</p> 	 <p>Optional Part Icon Optional part available. Refer to included parts list.</p>	 <p>Aluminum Part Icon Aluminum accessory part available. Refer to included parts list.</p>

A. DIFFERENTIAL ASSEMBLY

DIFFERENTIAL BAG

Differential Housing with Steel Ring Gear

Differential Cover Plate

Sun Gear (2)



2.5x8.8mm Pin



Planetary Gear (4)



2.5x15.8mm Pin (4)



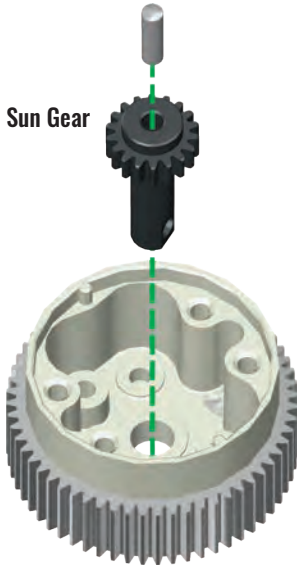
2.6x8mm CCS (4)



Black Lithium Grease

A1. Install a sun gear into differential housing

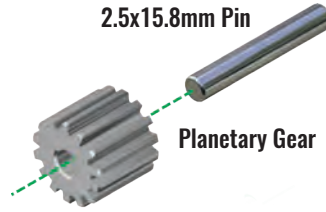
2.5x8.8mm Pin



Differential Housing with Steel Ring Gear

A2. Assemble planetary gears and install into differential housing

2.5x15.8mm Pin



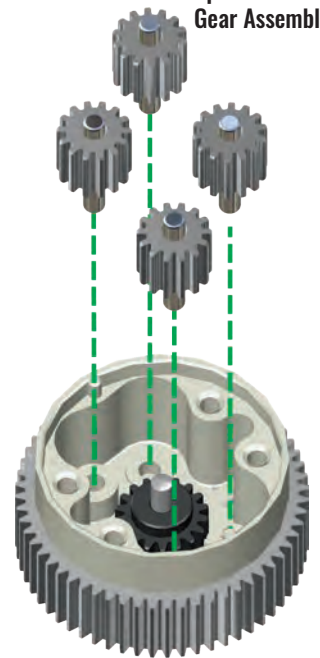
Planetary Gear



Completed Planetary Gear Assembly

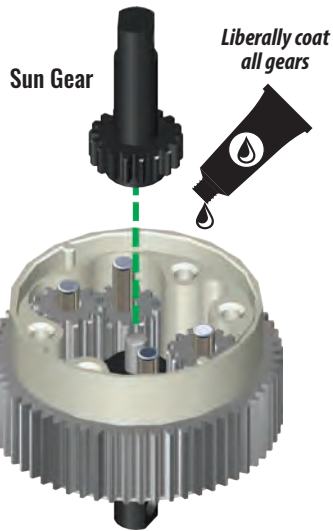
x4

Completed Planetary Gear Assembly



Differential Housing with Steel Ring Gear

A3. Install remaining sun gear into differential housing

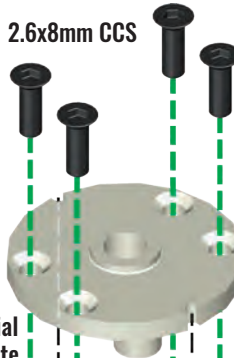


Liberally coat all gears

Sun Gear

A4. Install differential cover plate

2.6x8mm CCS



Differential Cover Plate

Completed Differential Assembly



Align notches

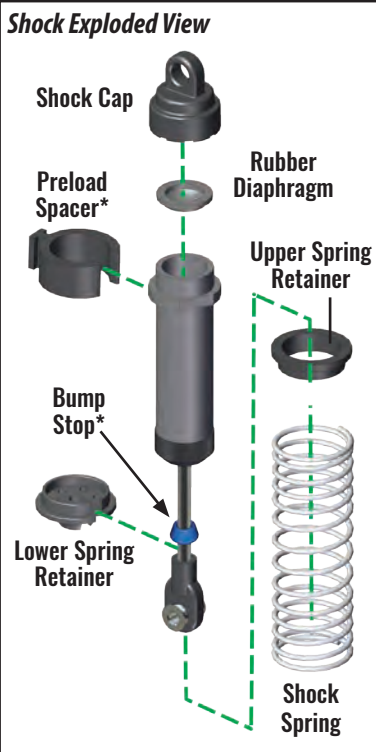
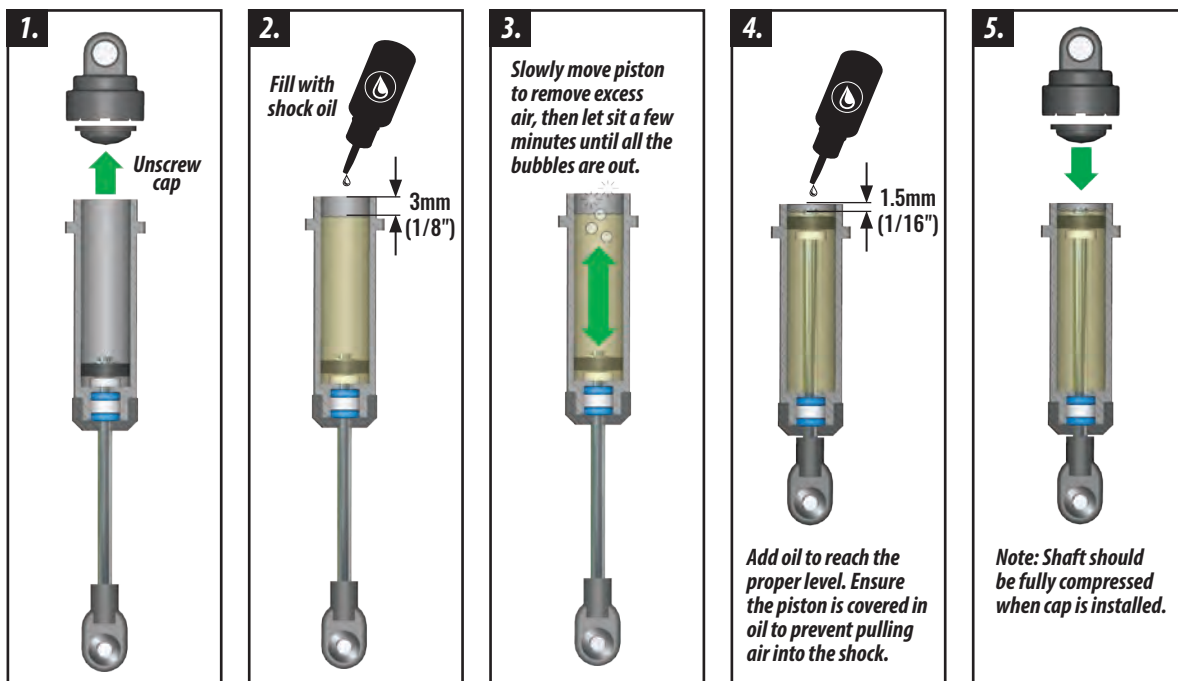
B. SHOCK ASSEMBLY

SHOCK BAG

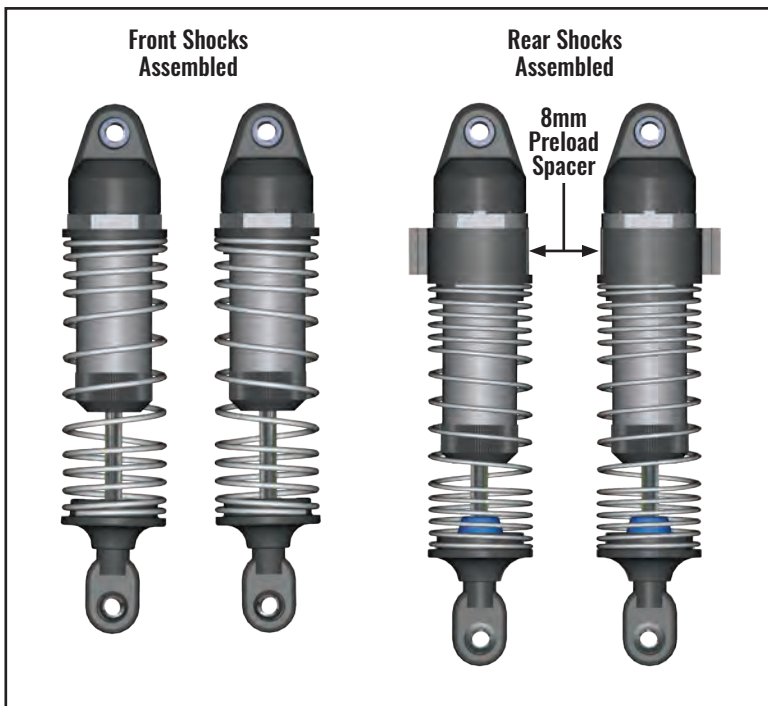
- Shock Assemblies
- Silicone Shock Oil
- Front Shock Springs (Short)
- Rear Shock Springs (Long)
- Upper Spring Retainers (4)
- Lower Spring Retainers (4)
- Preload Spacers (2)

B1. Assemble front and rear shocks

x4



Exercise shock to make sure it compresses fully. If it does not, it is overfilled.



**8mm preload spacer and bump stop on rear shocks only*

ACCESSORY

- A** Aluminum Accessory
3767A Blue Shock Caps
3767G Green Shock Caps
3767X Red Shock Caps
- O** Option Part
Titanium Nitride Shock Shafts
1664T Long
2656T XX-long



C. REAR MODULE ASSEMBLY

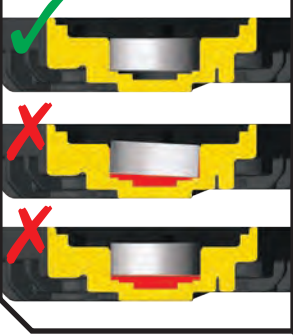
TRANSMISSION BAG

Gearbox Halves (L&R)

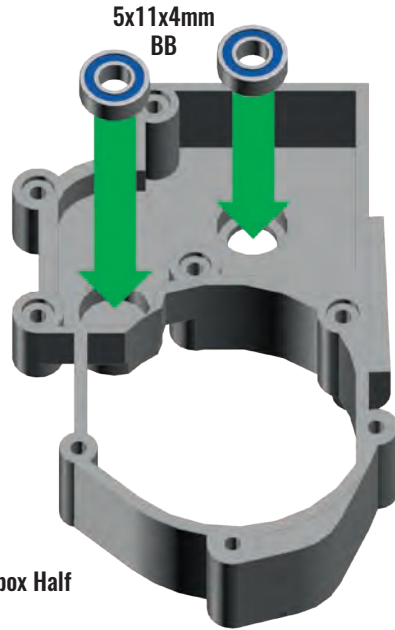
5x11x4mm BB (4)



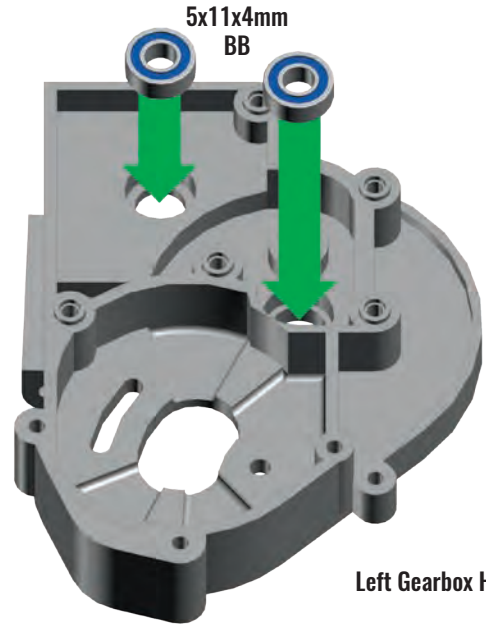
Note: Bearing Seating
Press down hard to ensure bearings are fully seated.



C1. Insert 5x11x4mm bearings into gearbox halves



Right Gearbox Half



Left Gearbox Half

TRANSMISSION BAG

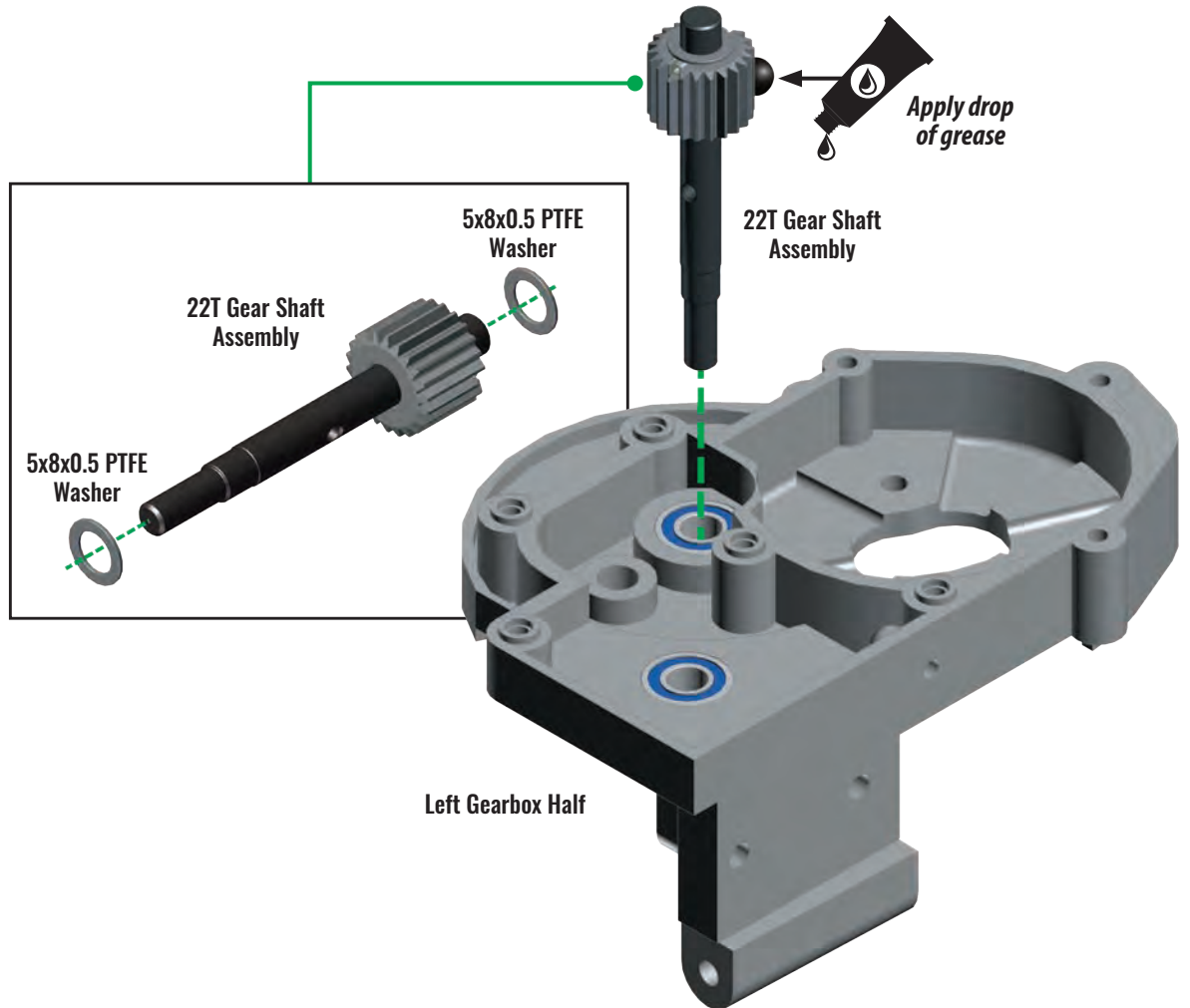
22T Gear Shaft Assembly



5x8x0.5 PTFE Washer (2)



C2. Install 5x8x0.5 washers on gear shaft assembly and install into left gear box half



Left Gearbox Half

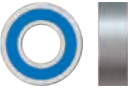
DIFFERENTIAL BAG

Black Lithium Grease

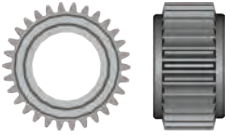
C. REAR MODULE ASSEMBLY

TRANSMISSION BAG

5x11x4mm BB (2)



30T Idler Gear



Idler Gear Shaft



5x8x0.5 PTFE Washer (2)

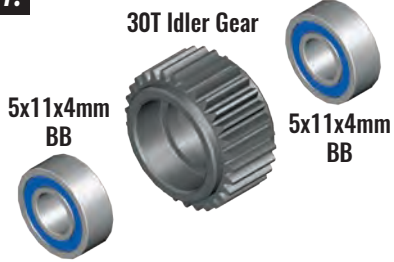


DIFFERENTIAL BAG

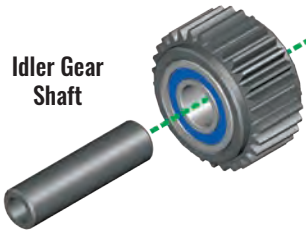
Black Lithium Grease

C3. Assemble idler gear shaft and install idler gear shaft assembly into left gear box half

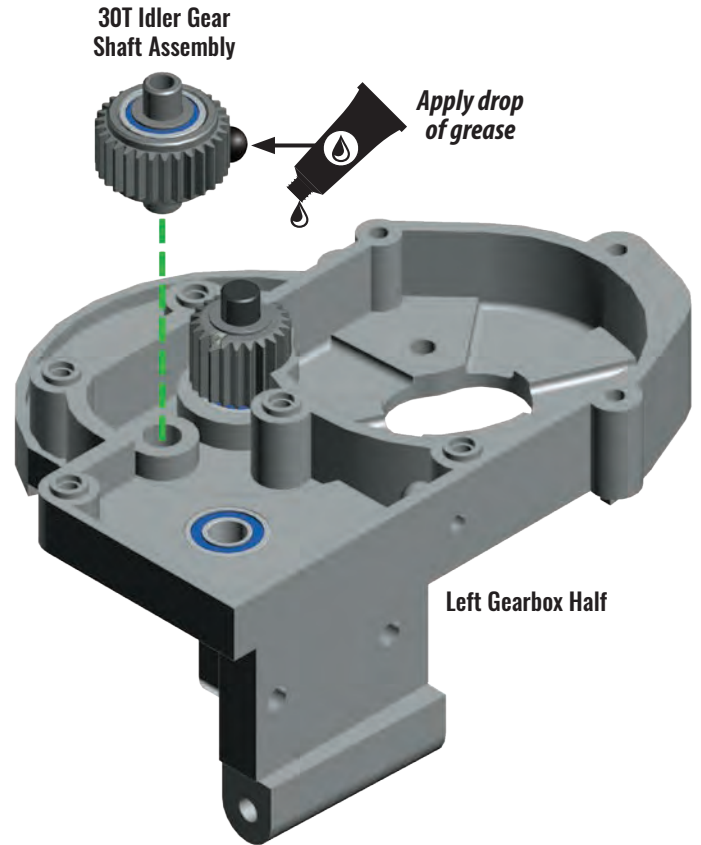
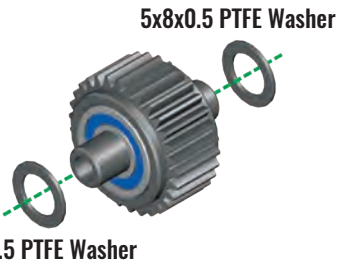
1.



2.



3.



TRANSMISSION BAG

3x23mm BCS (5)



3x20mm BCS

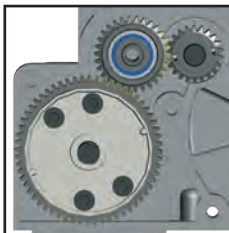
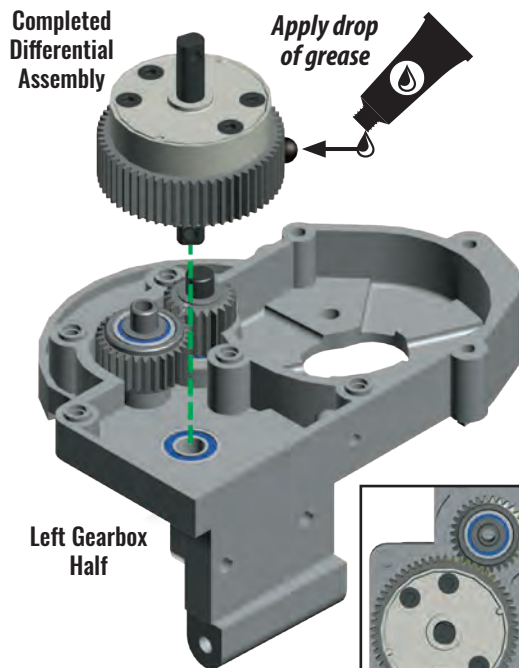


Black Tape

DIFFERENTIAL BAG

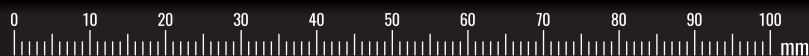
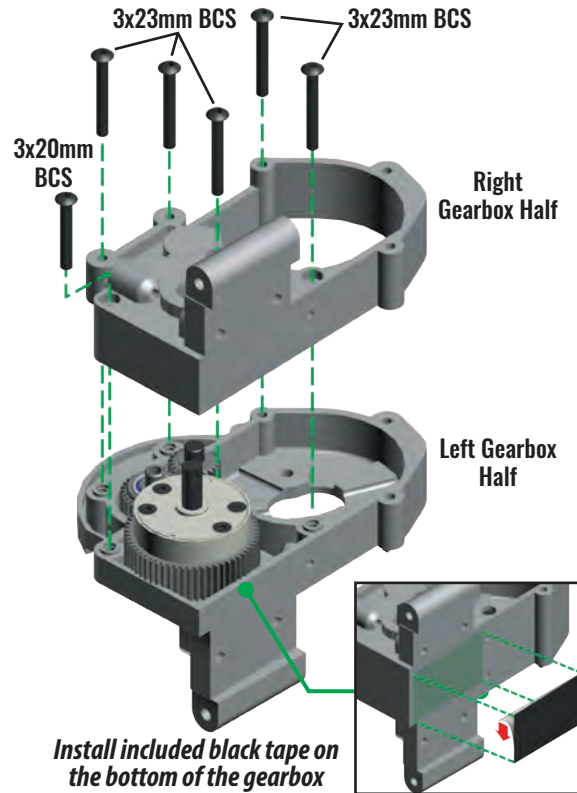
Black Lithium Grease

C4. Install differential assembly into left gearbox half



Note: Make sure the gears are meshed

C5. Assemble transmission case



C. REAR MODULE ASSEMBLY

TRANSMISSION BAG

3x8mm FCS (2)



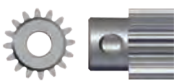
Fixed Gear Adapter



ELECTRONICS BAG

Titan 12T Motor

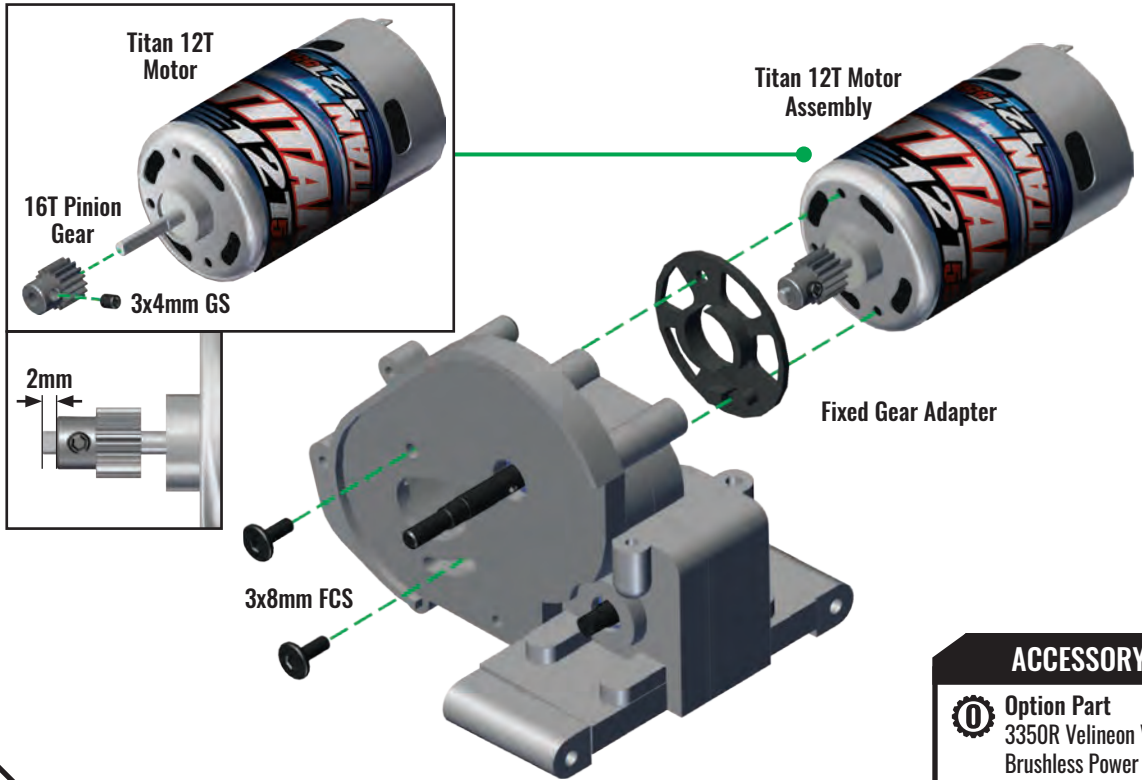
16T Pinion Gear



3x4mm GS



C6. Install pinion gear onto motor and install motor into transmission case



ACCESSORY

Option Part
3350R Velineon VXL-3s
Brushless Power System

TRANSMISSION BAG

Slipper Clutch Spring

Slipper Steel Disc

Slipper Pressure Plate

Slipper Hub

2x10mm Pin



5x11x4mm BB



Slipper Friction Pad (3)



M4x0.7 NL

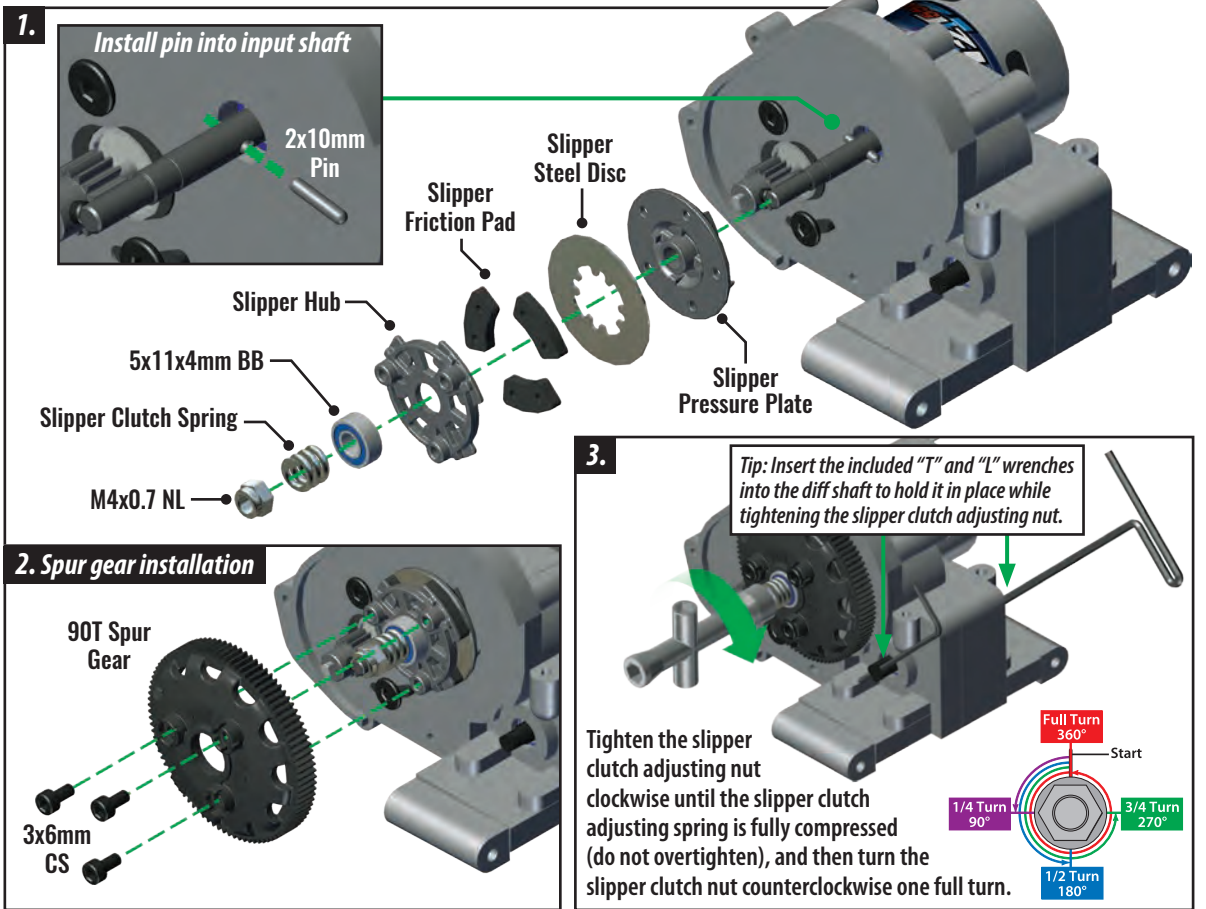


3x6mm CS (3)



90T Spur Gear

C7. Assemble slipper clutch and spur gear onto the input shaft

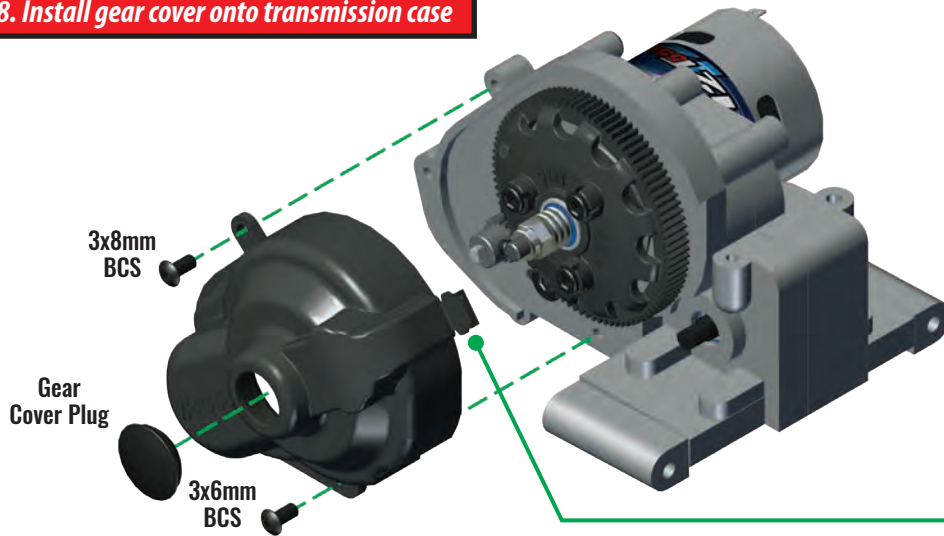


C. REAR MODULE ASSEMBLY

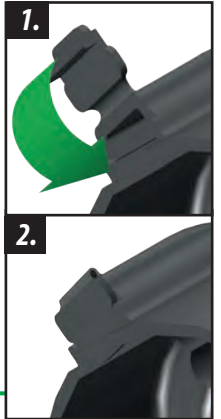
TRANSMISSION BAG

C8. Install gear cover onto transmission case

- Gear Cover
- Gear Cover Plug
- 3x6mm BCS
- 3x8mm BCS



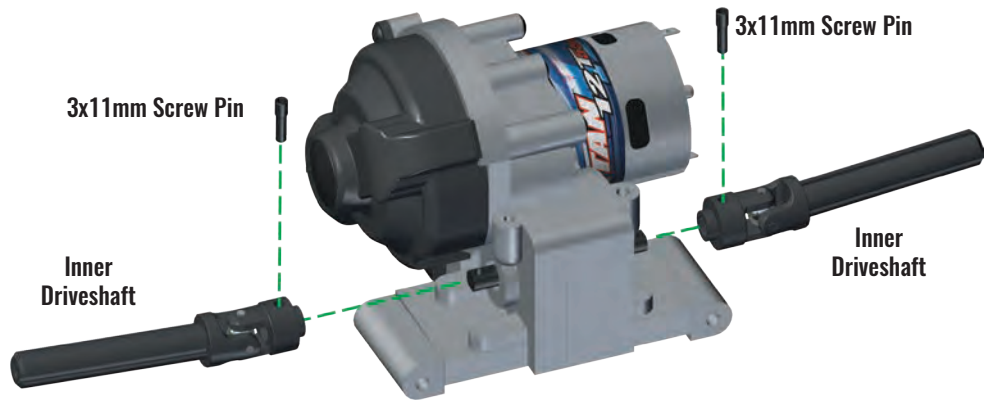
Fold in gear cover tab before installation



TRANSMISSION BAG

C9. Install inner driveshafts onto transmission case

- Inner Driveshafts
- 3x11mm Screw Pin (2)



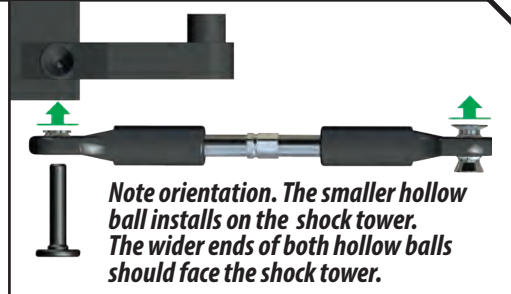
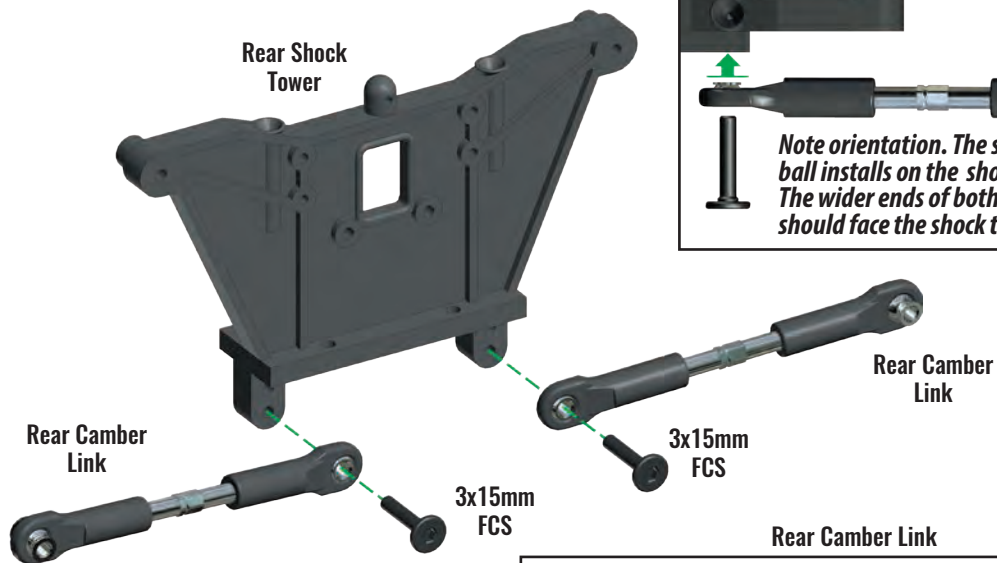
ACCESSORY

- Option Part
- 6852R CV Driveshafts

REAR SUSPENSION BAG

C10. Attach the camber links to the rear shock tower

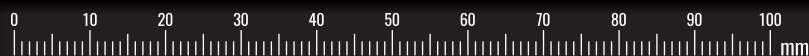
- Rear Shock Tower
- Rear Camber Links (2)
- 3x15mm FCS (2)



Note orientation. The smaller hollow ball installs on the shock tower. The wider ends of both hollow balls should face the shock tower.

ACCESSORY

- Aluminum Accessory
- 3737 Red Camber Links
- 3737A Blue Camber Links

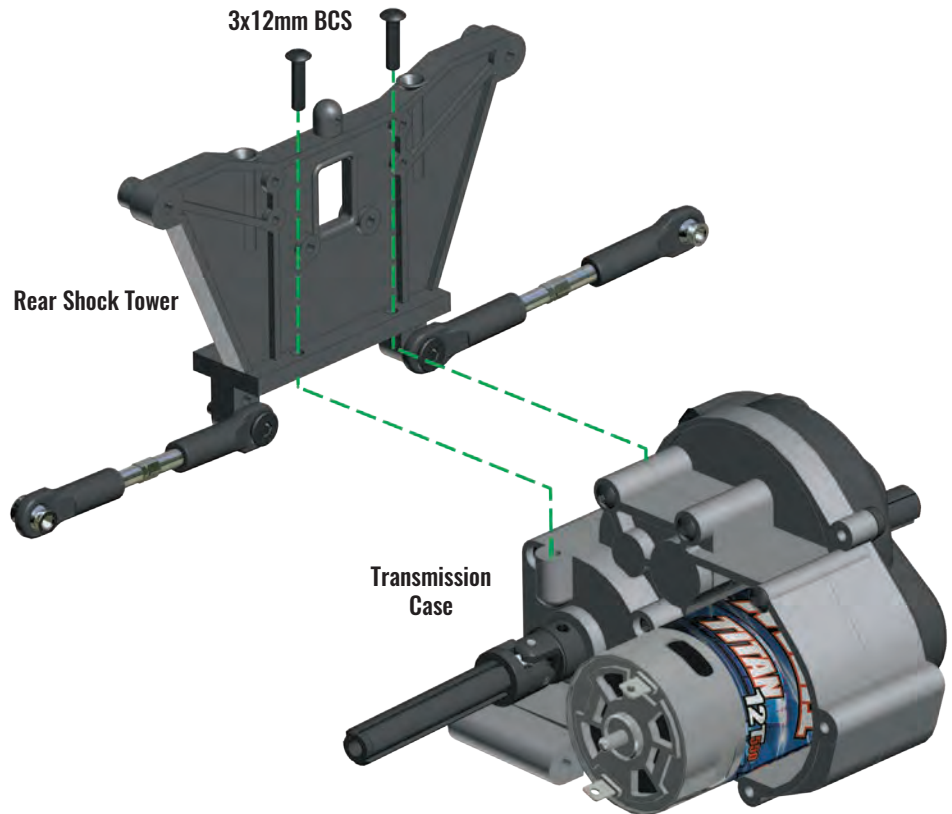


C. REAR MODULE ASSEMBLY

REAR SUSPENSION BAG

C11. Attach the rear shock tower to transmission case

3x12mm BCS (2)

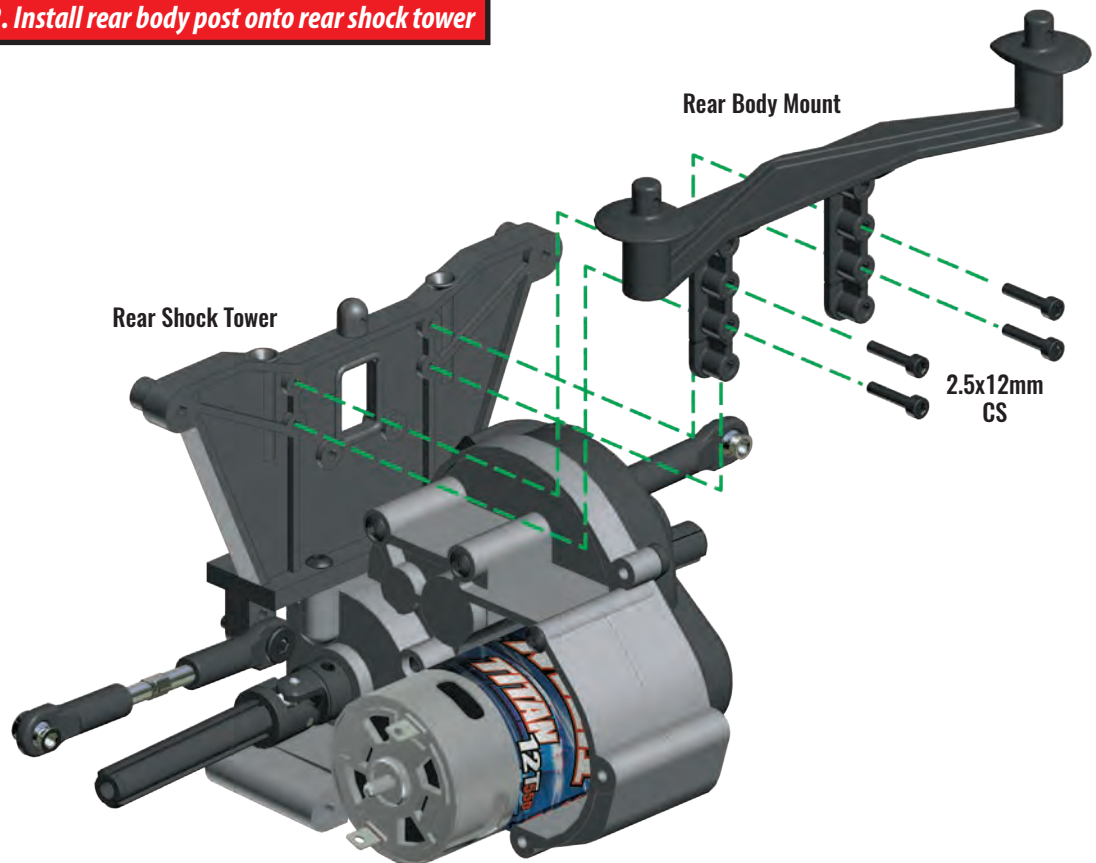


REAR SUSPENSION BAG

C12. Install rear body post onto rear shock tower

Rear Body Mount

2.5x12mm CS (4)



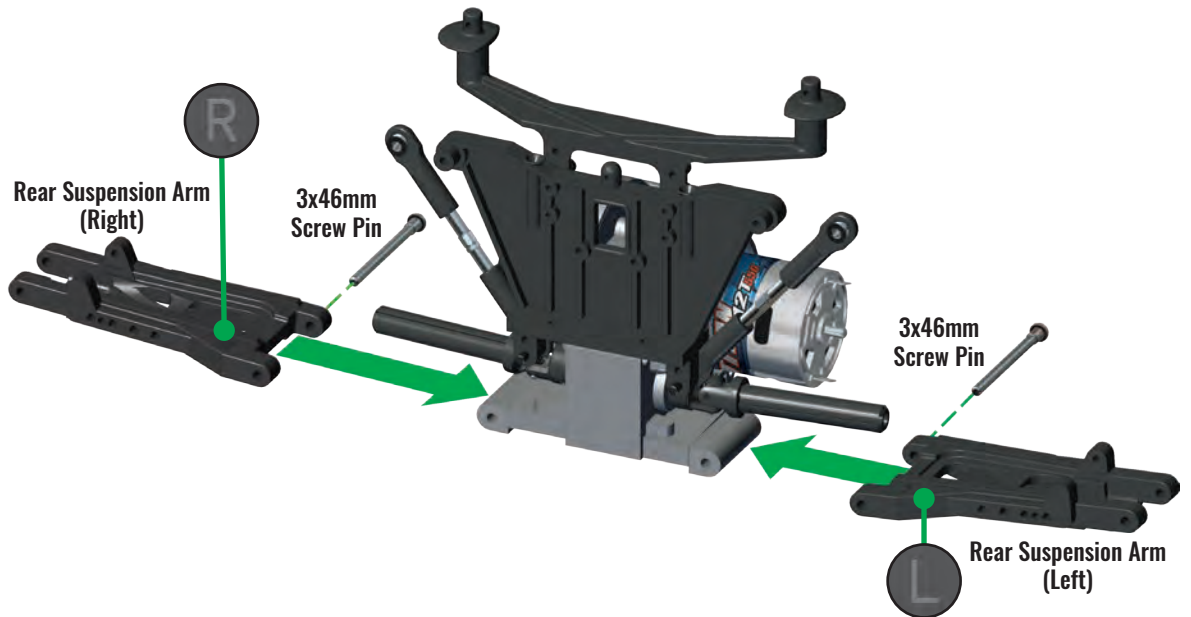
C. REAR MODULE ASSEMBLY

REAR SUSPENSION BAG

C13. Install rear suspension arms onto transmissions case

Rear Suspension Arm (L&R)

3x46mm Screw Pin (2)



ACCESSORY

- O** Option Part Heavy Duty Suspension Arms (various colors; see included parts list)

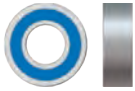
REAR SUSPENSION BAG

C14. Assemble outer driveshafts and hub

Rear Axle Carrier (2)

Outer Driveshaft with Stub Axle (2)

5x11x4mm BB (4)



2x10mm Stub Axle Pin (2)

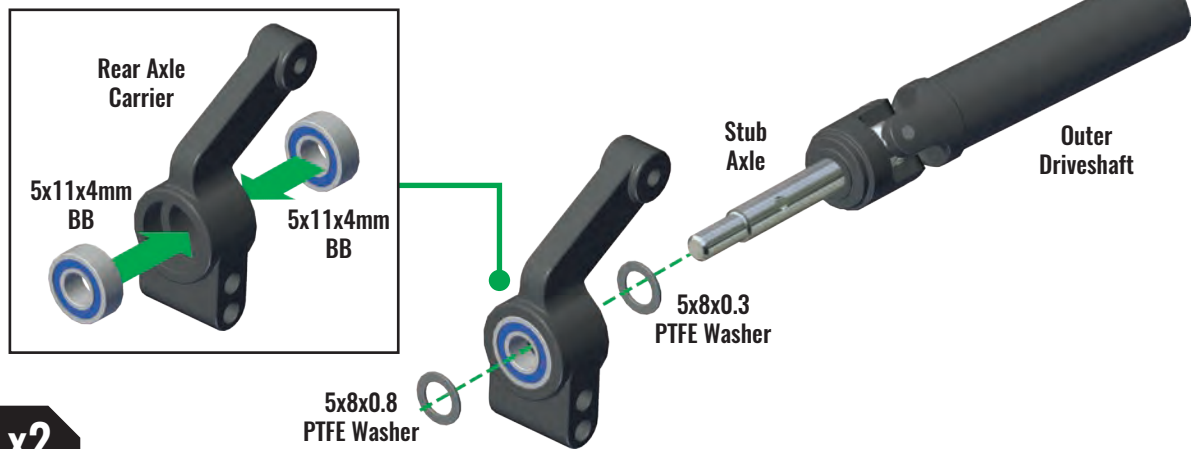
Hex Wheel Hub (2)



5x8x0.8 PTFE Washer (2)



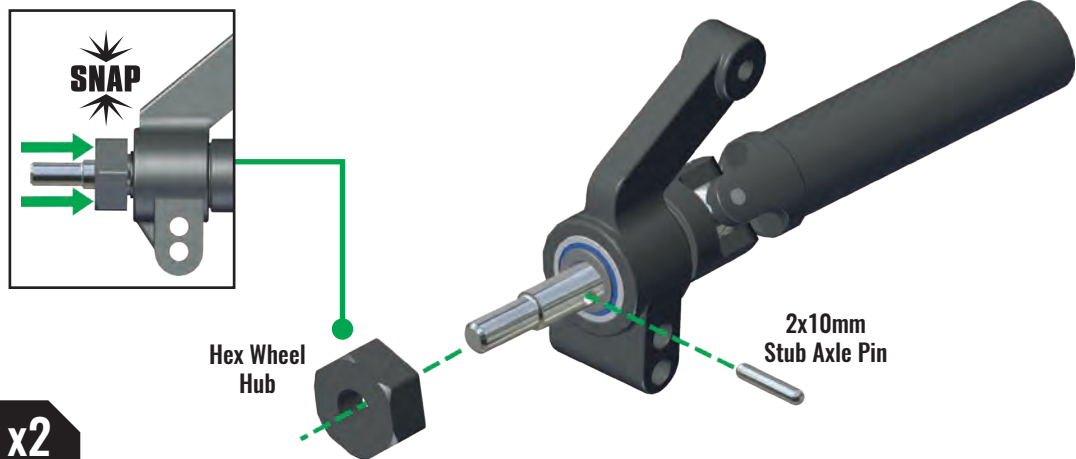
5x8x0.3 PTFE Washer (2)



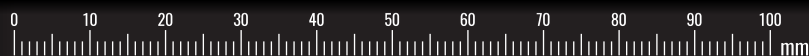
x2

ACCESSORY

- A** Aluminum Accessory Rear Axle Carriers
 - 3652A Blue
 - 3652X Red
 - 3652G Green
 - 3652P Pink



x2



C. REAR MODULE ASSEMBLY

REAR SUSPENSION BAG

C15. Install outer driveshaft assemblies

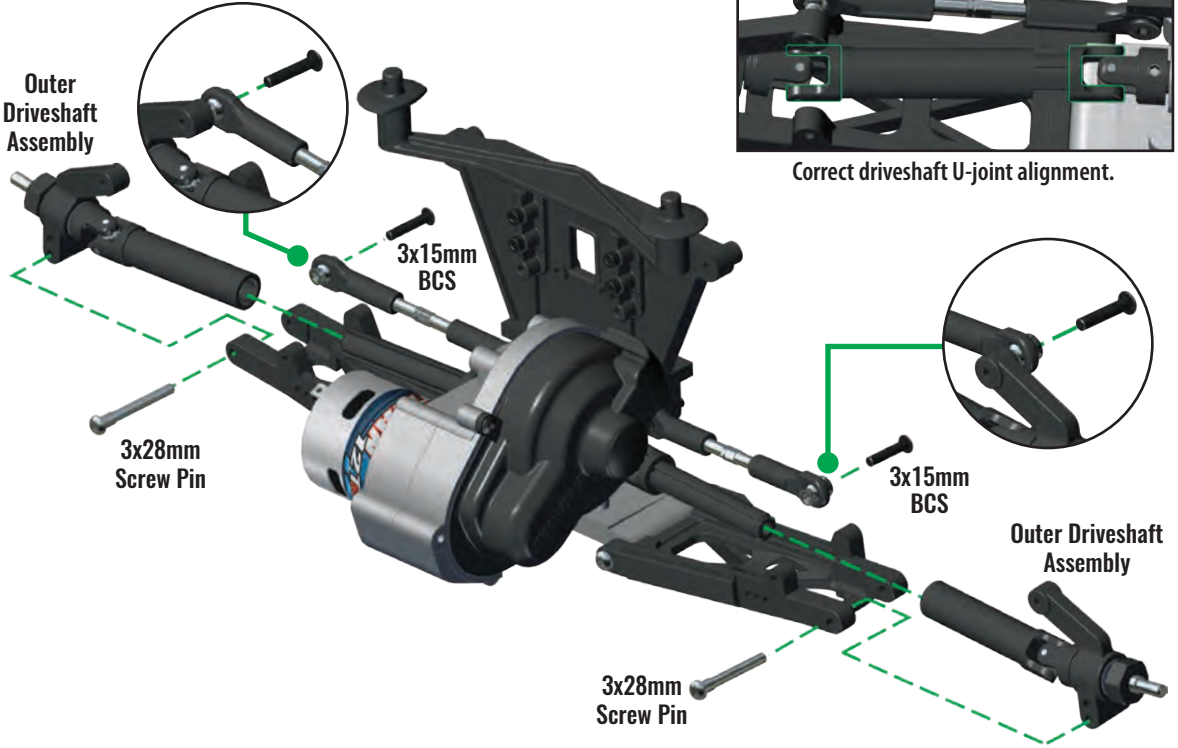
3x28mm Screw Pin (2)



3x15mm BCS (2)



Outer Driveshaft Assembly



Correct driveshaft U-joint alignment.

REAR SUSPENSION BAG

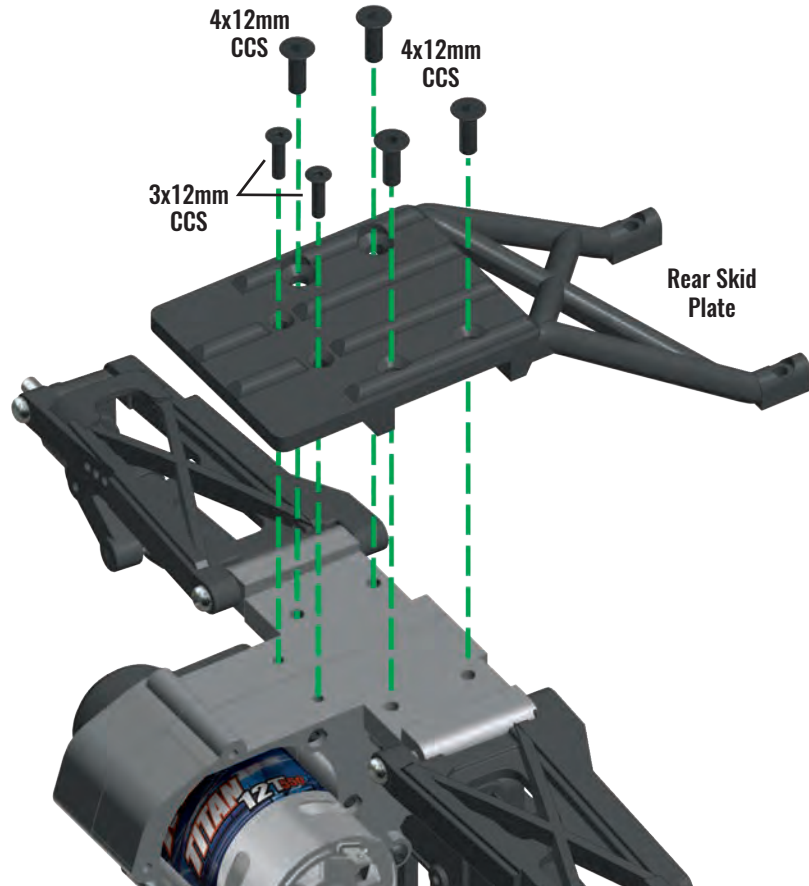
C16. Install rear skid plate on bottom of transmission case

Rear Skid Plate

4x12mm CCS (4)



3x12mm CCS (2)



Rear Skid Plate

C. REAR MODULE ASSEMBLY

REAR SUSPENSION BAG **C17. Install wheelie bar mount**

Wheelie Bar Mount

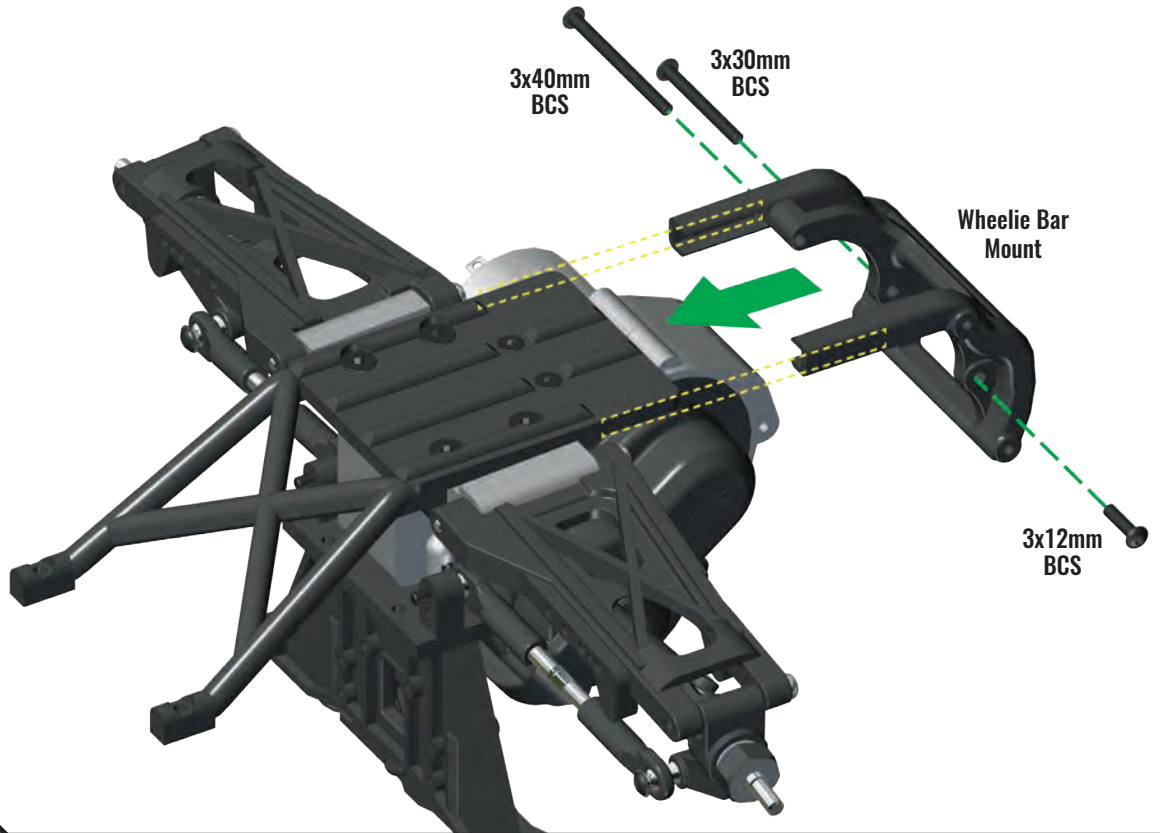
3x40mm BCS



3x30mm BCS



3x12mm BCS



REAR SUSPENSION BAG **C18. Install rear bumper**

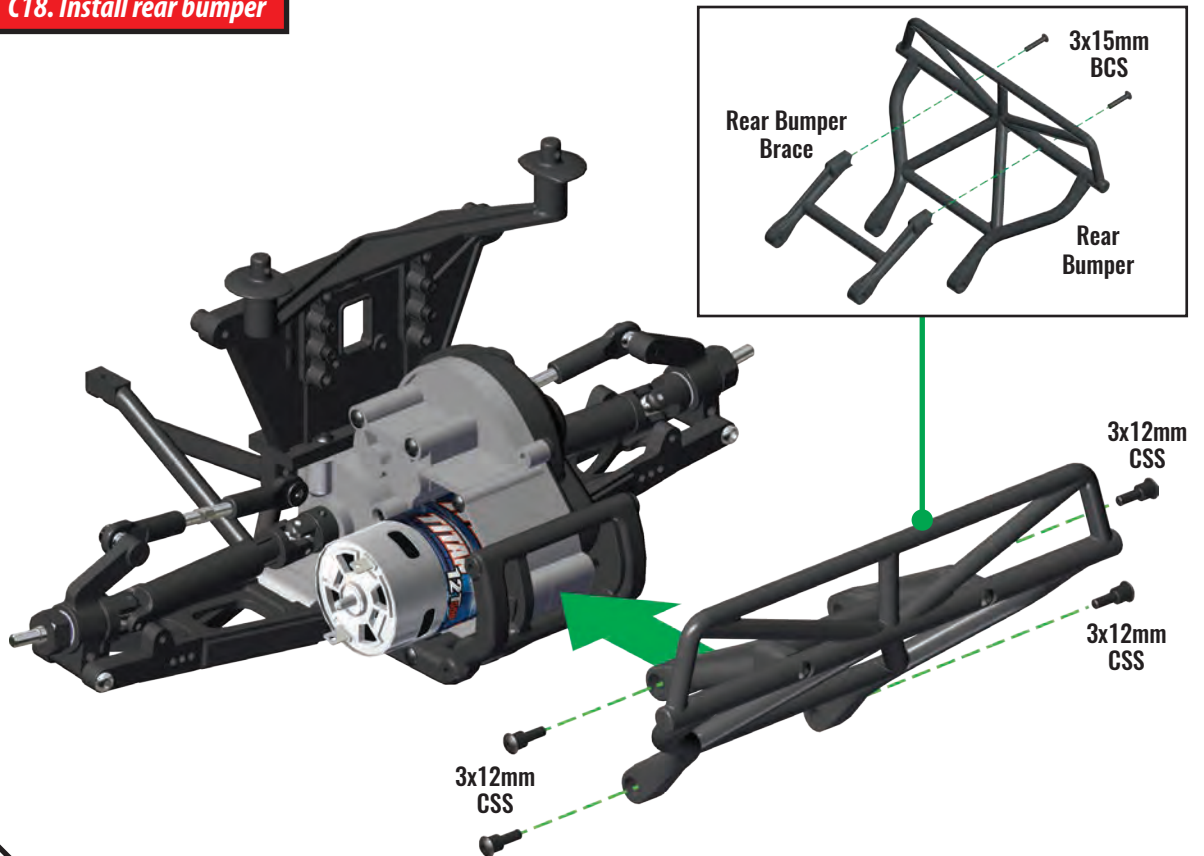
Rear Bumper

Rear Bumper Brace

3x15mm BCS (2)



3x12mm CSS (4)



C. REAR MODULE ASSEMBLY

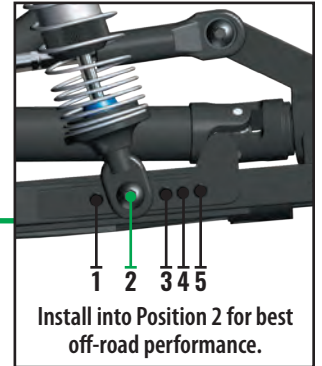
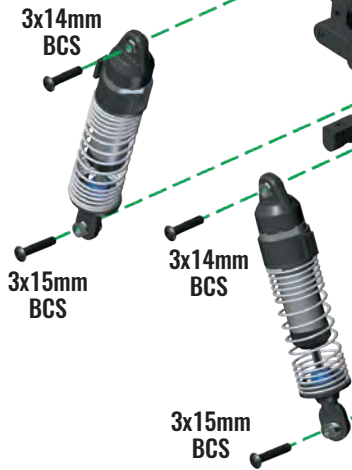
REAR SUSPENSION BAG

C19. Install rear shocks

3x14mm BCS (2)

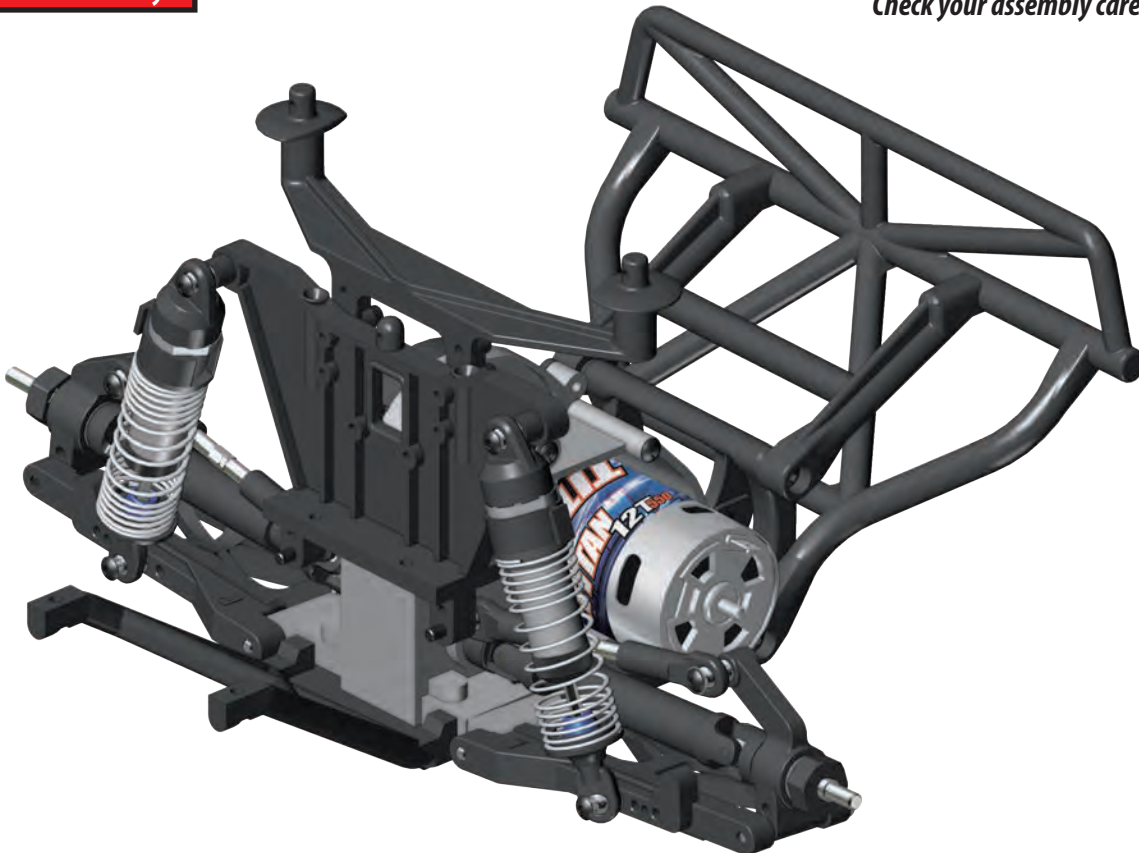


3x15mm BCS (2)



Completed rear module assembly

Check your assembly carefully.



D. FRONT MODULE ASSEMBLY

FRONT SUSPENSION BAG

D1. Assemble front body mount

D2. Assemble body mount, shock tower and bulkhead

Front Body Mount Base

Body Post (2)

3x8mm BCS (2)



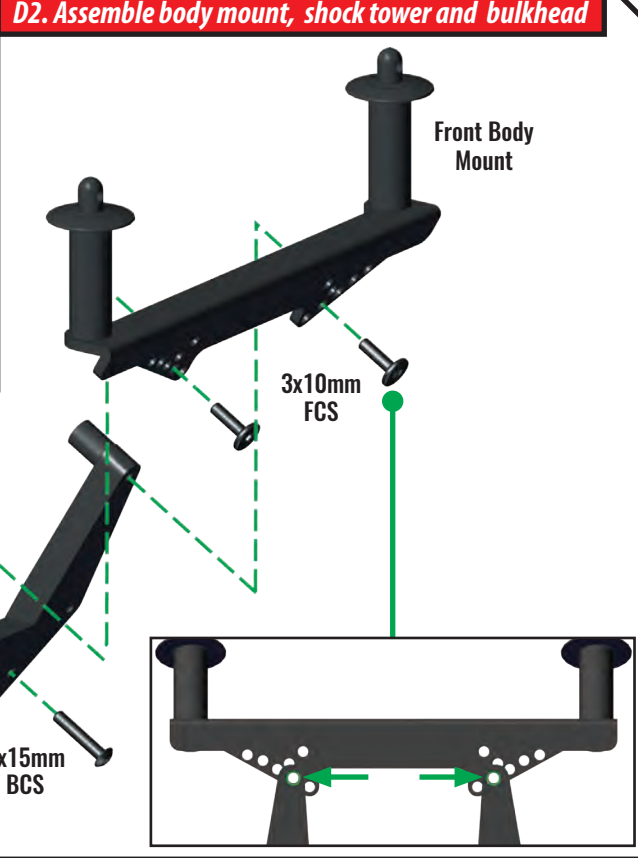
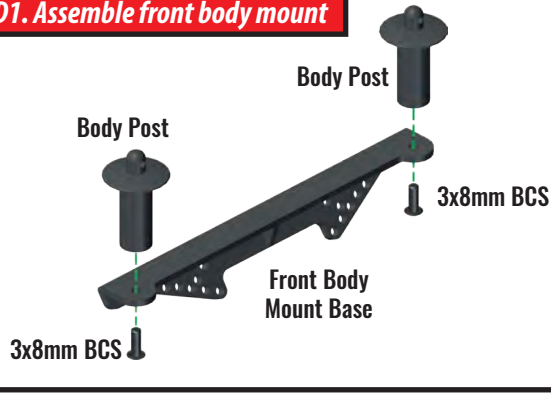
Front Bulkhead

Front Shock Tower

3x15mm BCS (2)



3x10mm FCS (2)

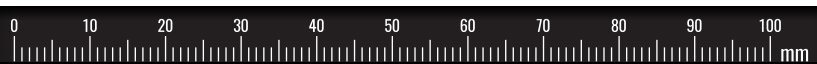
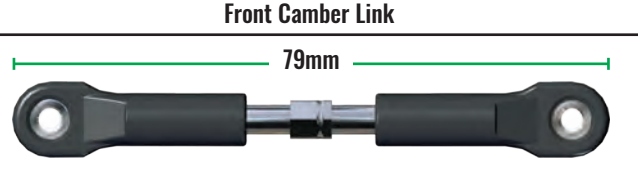
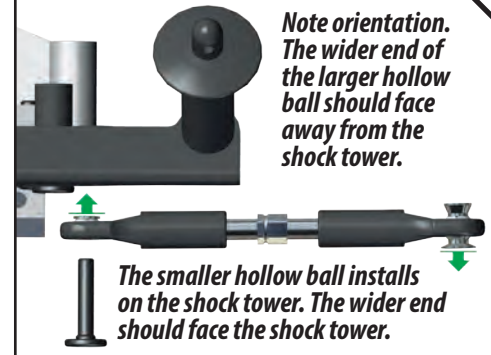


FRONT SUSPENSION BAG

D3. Install front camber links

Front Camber Link (2)

3x15mm FCS (2)



D. FRONT MODULE ASSEMBLY

FRONT SUSPENSION BAG

Front Suspension Arm (2)

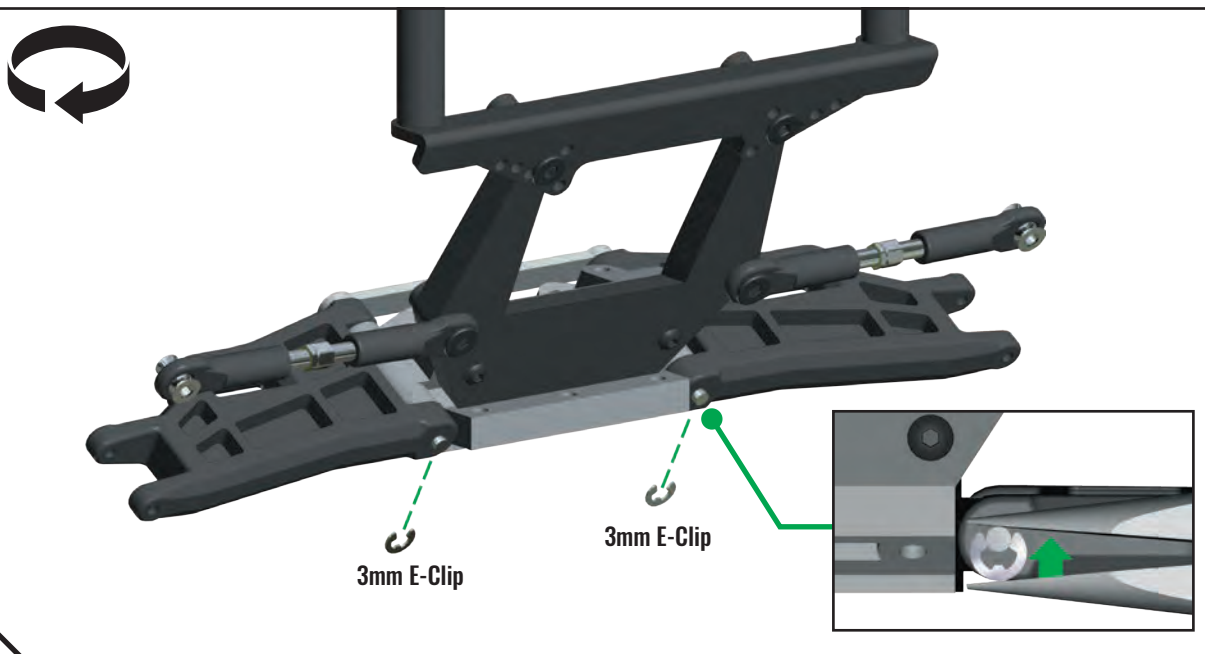
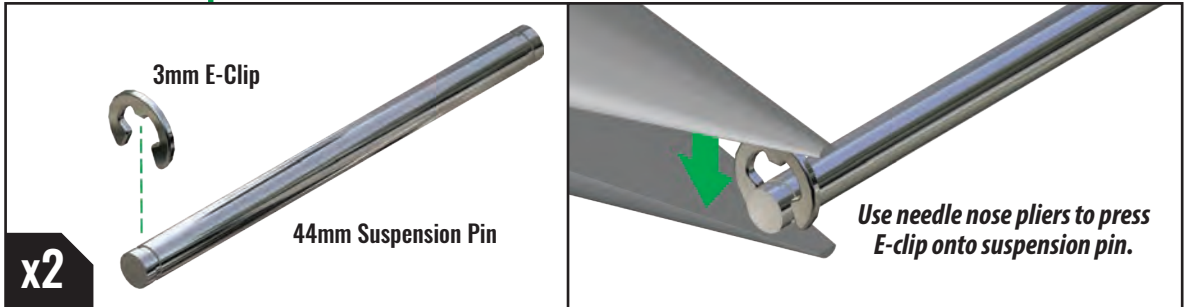
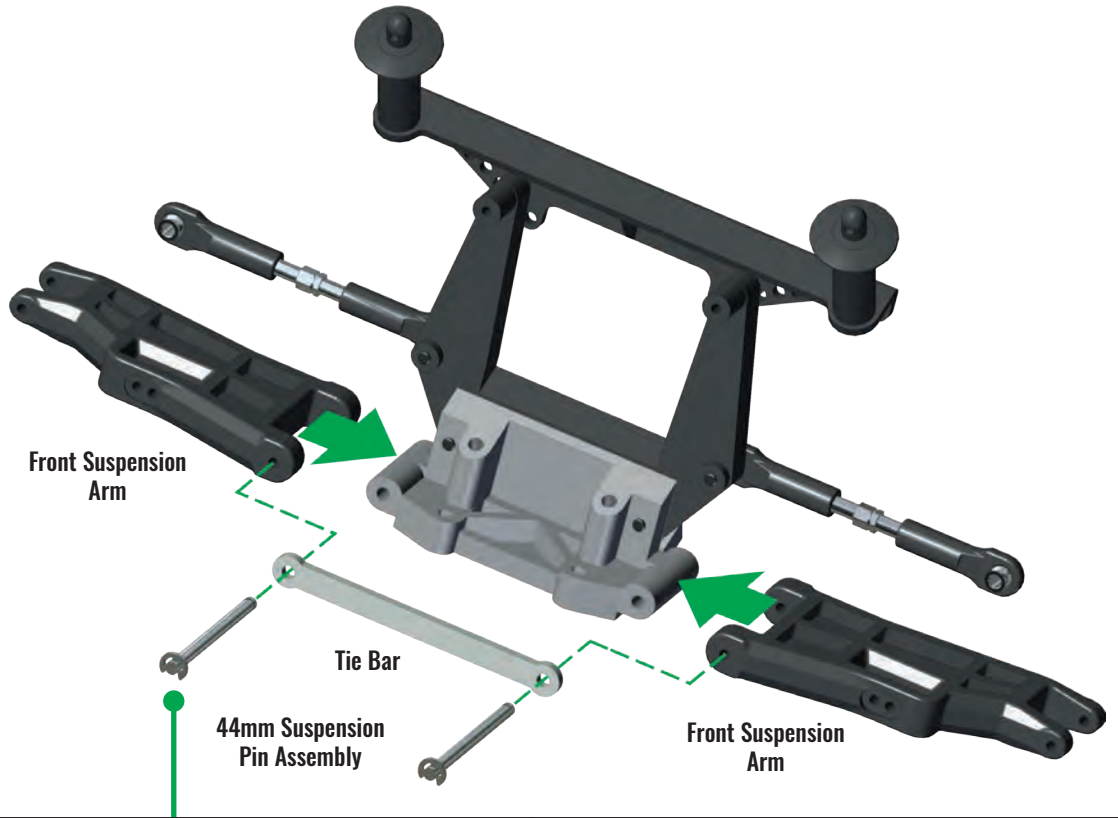
44mm Suspension Pin (2)

Tie Bar

3mm E-Clip (4)



D4. Attach the front suspension arms to the front bulkhead assembly



D. FRONT MODULE ASSEMBLY

FRONT SUSPENSION BAG

D5. Assemble the front hubs

Steering Block (2)

Front Axle (2)

Caster Block (L&R)

5x11x4mm BB (4)



2x10mm Axle Pin (2)



5x8x0.5 PTFE Washer (2)



Hex Wheel Hub (2)

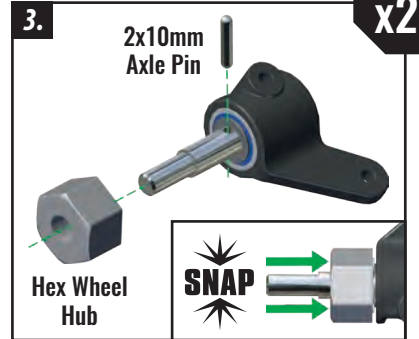
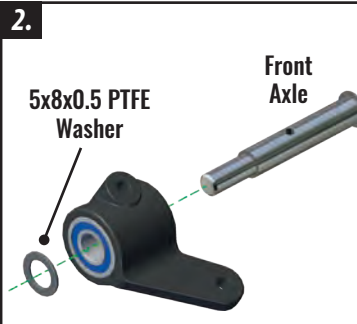


3x26.5mm Screw Pin (2)

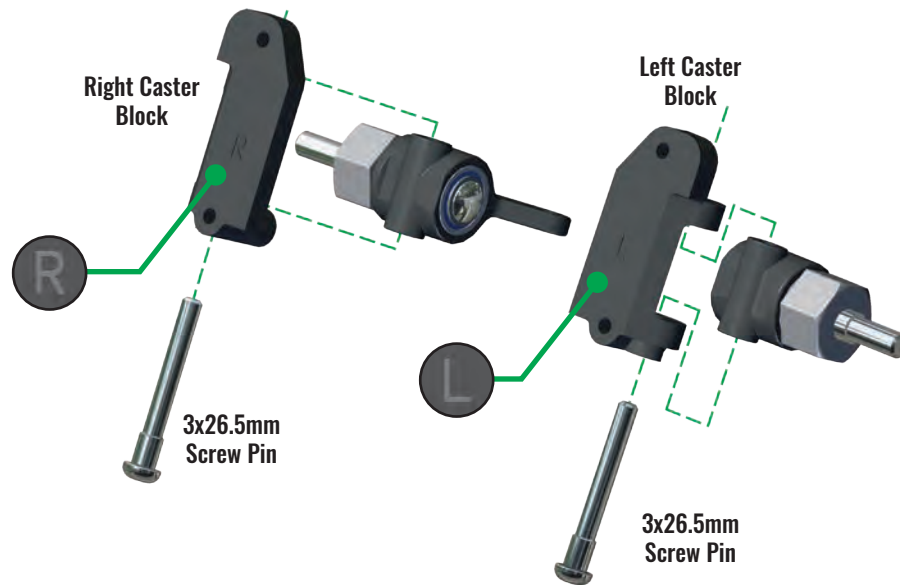


ACCESSORY

- A** Aluminum Accessory Steering Blocks (various colors; see included parts list)
- Caster Blocks (various colors; see included parts list)



D6. Attach caster blocks to the front hubs



FRONT SUSPENSION BAG

D7. Install front hub assembly to the front suspension arms

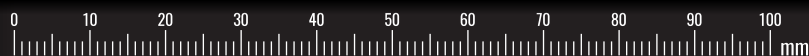
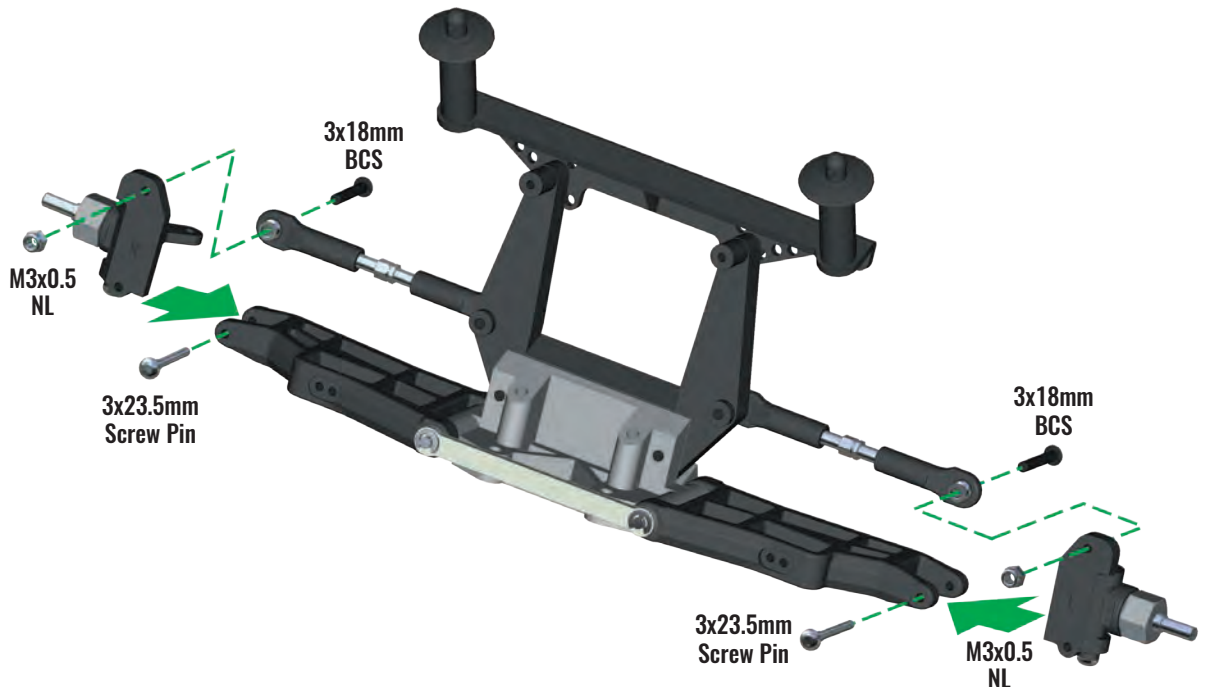
M3x0.5 NL (2)



3x18mm BCS (2)



3x23.5mm Screw Pin (2)



D. FRONT MODULE ASSEMBLY

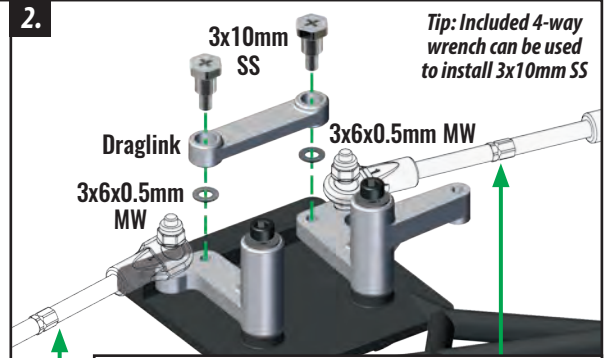
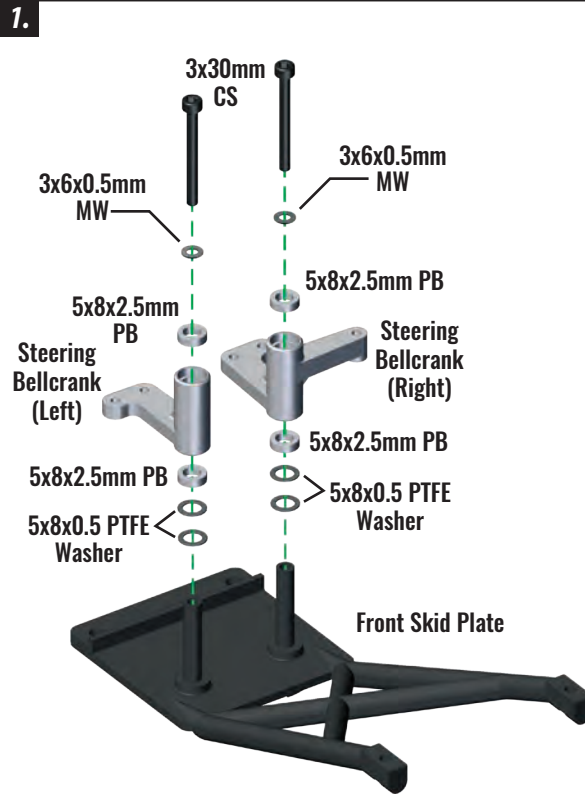
FRONT SUSPENSION BAG

D8. Assemble the steering bellcranks onto the front skidplate and install onto front bulkhead assembly

- Front Skid Plate
- Steering Bellcrank (L&R)
- Draglink
- 5x8x0.5 PTFE Washer (4)
- 3x6x0.5mm MW (4)
- 5x8x2.5mm PB (4)
- 3x10mm SS (2)
- 3x30mm CS (2)
- 4x12mm CCS (2)

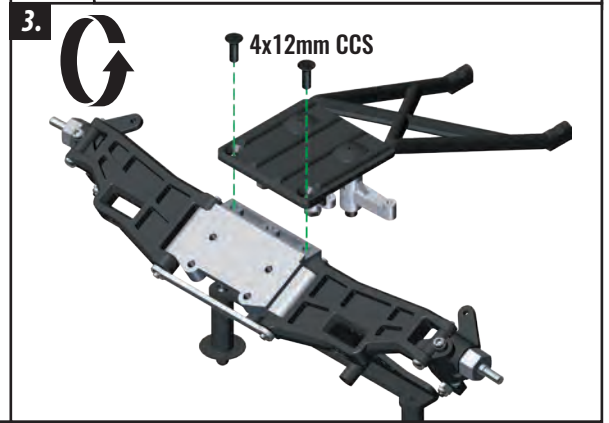
ACCESSORY

A Aluminum Accessory Bellcrank Assemblies (various colors; see included parts list)



Tip: Included 4-way wrench can be used to install 3x10mm SS

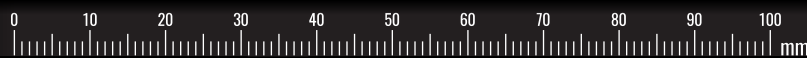
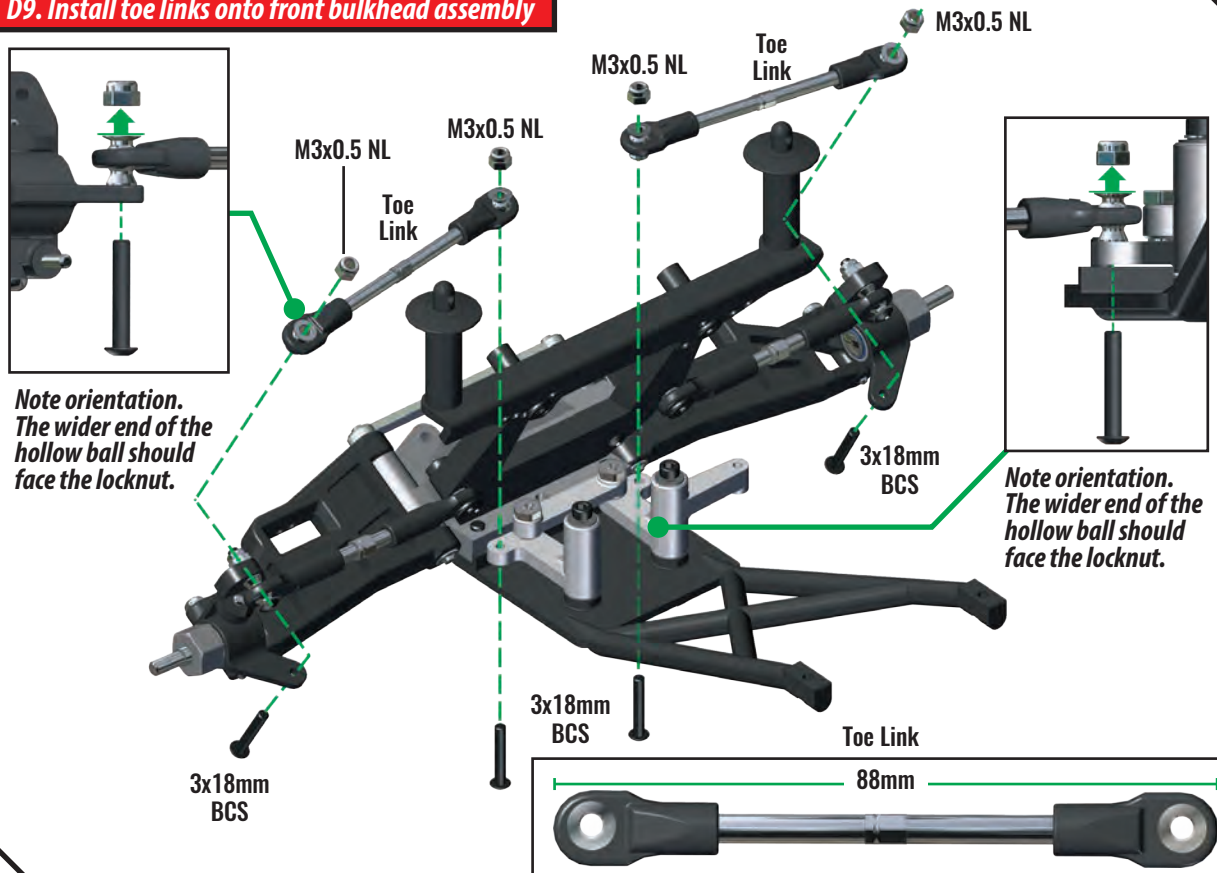
Note: If you are using the provided tools for kit assembly, install the toe links and M3x0.5 NL (from D9) during this step to allow room for tightening the nuts with the 4-way wrench.



FRONT SUSPENSION BAG

D9. Install toe links onto front bulkhead assembly

- Toe Link (2)
- M3x0.5 NL (4)
- 3x18mm BCS (4)



D. FRONT MODULE ASSEMBLY

FRONT SUSPENSION BAG **D10. Install steering link and servo saver to bellcrank**

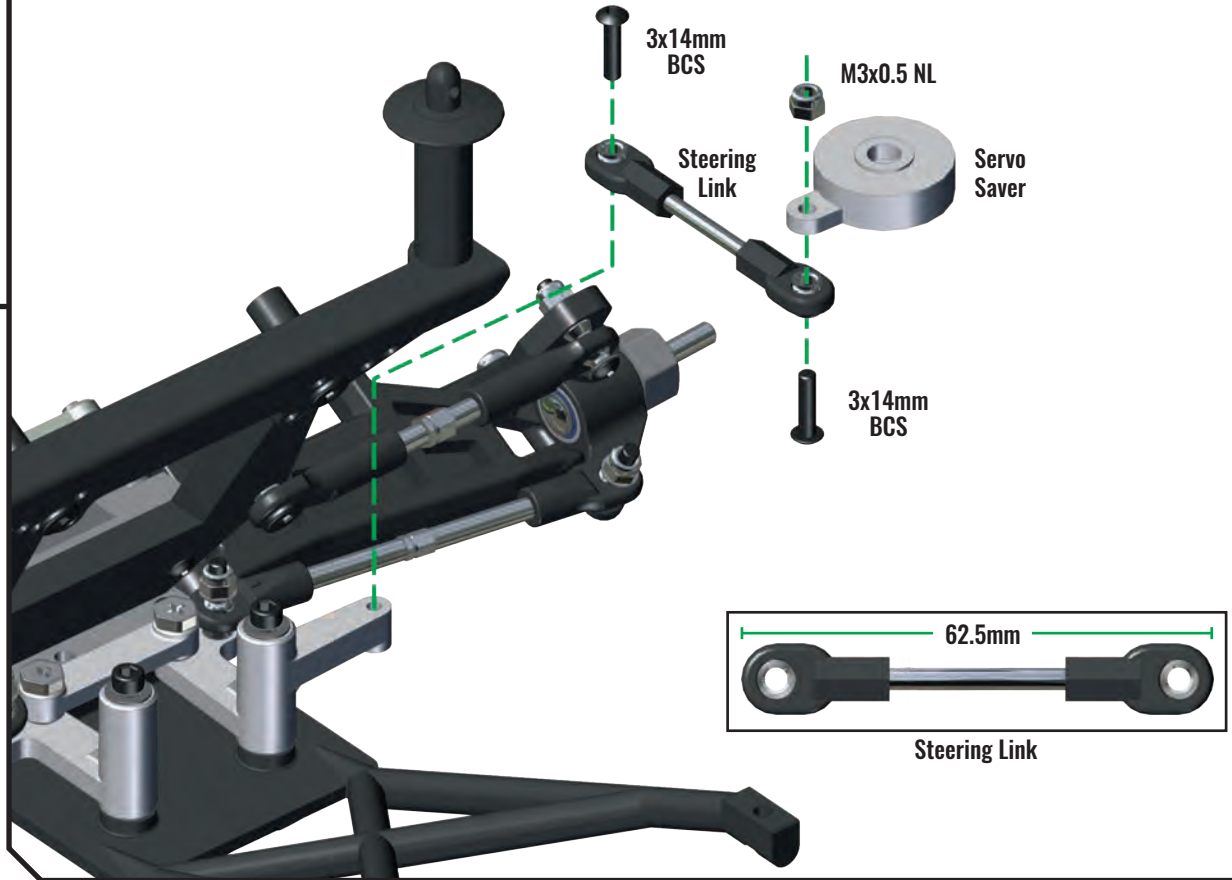
Servo Saver

Steering Link

M3x0.5 NL



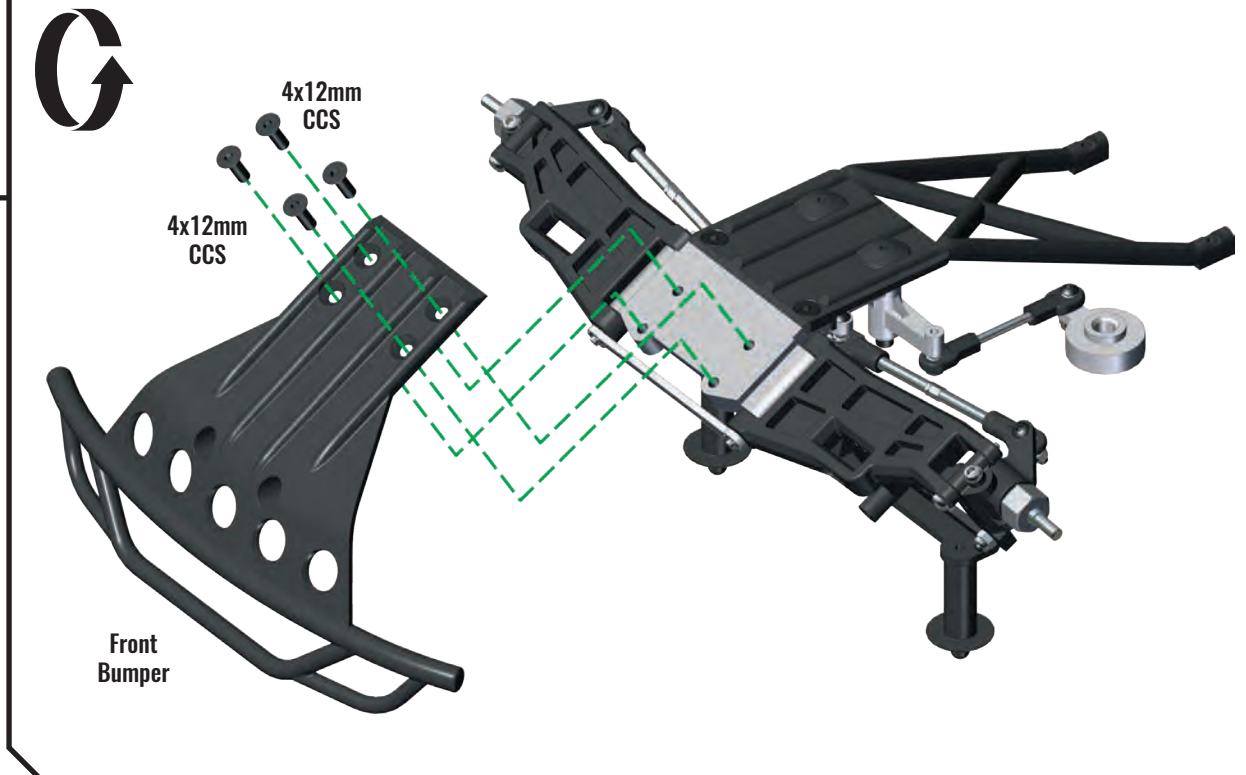
3x14mm BCS (2)



FRONT SUSPENSION BAG **D11. Install front bumper onto front bulkhead**

Front Bumper

4x12mm CCS (4)



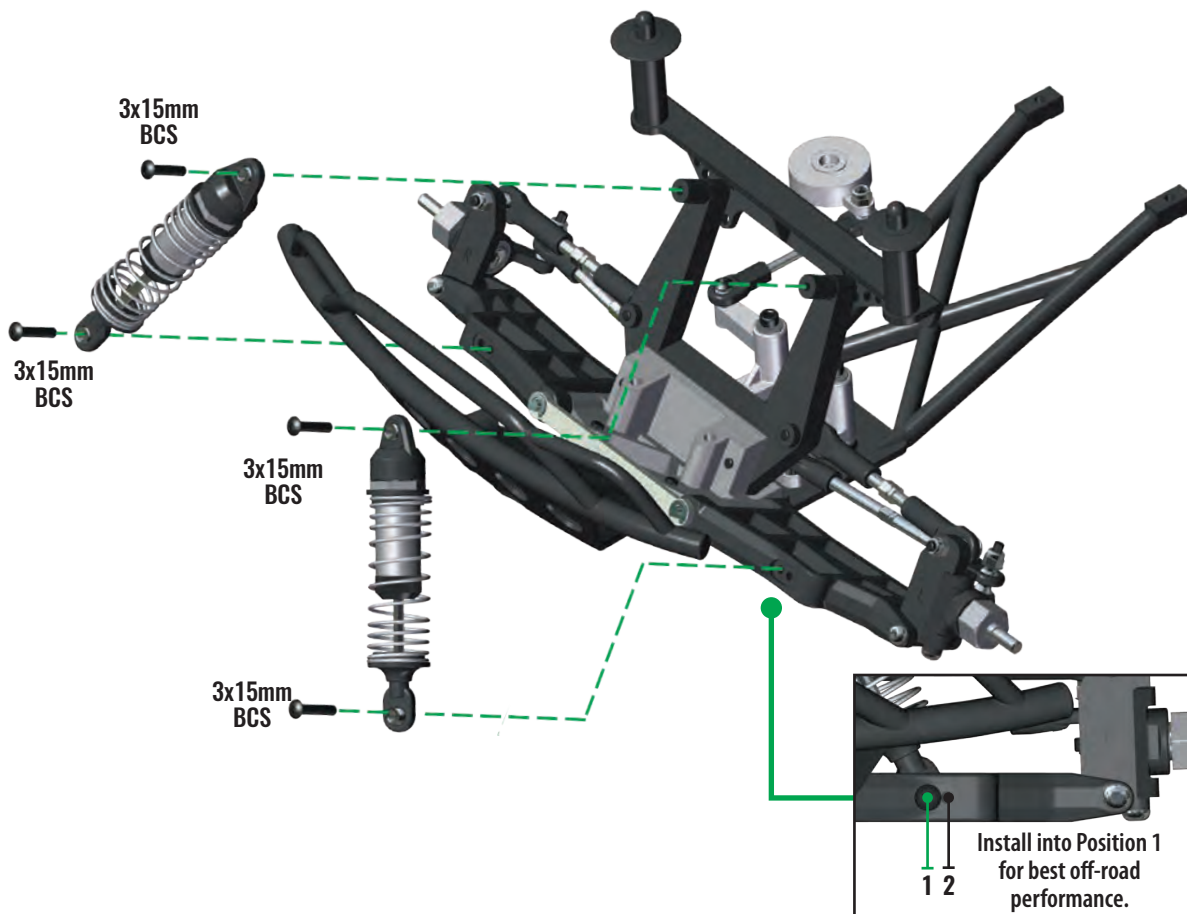
D. FRONT MODULE ASSEMBLY

FRONT SUSPENSION BAG **D12. Install front shocks**

3x15mm BCS (4)



Note: These screws may be included in the CHASSIS BAG



Completed front module assembly

Check your assembly carefully.



E. CHASSIS ASSEMBLY

CHASSIS BAG

Slash Chassis

3x8mm FCS (4)



3x15mm CS (2)



ELECTRONICS BAG

Steering Servo

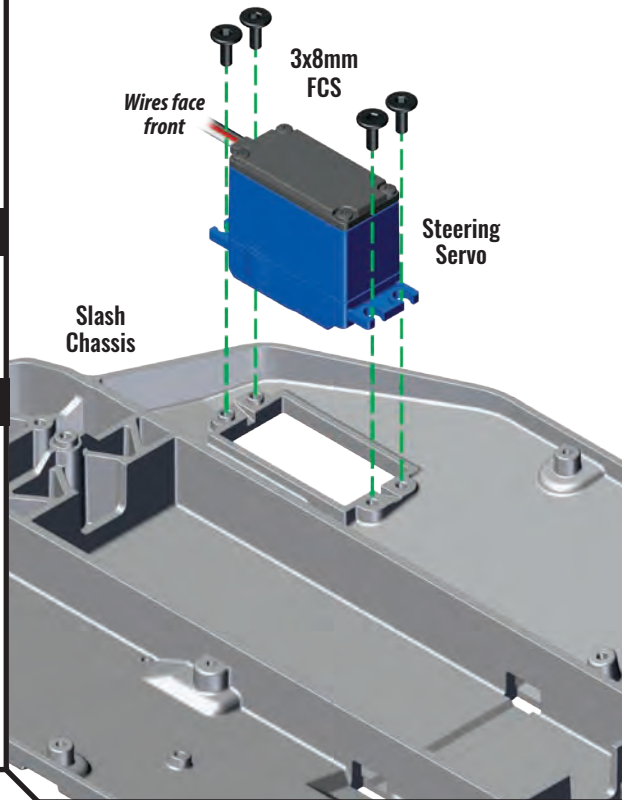
XL-5 Electronic Speed Control (ESC)

ACCESSORY

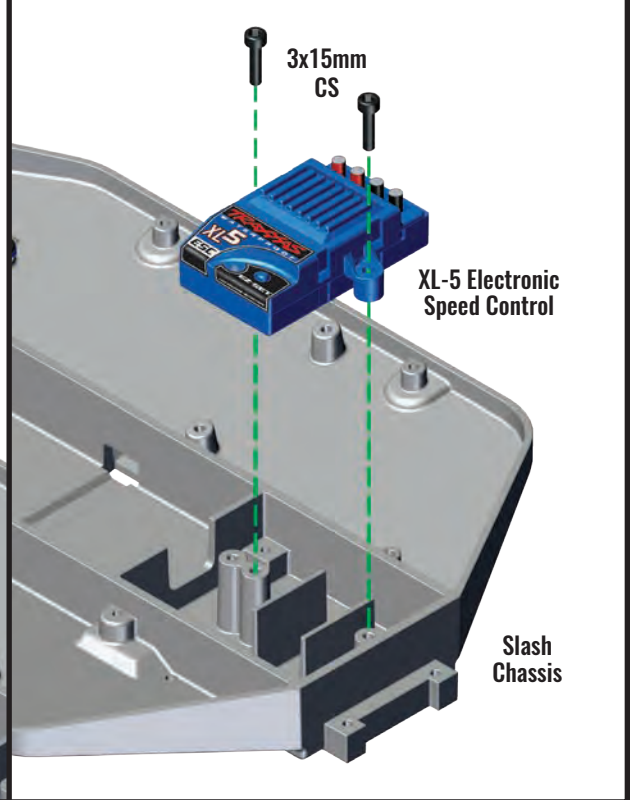
- Option Part
2075 Digital High-Torque Servo
- 2275R Digital High-Speed Servo
- 2250 Coreless Servo
- 2255 Brushless Servo

- Option Part
3350R Velineon VXL-3s Brushless Power System

E1. Install steering servo into chassis



E2. Install electronic speed control onto chassis



CHASSIS BAG

Lower Receiver Box

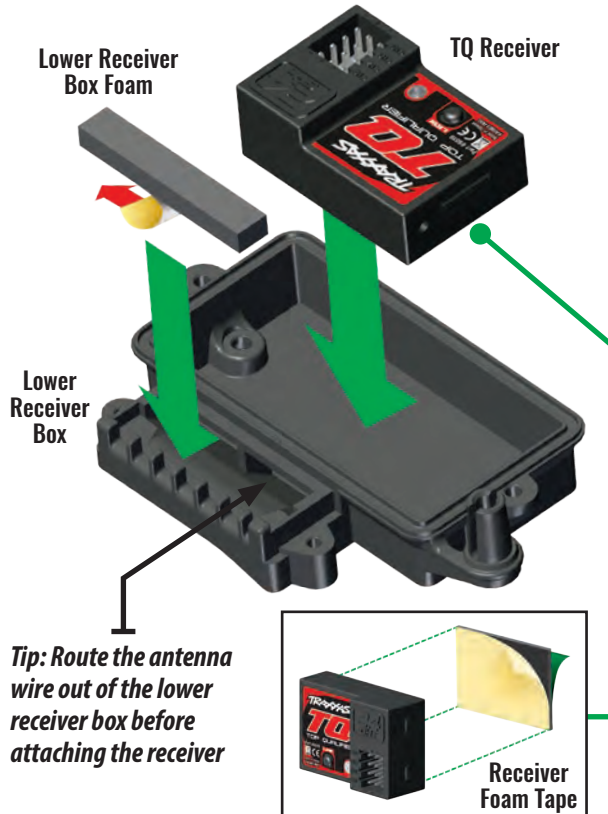
Lower Receiver Box Foam

ELECTRONICS BAG

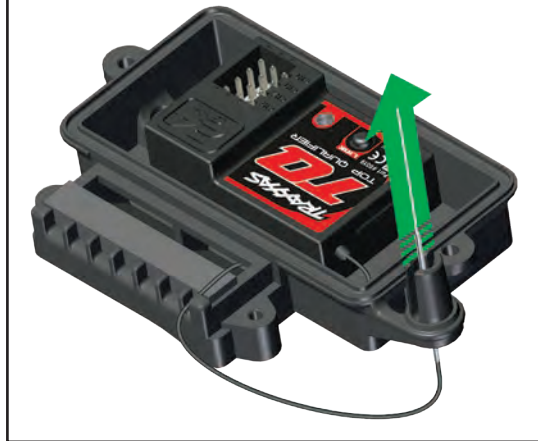
TQ Receiver

Receiver Foam Tape

E3. Install receiver into lower receiver box



Route antenna wire through antenna post



ACCESSORY

- Option Part
6533 TQi 2.4GHz 5Ch Micro Receiver

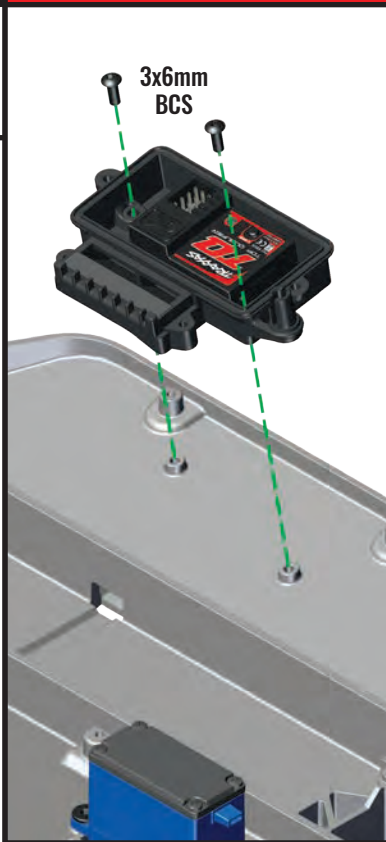


CHASSIS BAG

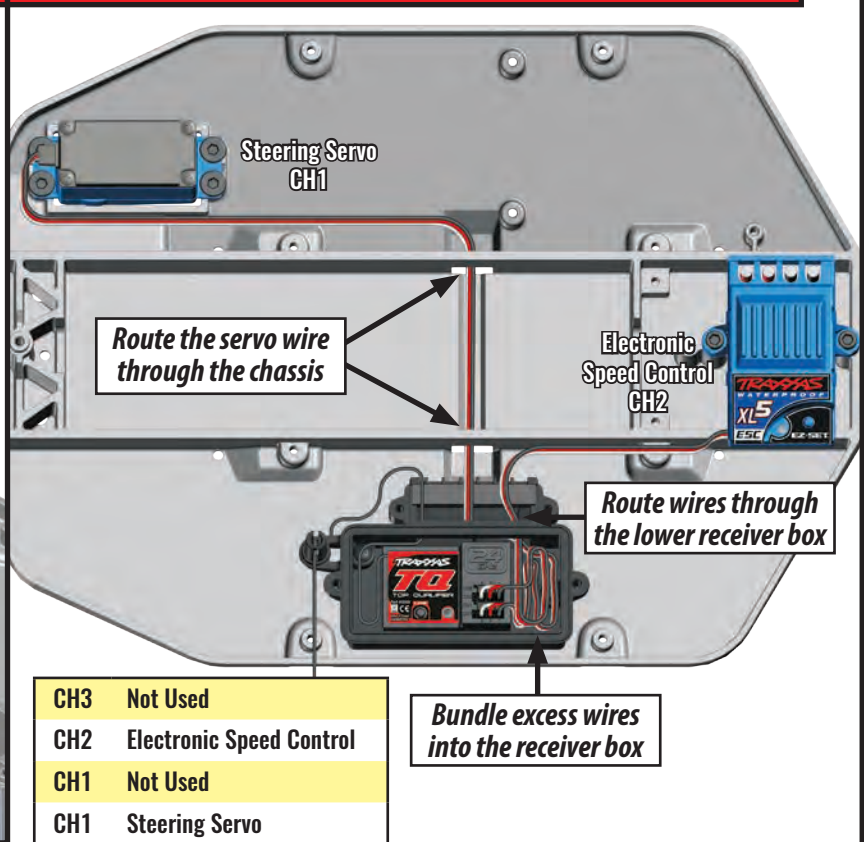
3x6mm BCS (2)



E4. Install the lower receiver box



E5. Install wires into the receiver box and plug the wires into the receiver



CHASSIS BAG

Antenna Tip

Antenna Tube

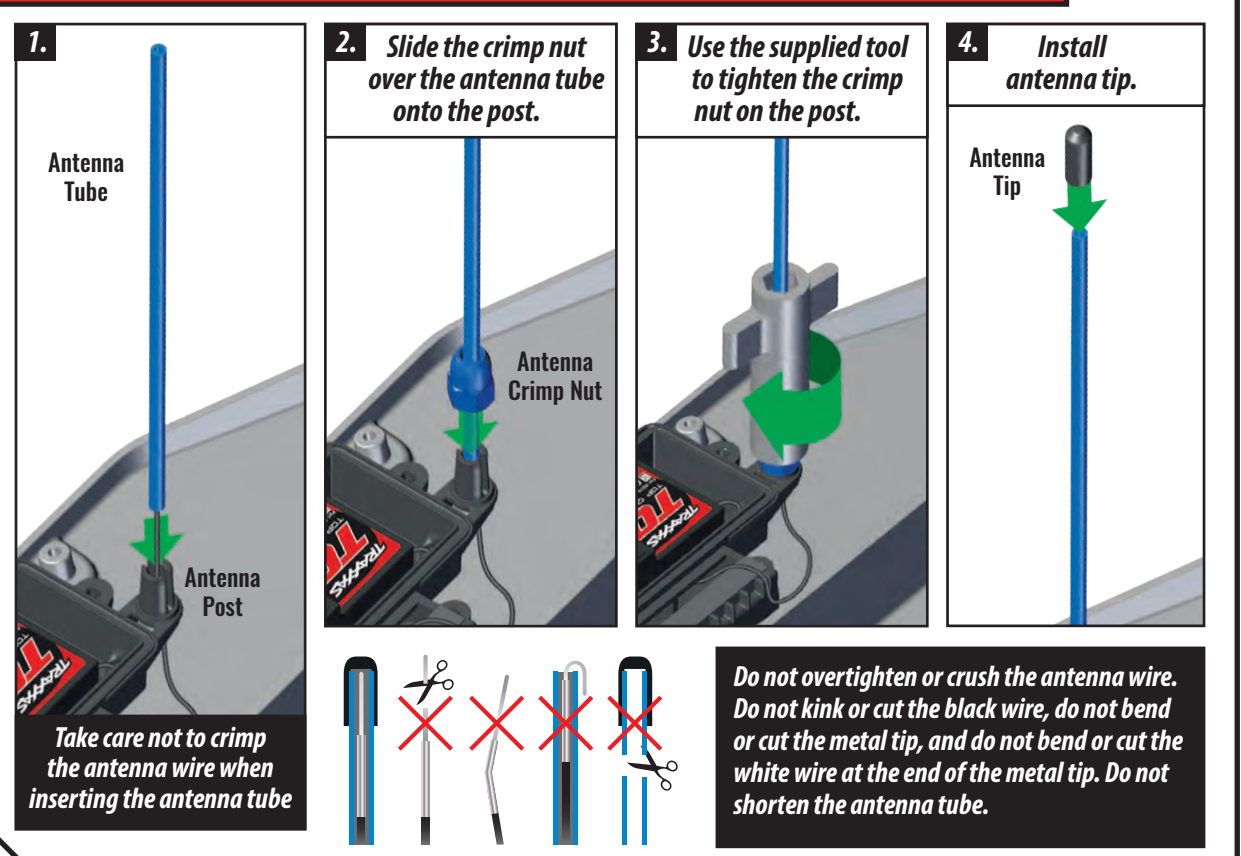
Antenna Crimp Nut



TOOLS BAG

Antenna Nut Wrench

E6. Slide the antenna wire into the antenna tube and install into the post on the lower receiver box



E. CHASSIS ASSEMBLY

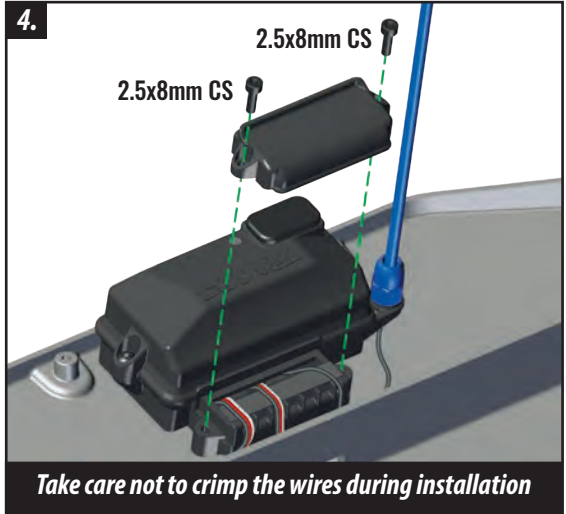
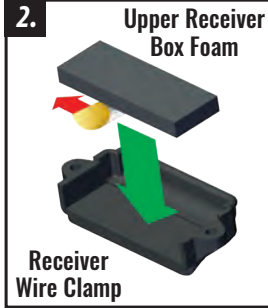
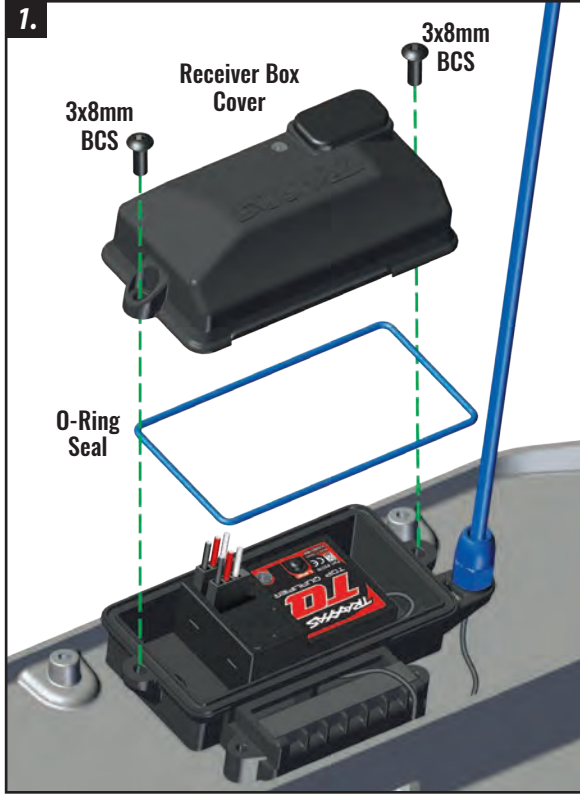
CHASSIS BAG

- Receiver Box Cover
- O-Ring Seal
- 3x8mm BCS (2)
- Receiver Wire Clamp
- Upper Receiver Box Foam
- 2.5x8mm CS (2)

ELECTRONICS BAG

- Silicone Grease

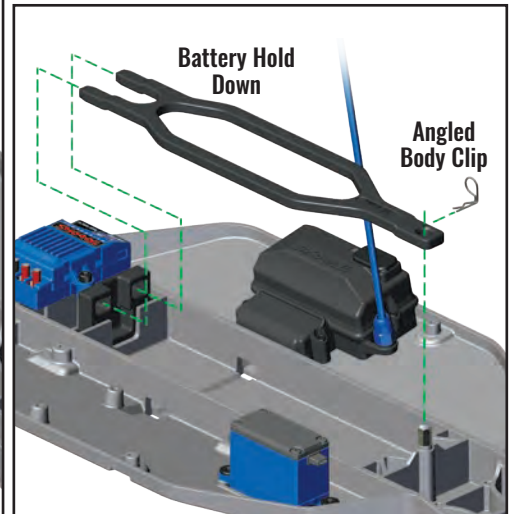
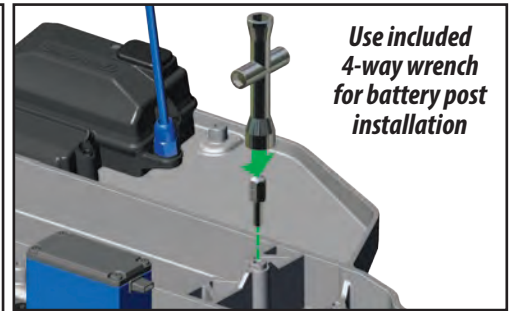
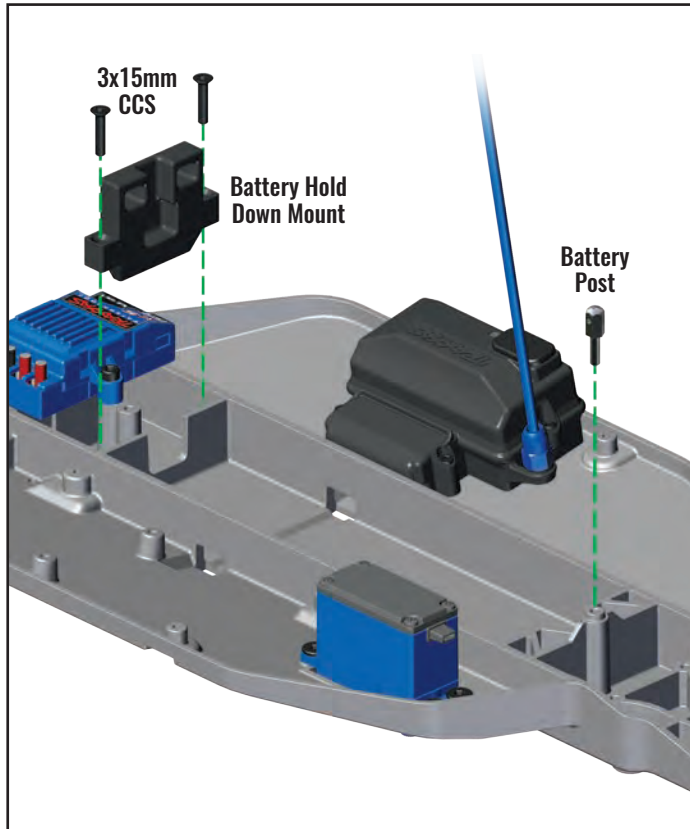
E7. Waterproof and seal the receiver box



CHASSIS BAG

- Battery Hold Down Mount
- Battery Hold Down
- 3x15mm CCS (2)
- Battery Post
- Angled Body Clip

E8. Install battery hold down



E. CHASSIS ASSEMBLY

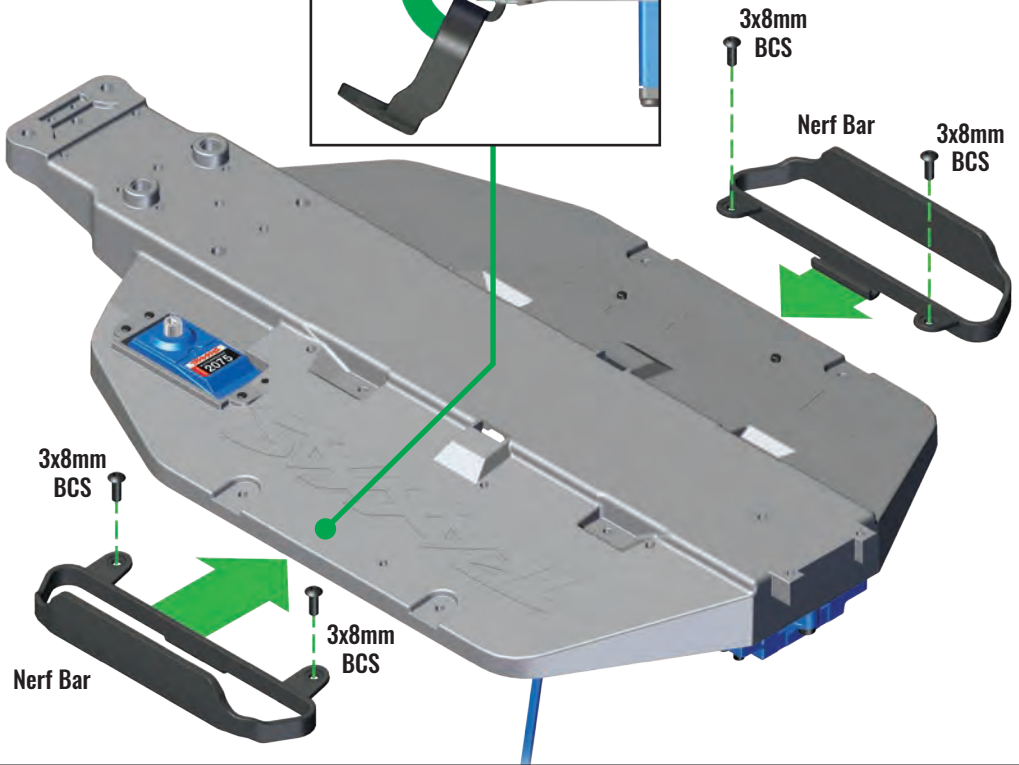
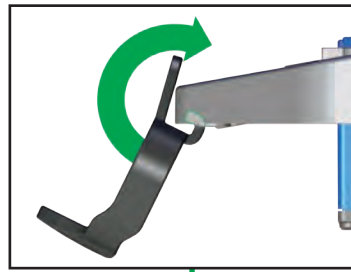
CHASSIS BAG

Nerf Bar (2)

3x8mm BCS (4)

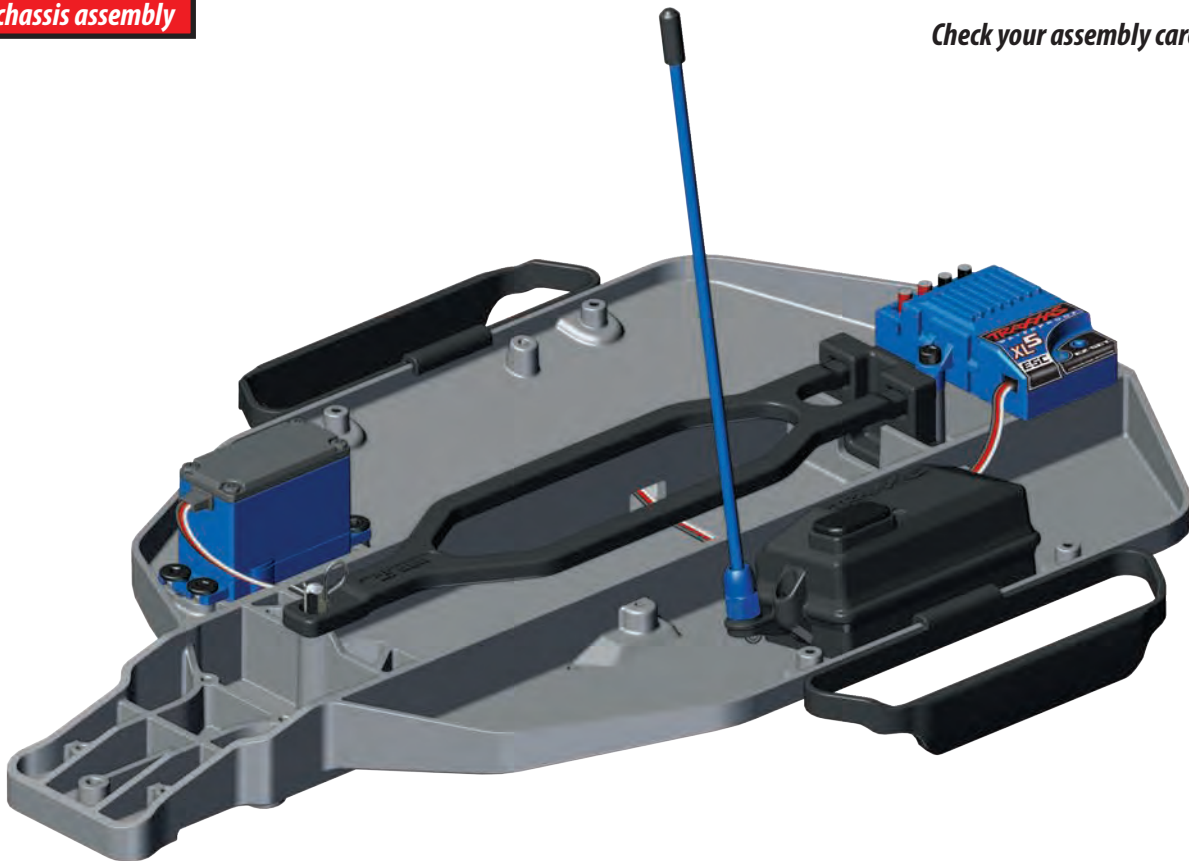


E9. Install nerf bars onto the chassis



Completed chassis assembly

Check your assembly carefully.



F. SUSPENSION INSTALLATION

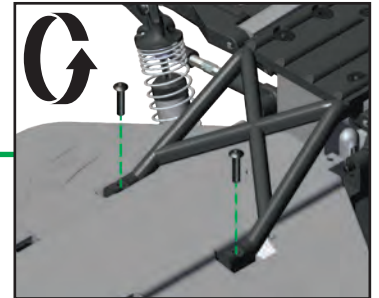
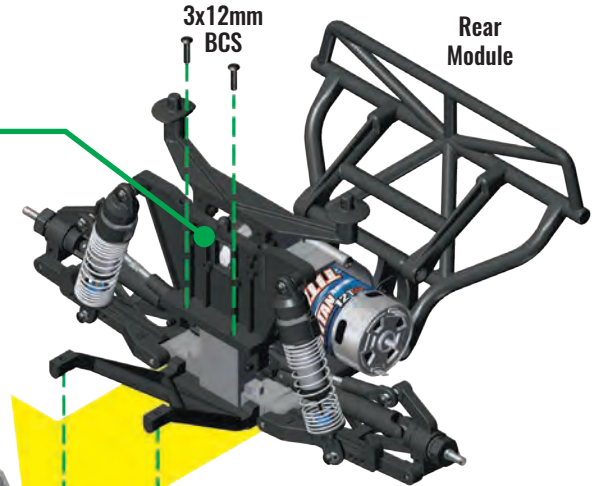
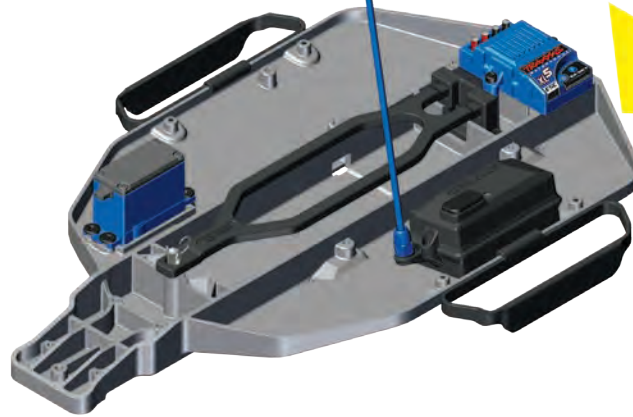
CHASSIS BAG

3x12mm BCS (4)



F1. Attach the rear module to the chassis

Route ESC wires through the shock tower and connect to the motor. Red to red / black to black.



CHASSIS BAG

Front Bumper Mount

3x12mm BCS (2)



3x15mm BCS (2)



4x12mm BCS (3)



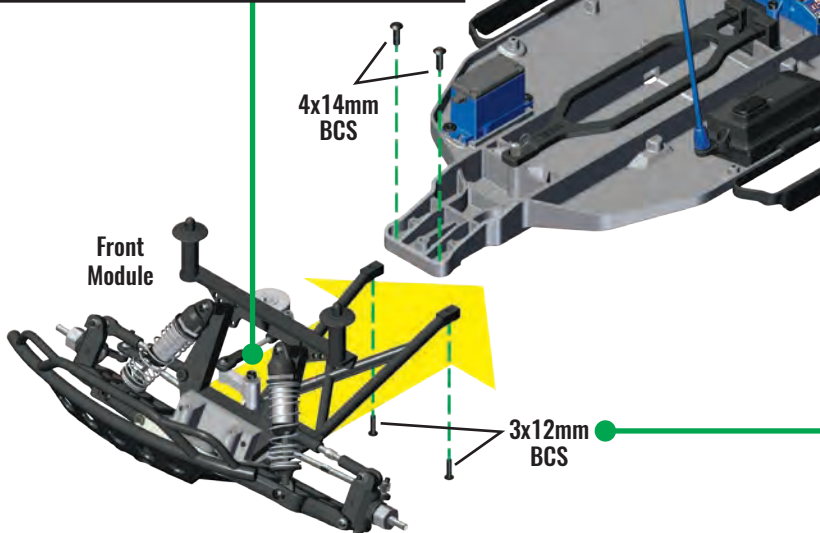
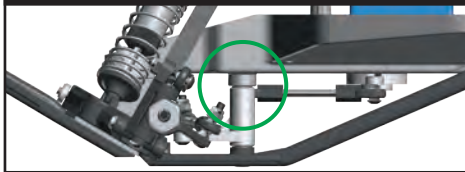
4x14mm BCS (2)



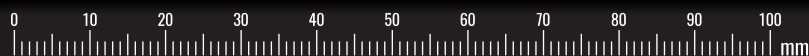
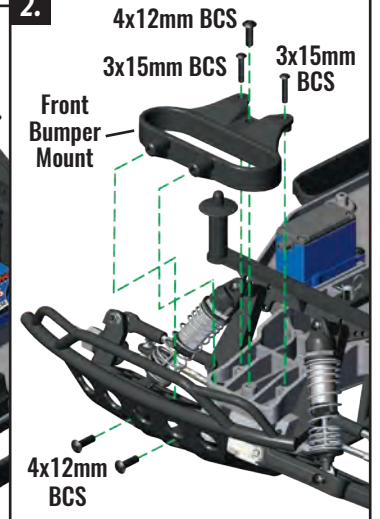
F2. Attach the front module to the chassis

1.

Ensure the steering bellcrank screw heads are seated into the bosses on the chassis bottom.



2.



F. SUSPENSION INSTALLATION

CHASSIS BAG

3x10mm BCS



F3. Center the steering servo

1



Turn transmitter on
(see Quick Start)

2



Plug charged battery
into ESC (see Quick Start)

3



Turn on the model
(see Quick Start)

4



Set Steering Trim to Zero
(see Quick Start)

5

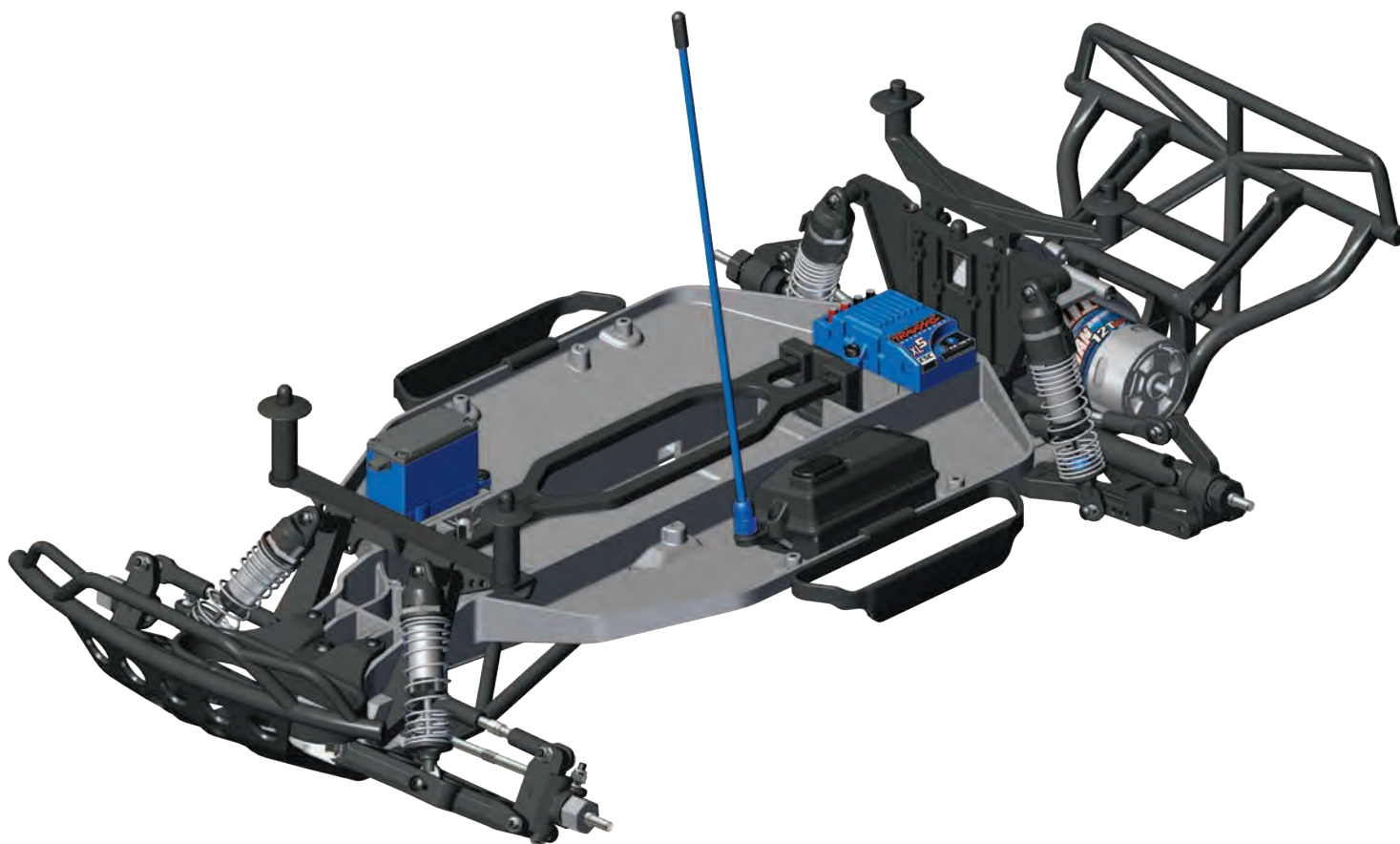
Unplug battery and turn transmitter off

F4. Install the servo horn onto the servo



Completed installation

Check your assembly carefully.



WHEELS AND TIRE BAG

G1. Install tires on front and rear axles

x4

M4x0.7 NL (4)



Assembled Front Tires and Wheels (2)

Assembled Rear Tires and Wheels (2)

Note the location marked on the inside of the wheel when installing.



Kit assembly complete



Painting the Body

Note: Please read this entire section and plan your paint job before beginning.

Buying Paint

The body supplied with your model is molded from lightweight and durable clear polycarbonate. It should be painted on the underside so that the color will not be scratched off while running. The best way to paint the body is by using spray can paints. Genuine Traxxas ProGraphix® paint is specially formulated for painting Lexan® or polycarbonate bodies and provides airbrush-like quality with aerosol convenience. It is available in 23 colors and specialty coatings to help bring your vision to life. Other types of paints and solvents can attack the body material and cause it to appear foggy.

Preparing the Body

The body must be washed thoroughly with dish soap and water to remove any grease or oil (i.e., fingerprints), which may keep the paint from adhering to it. Dry the body completely with a soft, lint-free cloth. Use the supplied masks to mask the windows and any stripes or custom effects on the truck body. Special tape made for striping is also available from automotive paint supply stores and will provide sharper edges. For easy, custom-colored striping, automotive pin-striping tape can be applied to the inside of the body and painted over. Be sure that all of your tape and masks are fully pressed down (burnished) so that the paint will not run or bleed underneath. Usually, the darker colors are painted first, followed by the lighter colors. If your paint scheme would be easier to mask by covering the dark areas and spraying them last, be sure the lighter colors are opaque enough to prevent the darker color from showing through. Lighter colors can be backed with silver to help make them opaque.

Spraying the Body

Read the directions on your bottle or can of paint and shake, mix, or thin the paint, as required. It is very important to avoid breathing the paint vapors, as they are extremely harmful. Spray the paint outdoors in well-ventilated areas only. Apply the paint to the body sparingly and in light coats. Be patient! Let the paint dry fully in between coats. This will prevent accidentally smearing wet paint. Take extra care when masks are being removed. After the body is completely painted, remove the peel coat from the outside of the body.

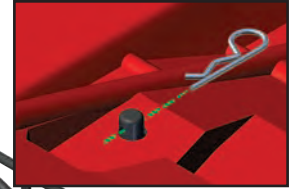
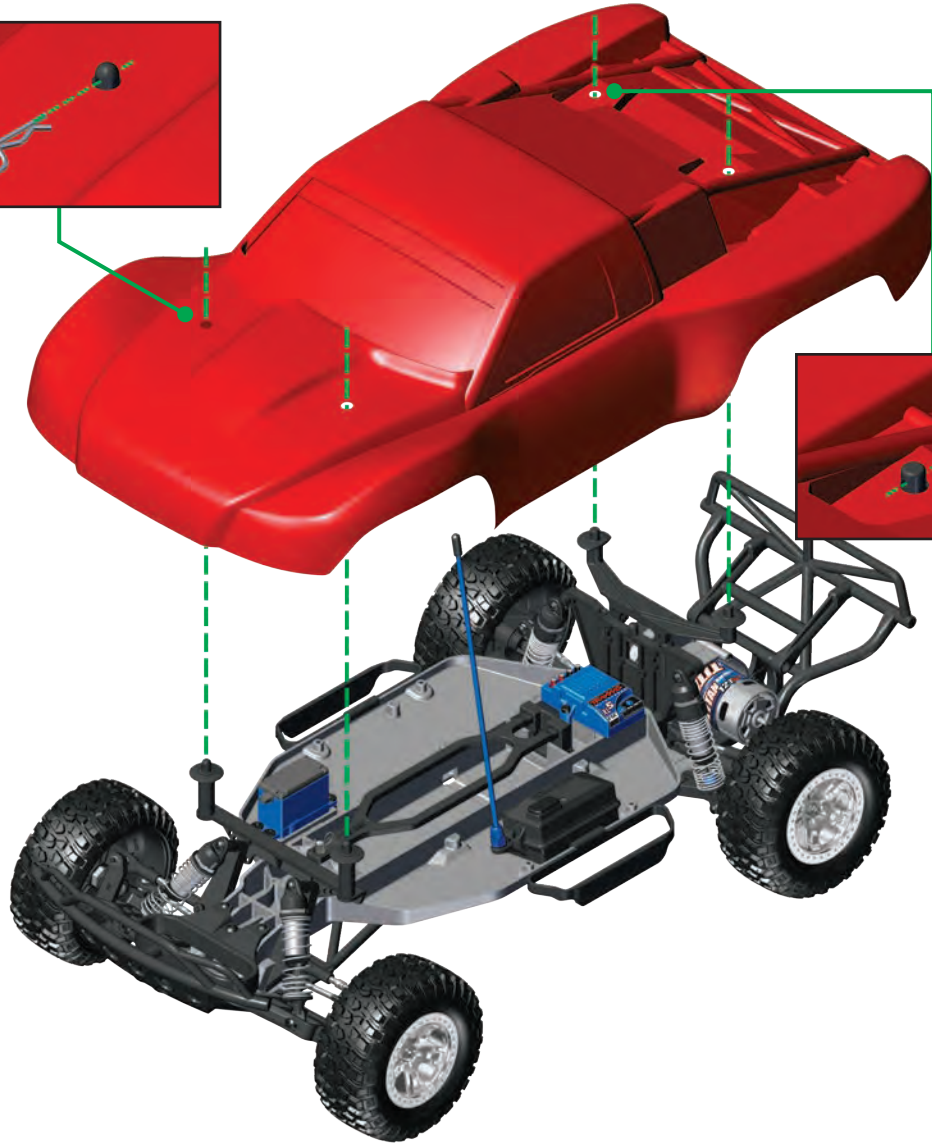
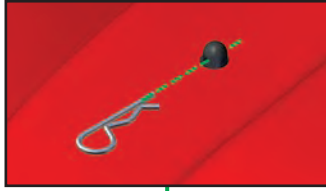
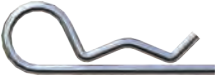
Decals

You are now ready to apply the decals. The decals have been die-cut for your convenience. Test the position of the decals before applying them to the body. Once the decals have been applied, they cannot be removed without damaging them. You can spray the body with window cleaner before applying the decals. This will allow you to re-position them. Once positioned, squeegee the cleaner from under the decal. The decal will adhere when it dries. If you have air bubbles in the decals, puncture the center of each bubble with a sharp pin and push the air out. If you have creases along the outer edges of a decal (especially when applied to curved surfaces), use a hobby knife to cut along the top of the crease and overlap the edges.

MAIN DOCUMENTS BAG

Appendix 1: Body installation

Body Clip (4)



QUICK START GUIDE

The following guide is an overview of the procedures for getting your model running. The complete manual for your model can be viewed and downloaded by following the link on the cover of this manual or by scanning the QR code. Please read this entire manual for complete instructions on the proper use and maintenance of your model.

Read the Safety Precautions

For your own safety, understand where carelessness and misuse could lead to personal injury and product damage.

Prepare Your Model

Selecting a charger and batteries for your model

Your model does not include a battery or charger. The speed control in the model is compatible with both LiPo and NiMH batteries. One NiMH or 2s LiPo battery equipped with a Traxxas High Current connector is required. **Traxxas Power Cell iD batteries are strongly recommended for maximum performance and safer charging.** The following chart lists available Power Cell batteries for your model:

LiPo Batteries with iD

2843X 5800mAh 7.4V 2-Cell 25C LiPo Battery

2869X 7600mAh 7.4V 2-Cell 25C LiPo Battery

NiMH Batteries with iD

2923X Battery, Power Cell, 3000mAh (NiMH, 7-C flat, 8.4V)

2940X Battery, Series 3 Power Cell, 3300mAh (NiMH, 7-C flat, 8.4V)

2950X Battery, Series 4 Power Cell, 4200mAh (NiMH, 7-C flat, 8.4V)



WARNING: FIRE HAZARD!

Users of Lithium Polymer (LiPo) batteries must read the Warnings and Precautions beginning on page 2. You **MUST** use a LiPo balance charger for LiPo batteries or battery damage with the potential for fire will result.

Make certain you choose the correct type of charger for the batteries you select. Traxxas recommends you choose a genuine Traxxas EZ-Peak® iD charger for safer charging and maximum battery life and performance.

Charger	Part No.	NiMH Compatible	LiPo Compatible	Battery iD	Max. Cells
EZ-Peak Plus, 4 amps	2970	YES	YES	YES	3s
EZ-Peak Live, 12 amps	2971	YES	YES	YES	4s
EZ-Peak Dual, 8 amps	2972	YES	YES	YES	3s
EZ-Peak Live Dual, 26 amps	2973	YES	YES	YES	4s
EZ-Peak Plus 4s, 8 amps	2981	YES	YES	YES	4s

Install batteries in the transmitter

The transmitter requires 4 AA alkaline or rechargeable batteries.



Install the battery pack in the model

Place the battery in the tray. Insert the hold-down into the chassis as shown. Secure by placing the clip into the post.

Compatible batteries:

- 6-7 cell NiMH
- 2-cell LiPo



ATTENTION: USERS OF LiPo BATTERIES

Activate Low-Voltage Detection when using LiPo batteries. Refer to the EZ-Set Tips card attached to your model, or see the Electronic Speed Control Adjustments section of this guide.

Turning on Your Model

Turn on the transmitter

Always turn the transmitter on first, before turning on the model. The transmitter's LED will glow green.

Plug the battery into the speed control

Align the + and - markings. Make certain the battery plug is completely inserted.

Turn on the model

Press and release the EZ-Set button on the speed control. The speed control's LED will glow.



Before Operating Your Model

Check servo operation

Confirm the model's wheels turn right and left when the transmitter steering wheel is turned right and left. The front wheels should be pointing straight ahead. If they are turned slightly, slowly adjust the steering trim control on the transmitter until they are pointing straight ahead.

Range test the radio system

With a friend's help, check servo operation at the farthest distance you plan to drive the model and confirm that there is no radio interference.

Operating Your Model

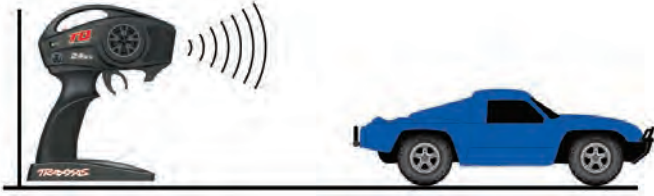


Note: After stopping the model, return the transmitter's trigger to neutral and push up again to activate reverse throttle.

QUICK START GUIDE

! Avoid running your model in tall grass or soft sand. These will strain the power system and could damage the motor. If the model becomes stuck, do not apply throttle. Free the model before operating it.

i The TQ 2.4GHz transmitter has a directional antenna. For maximum range, hold the transmitter upright and pointed in the direction of the model. Pointing the transmitter away from the model will reduce radio range.



Transmitter Adjustments



Steering Trim

Slowly turn the steering trim knob to precisely set the steering neutral point. To adjust, drive the vehicle forward slowly while "steering" with the trim knob until the vehicle travels in a straight line with no steering input.

Electronic Speed Control Adjustments

ATTENTION: IF USING A LiPo BATTERY

To prevent over-discharging of LiPo batteries, Low-Voltage Detection must be switched on. To check the status of your model, turn it on. If the speed control's LED is green, Low-Voltage Detection is already activated. If the LED is red, Low-Voltage Detection is not active. Follow these steps to turn on Low-Voltage Detection:

1. Turn the model on. Make sure the LED on the speed control is on and red.
2. Press and hold the EZ-Set button for ten seconds. The LED will turn off and then light green, and the motor will beep twice. Release the button.
3. Low-Voltage Detection is now ACTIVATED.



LiPo batteries are intended only for the most advanced users that are educated on the risks associated with LiPo battery use.

To disable Low-Voltage Detection when using NiMH batteries, repeat the steps above. The motor will beep three times and the LED will glow red.



WARNING: FIRE HAZARD!

Do not use LiPo batteries in this vehicle with Low-Voltage Detection disabled.

Selecting a Throttle Mode: SPORT, RACE, or TRAINING

1. Connect a fully charged battery to the model and turn on your transmitter.
2. With the model off, press and hold the EZ-Set button until the LED turns solid green, then solid red, and then begins blinking red. It will blink once, then twice, then three times, then repeat.

One blink = Sport Mode is the default setting. It allows full forward and reverse throttle.

Two blinks = Race Mode removes reverse throttle in case your track does not allow it.

Three blinks = Training Mode will slow the model down by 50% for young or inexperienced drivers.

3. Release the EZ-Set button after the number of blinks for the mode you wish to select. **Note:** If you missed the mode you wanted, keep the EZ-Set button pressed down and the blink cycle will repeat.
4. The LED will blink and then turn solid green (Low-Voltage Detection ACTIVE) or red (Low-Voltage Detection DISABLED). The model is now ready to drive.

Calibrating the Speed Control

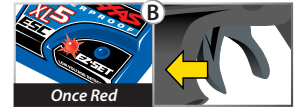
The speed control is calibrated at the factory. If the LED on the speed control is flashing green, then follow these steps to recalibrate it.

1. Connect a fully charged battery to the model.
2. Turn on the transmitter (with the throttle at neutral).

3. Press and hold the EZ-Set button (A). The LED will first turn green and then red. Release the EZ-Set button.



4. When the LED blinks RED ONCE, pull the throttle trigger to the full throttle position and hold it there (B).



5. When the LED blinks RED TWICE, push the throttle trigger to the full reverse and hold it there (C).



6. When the LED blinks GREEN ONCE, programming is complete. The LED will then shine green or red (depending on Low-Voltage Detection setting).

Running in Wet Conditions

Your Traxxas model is designed with water-resistant features to protect the electronics in the model (receiver, servos, electronic speed control). Though highly water resistant, the model should not be treated as though it is submersible or totally, 100% waterproof. Water resistance applies only to the installed electronic components. Running in wet conditions requires additional care and maintenance to prevent corrosion and maintain proper function. Download the complete manual for full precautions and maintenance requirements. Read and understand all precautions before operating your model in wet conditions. The complete manual for your model can be viewed and downloaded by following the link on the cover of this manual or by scanning the QR code. Please read this entire manual for complete instructions on the proper use and maintenance of your model.

Gearing

Your model may include additional gears. These gears are for maximum-speed running on hard surfaces only. Using the high-speed gearing for general driving and off-road driving may overheat the motor, speed control, or battery. For full instructions on installing and using the high-speed gearing, download the complete manual. The complete manual for your model can be viewed and downloaded by following the link on the cover of this manual or by scanning the QR code. Please read this entire manual for complete instructions on the proper use and maintenance of your model.

After You Run Your Model

Turn the model off

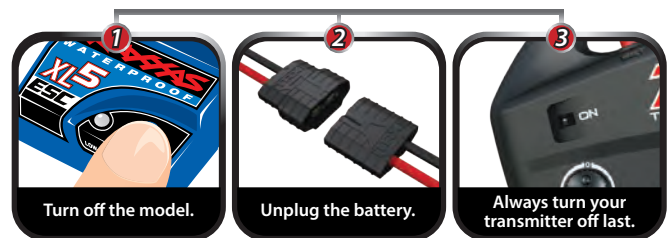
Press and release the EZ-Set button on the speed control. The speed control's LED will go out.

Unplug the battery and remove it from the model

Do not store the model with the battery installed.

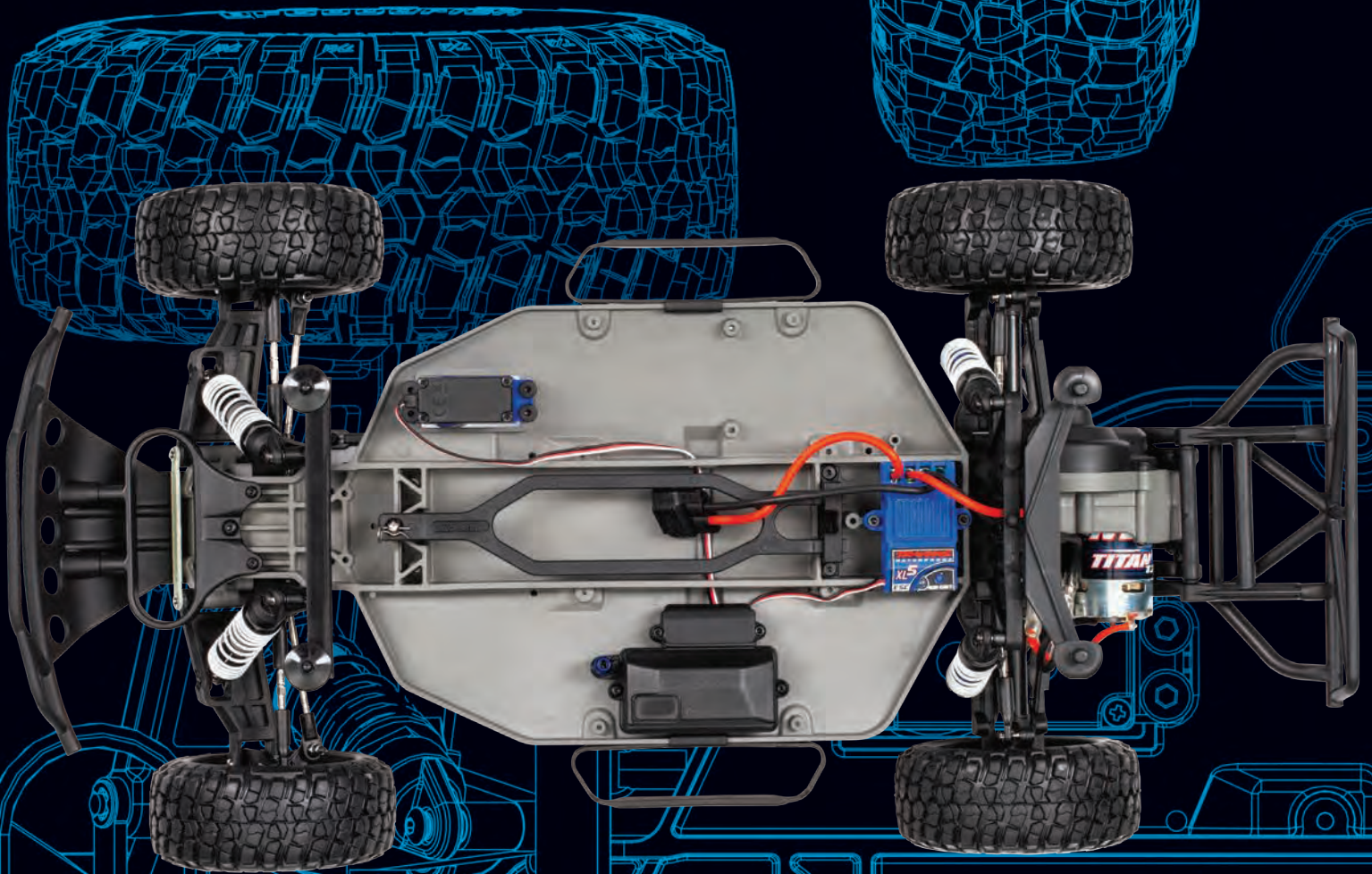
Turn the transmitter off

Always turn the transmitter off last, after the model has been turned off.



SLASH

ASSEMBLY MANUAL



MODEL 58014-4

TRAXXAS

6250 TRAXXAS WAY, MCKINNEY, TEXAS 75070
1-888-TRAXXAS