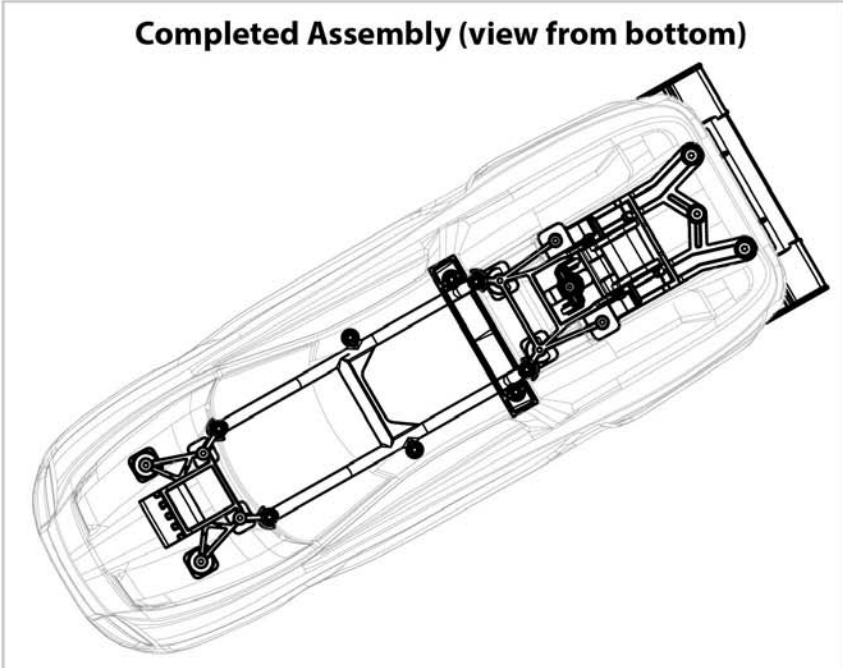
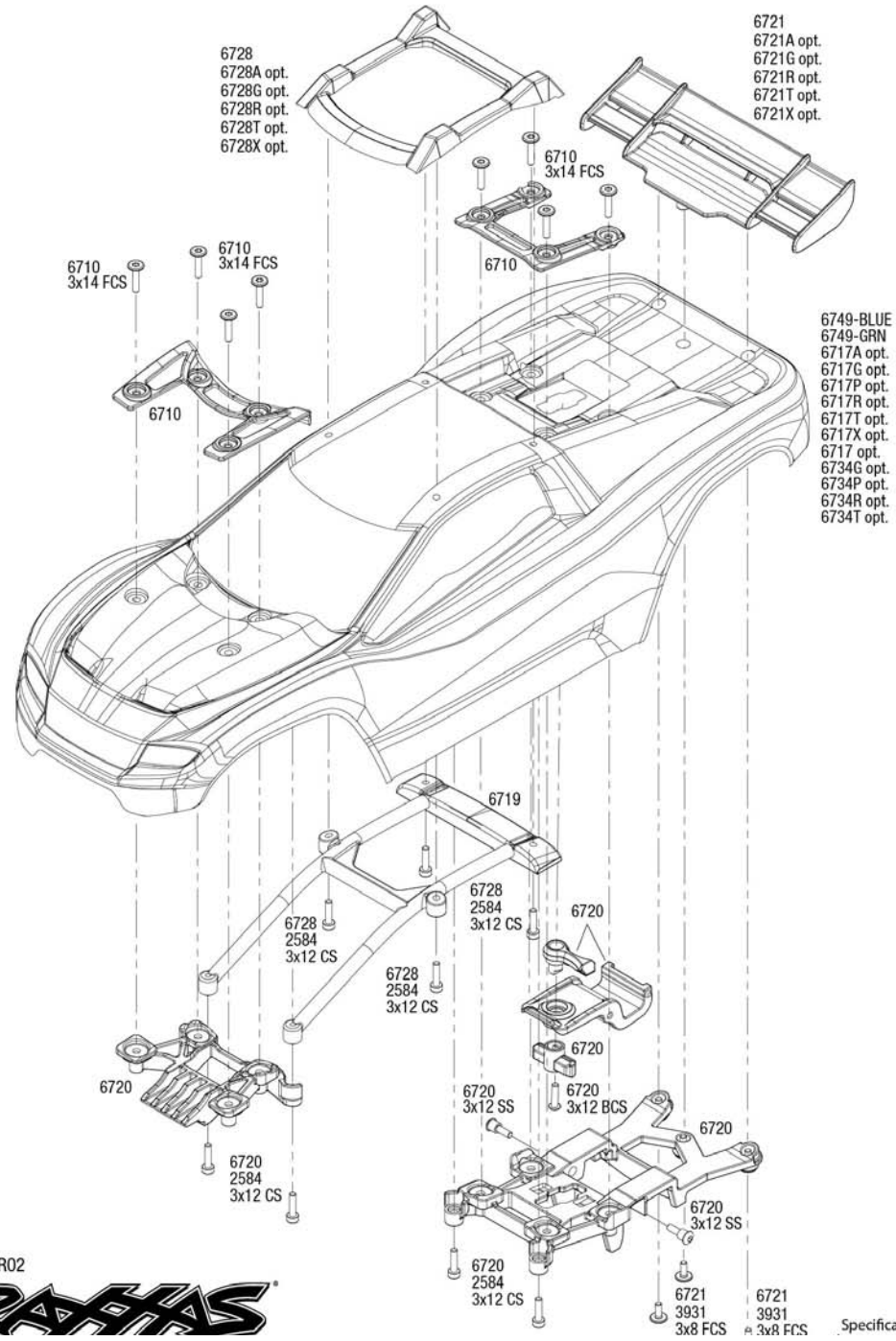


# RUSTLER 4x4 ULTIMATE

## Body Assembly



REV 230809-R02



Specifications on this page are subject to change without notice. Every attempt has been made to ensure

See Parts List for a complete