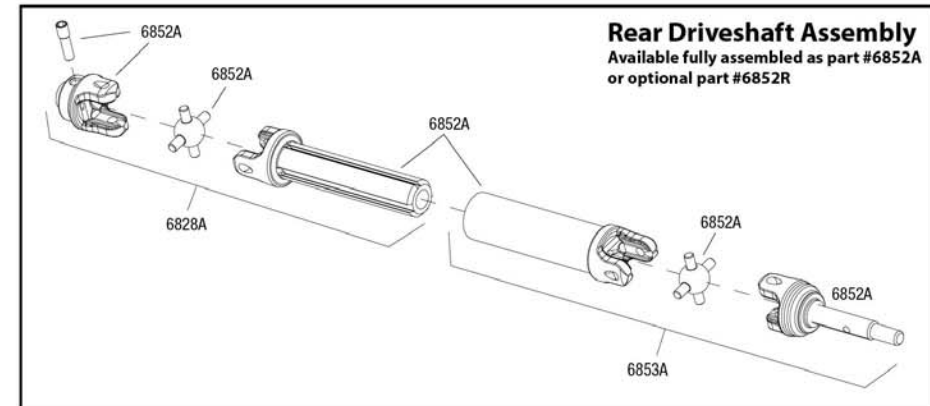
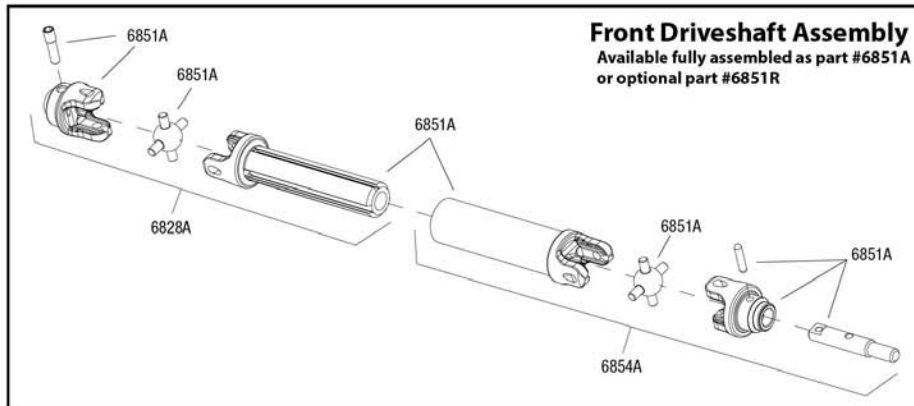
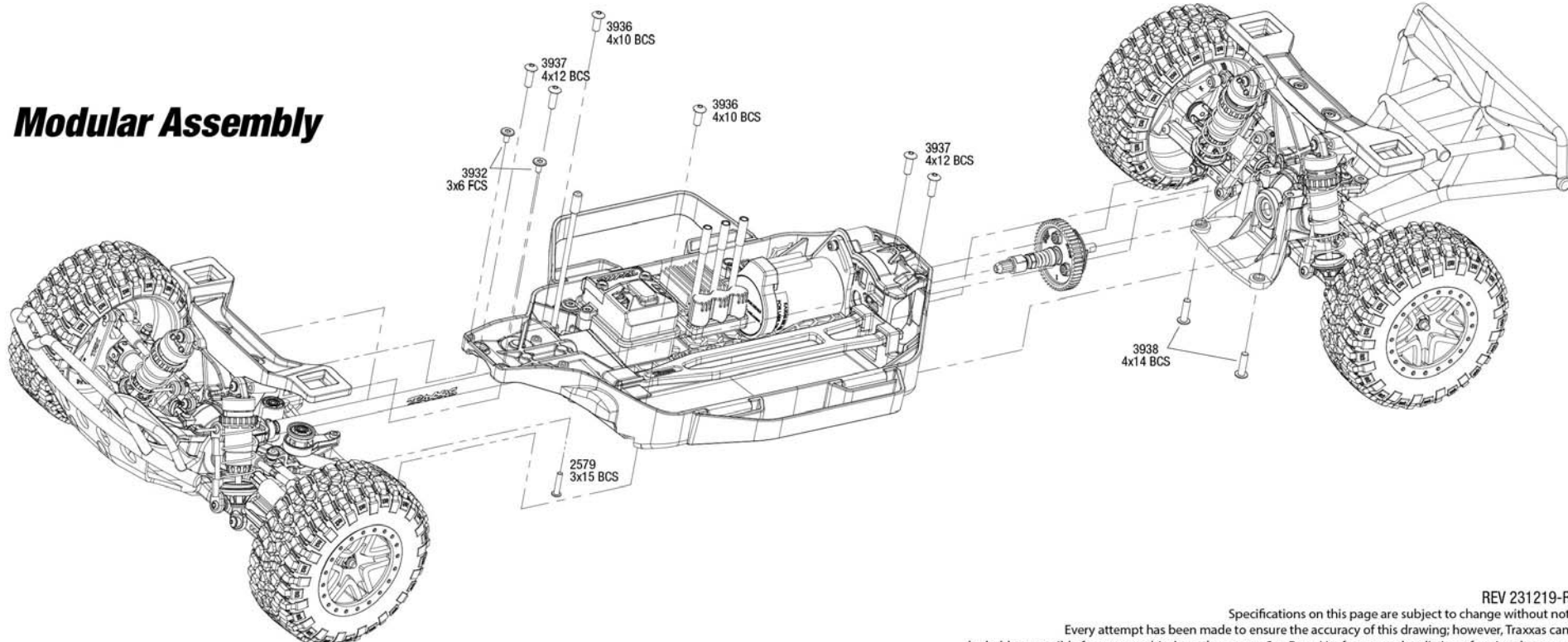


**SLASH 4X4
ULTIMATE****TRAXXAS**

Driveshafts



Modular Assembly



REV 231219-R02

Specifications on this page are subject to change without notice.
Every attempt has been made to ensure the accuracy of this drawing; however, Traxxas cannot